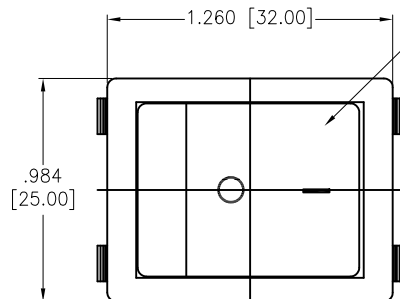
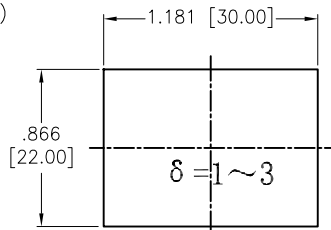


APPROVED: _____
 DATE: _____ TITLE: _____

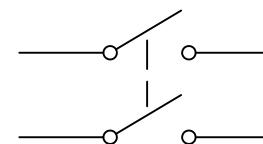
Rev	AWO #	Description	Date	Appr
-		RELEASED	9/2/21	



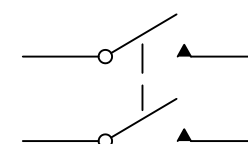
SOLID COLOR WITH WHITE MARKINGS (See Chart)



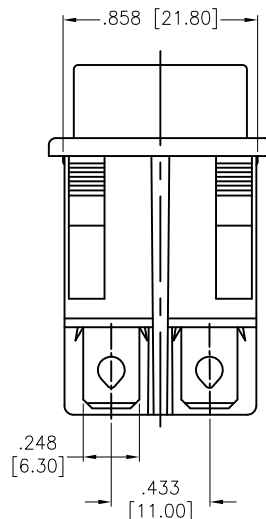
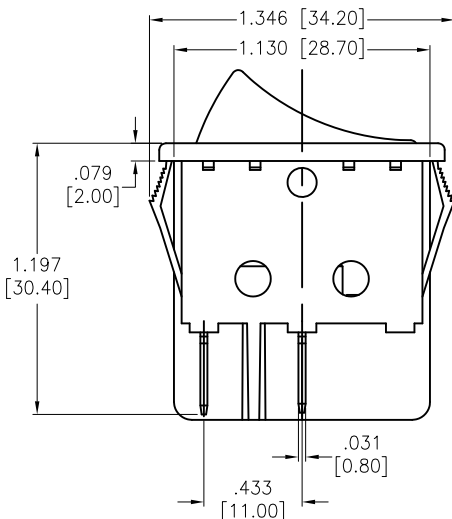
RECOMMENDED PANEL CUT-OUT



CIRCUIT DIAGRAM (DPST) ON-OFF



CIRCUIT DIAGRAM (DPST) (OFF)-ON



A=ON-OFF
 C=OFF-(ON)
 SW-R1-3X-E-XX-2

	Actuator Color
BLANK	Standard Black
W	White
R	Red
G	Green
Y	Yellow (Amber)
B	Blue
O	Orange

	Actuator Markings
1	
2	
3	
4	
5	

SPECIFICATIONS:

Body: Nylon 66, Color Black, Rated UL 94V-0

Terminal: Brass, Silver plated

Button: Nylon 66, Solid color, White color markings. (See Chart)

Electrical:

The rated load: 250V AC, 16 A

125V AC, 20 A

Contact resistance: 50 mohms max

Insulation resistance: 100 Mohms min

Dielectric withstanding voltage: 1500 VAC/5S min

Mechanical:

Electrical life: 10000 Cycles min

Temperature Rating:

Operating temperature: -25°C to +85°C

Environmental:

Lead free, RoHS compliant



Replace "x" in P/N with the corresponding switch color and marking

UNLESS OTHERWISE SPECIFIED
 ALL DIMENSIONS ARE INCHES [MM]
 TOLERANCES: EXCEPT AS NOTED
 INCHES HOLES
 .X ± .10 Ø.X ± .10
 .XX ± .020 Ø.XX ± .015
 .XXX ± .015 Ø.XXX ± .010



909 Rahway Avenue,
 Union, NJ 07083
 Phone: 908-687-5000
 Fax: 908-687-5710

TITLE SWITCH, MEDIUM ROCKER, DPST,
 ON-OFF, (OFF)-ON, QC .250 [6.35MM]

APPROVALS		DATE
DRAWN	WX	9/2/21
CHECKED	RC	9/2/21
APPROVED		

SIZE X	PART NO. SW-R1-3X-E-XX-2	REV. -
REF: S00206C	SCALE: NTS	SHEET 1 OF 1