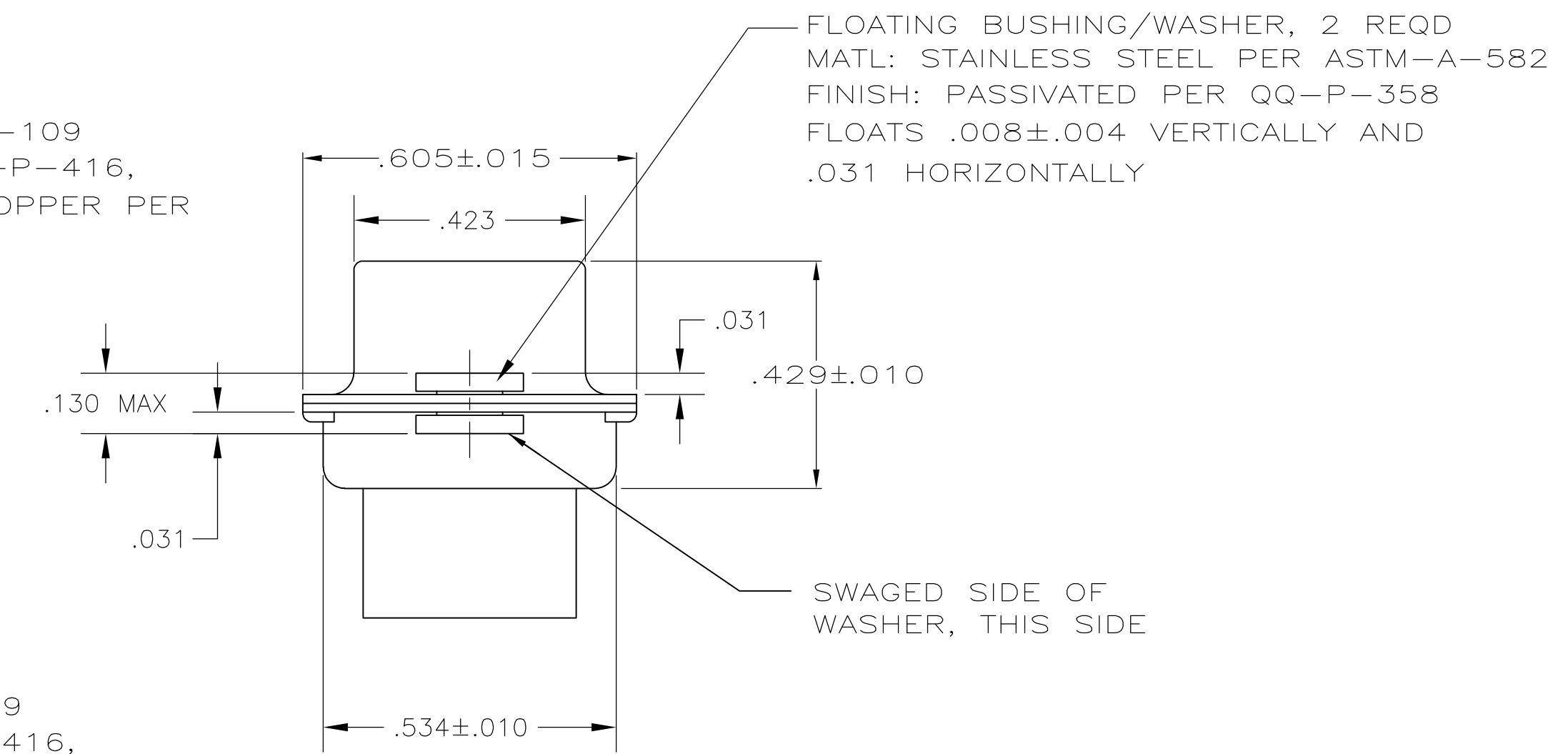
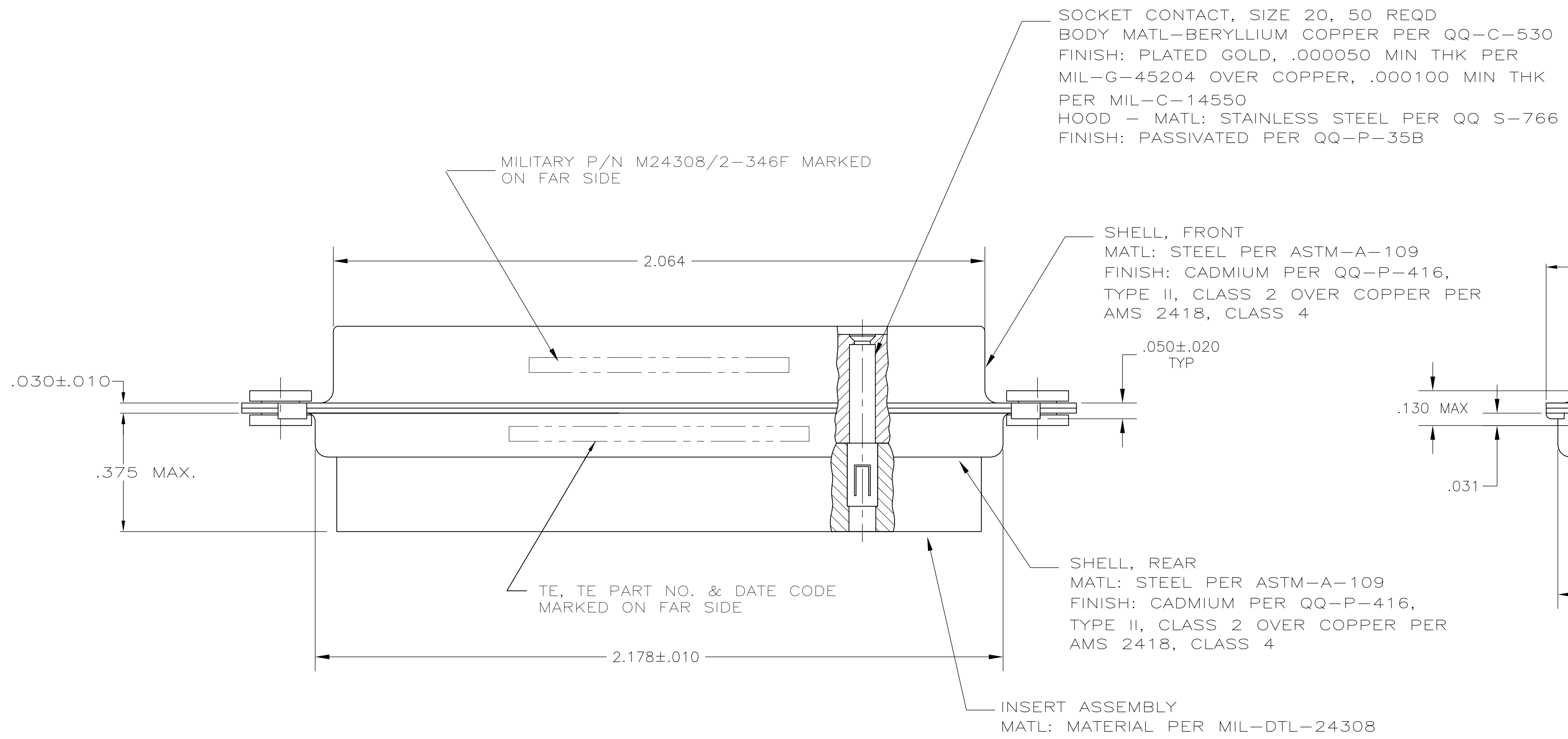
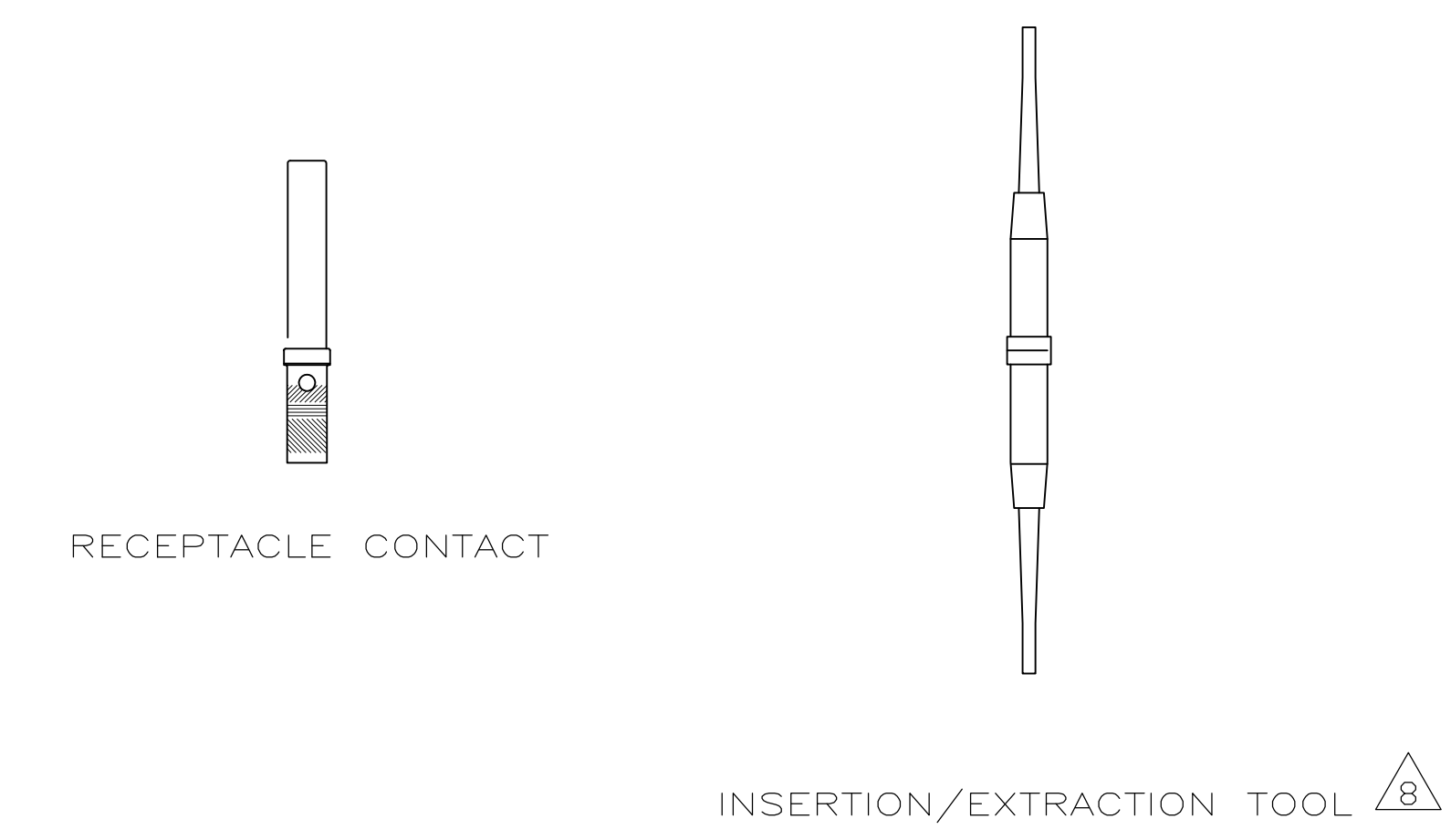
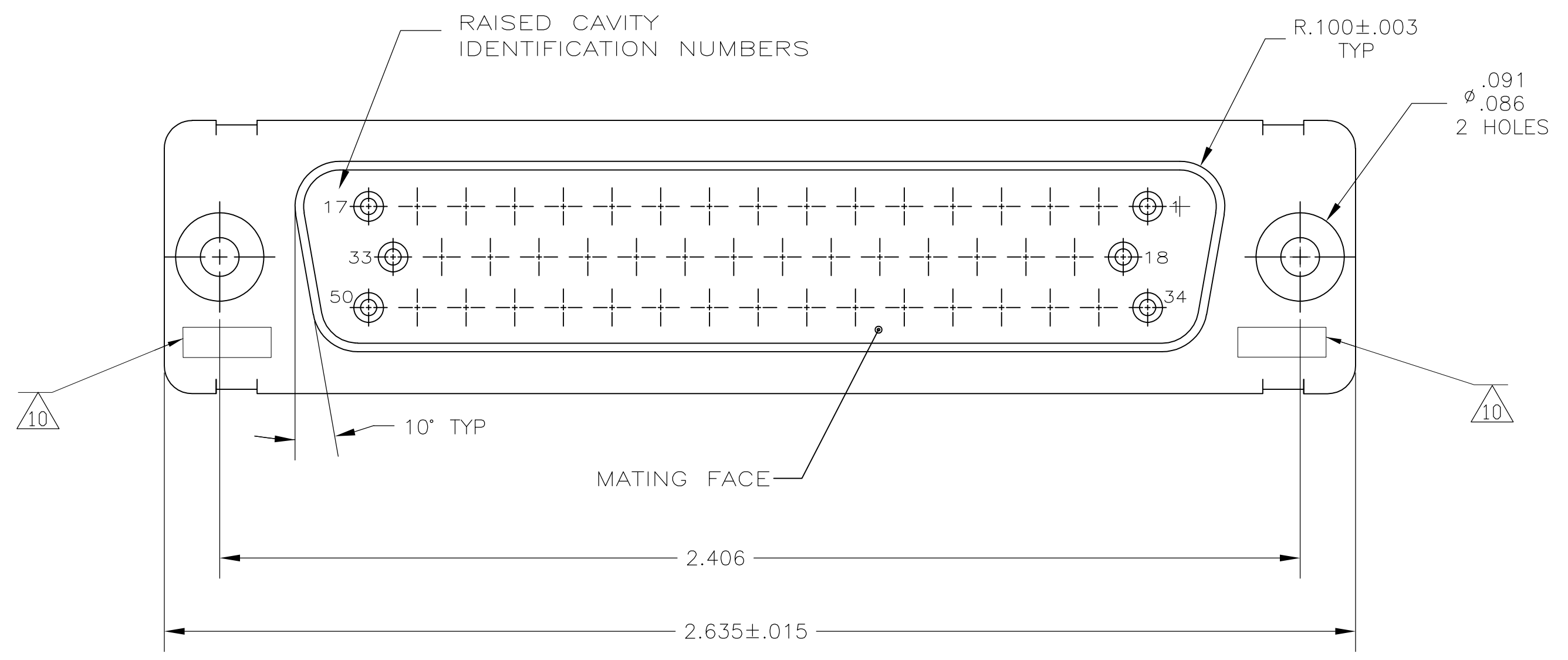


| LOC | | DIST | | REVISIONS | | | |
|-----|-----|---------------------------|---------|-----------|------|--|--|
| P | LTR | DESCRIPTION | DATE | DMN | APVD | | |
| F | | REVISED PER ECO-15-017709 | 30DEC15 | KG | CD | | |



- THIS RECEPTACLE WILL MATE WITH ANY 50 POSN, SIZE 5 PLUG IN AMPLIMITE SERIES
- MAXIMUM WIRE INSULATION TO BE USED WITH THIS RECEPTACLE IS .068 DIA
- SST RETENTION CLIPS ARE INCLUDED IN INSERTS
- PACKAGE STAMPED M24308/2-486F & TE PART NUMBER 211529-1
- PACKAGE STAMPED M24308/2-346F & TE PART NUMBER 211529-2
- PACKAGE STAMPED M24308/2-357F & TE PART NUMBER 211529-3
- TE P/N 205090-1, MIL P/N 63-368, INCLUDED IN KIT
- TE P/N 91067-2, MIL P/N M81969/1-02
- CONNECTOR SUPPLIED WITHOUT CONTACTS, SHOWN FOR ILLUSTRATION ONLY
- UL/CSA DESIGNATION STAMPED IN THIS AREA.
- FOR CONNECTOR ASSEMBLIES, TE CONTACT PART NOS. 205090-1 MUST BE ORDERED SEPARATELY. CONNECTORS WITH CONTACTS ARE SUPPLIED WITH CONTACT 205090-1

| DESCRIPTION | PART NO. |
|--|----------|
| SAME AS -1 EXCEPT $\triangle 6 \triangle 7 \triangle 8 \triangle 11$ | 211529-3 |
| SAME AS -1 EXCEPT $\triangle 5 \triangle 7 \triangle 11$ | 211529-2 |
| AS SHOWN $\triangle 4 \triangle 9 \triangle 11$ | 211529-1 |

THIS DRAWING IS A CONTROLLED DOCUMENT.

| | | | | |
|--------------------|--|------------------------------|-------------------------------|--|
| DIMENSIONS: INCHES | TOLERANCES UNLESS OTHERWISE SPECIFIED: | DIN MANJUNATH G.M. 27-May-15 | APVD CHARLES THOMAS 27-May-15 | NAME RECEPTACLE ASSEMBLY, AMPLIMITE, 50 POSITION, SIZE 5, SERIES 109, W/DUAL FLOATING BUSHINGS |
| 0. PLC ± - | 1. PLC ± - | 2. PLC ± - | 3. PLC ± .005 | 4. PLC ANGLES ± - |
| MATERIAL | FINISH | WEIGHT | SIZE A1 | CAGE CODE 00779 |
| CUSTOMER DRAWING | | SCALE 4:1 | SHEET 1 OF 1 | REV F |

STE TE Connectivity