

EMG 45-DIO 8E/LP


Order No.: 2954798



<http://eshop.phoenixcontact.de/phoenix/treeViewClick.do?UID=2954798>

Lamp test module, 2 diodes with common cathode: with 4 pairs, for individual wiring



| Commercial data | |
|--------------------------|--|
| GTIN (EAN) |  4 017918 085131 |
| sales group | H101 |
| Pack | 5 pcs. |
| Customs tariff | 85411000 |
| Catalog page information | Page 665 (IF-2009) |

Product notes

WEEE/RoHS-compliant since:
06/07/2007



<http://www.download.phoenixcontact.com>
Please note that the data given here has been taken from the online catalog. For comprehensive information and data, please refer to the user documentation. The General Terms and Conditions of Use apply to Internet downloads.

Technical data

| General data | |
|------------------------------------|----------------------|
| Max. operating voltage | 250 V AC |
| Peak reverse voltage per diode | 1300 V |
| Reverse current per diode | $\leq 5 \mu\text{A}$ |
| Conducting state voltage per diode | Approx. 0.8 V |

| | |
|---|---|
| Conducting state current per diode | 0.7 A (with single load) |
| | 0.4 A (with simultaneous loads) |
| Width | 45 mm |
| Height | 75 mm |
| Depth | 55 mm |
| Ambient temperature (operation) | -20 °C ... 50 °C |
| Ambient temperature (storage/transport) | -40 °C ... 70 °C |
| Pollution degree | 2 |
| Surge voltage category | III, basic insulation (as per EN 50178) |
| Mounting position | Any |
| Assembly instructions | In rows with zero spacing |

Connection data

| | |
|--|---------------------|
| Conductor cross section solid min. | 0.2 mm ² |
| Conductor cross section solid max. | 4 mm ² |
| Conductor cross section stranded min. | 0.2 mm ² |
| Conductor cross section stranded max. | 2.5 mm ² |
| Conductor cross section AWG/kcmil min. | 24 |
| Conductor cross section AWG/kcmil max | 12 |
| Stripping length | 8 mm |
| Screw thread | M3 |
| Type of connection | Screw connection |

Certificates / Approvals



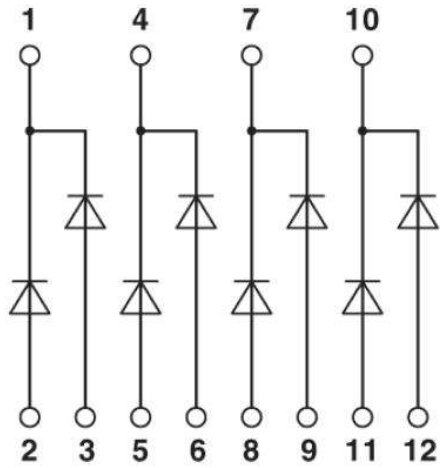
Certification GOST

Accessories

| Item | Designation | Description |
|----------------|-------------|-------------------------------|
| Marking | | |
| 2947035 | EMG-GKS 12 | Equipment marker, width 12 mm |

Diagrams/Drawings

Circuit diagram



Address

PHOENIX CONTACT Deutschland GmbH
Flachmarktstr. 8
32825 Blomberg, Germany
Phone +49 5235 3 12000
Fax +49 5235 3 41200
<http://www.phoenixcontact.de>



© 2011 Phoenix Contact
Technical modifications reserved;