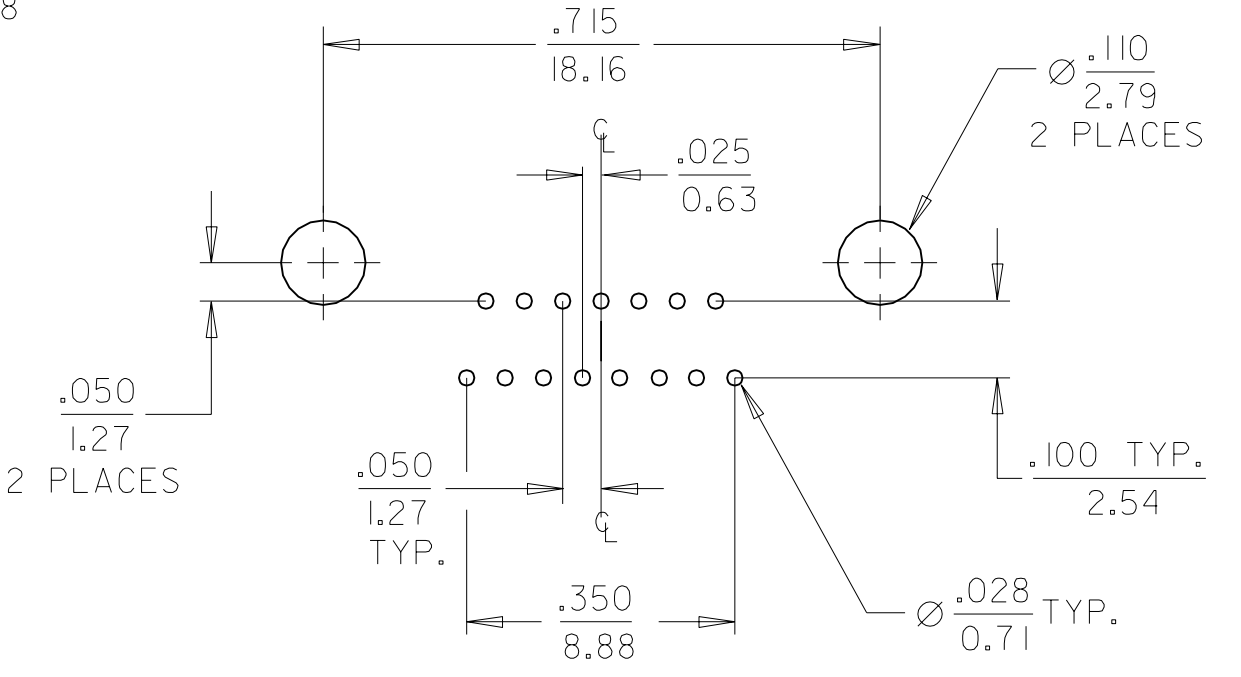
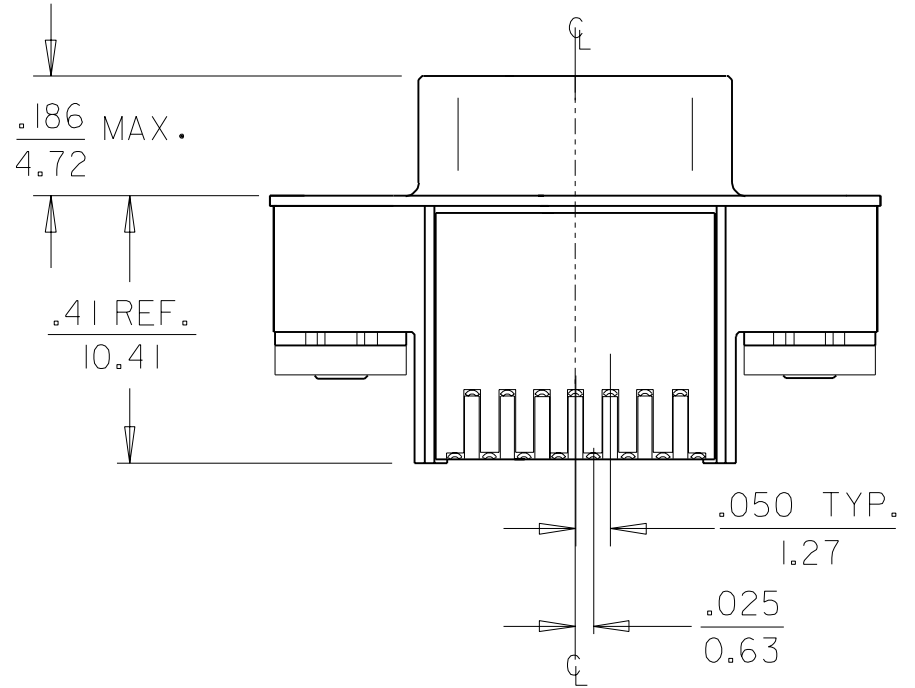
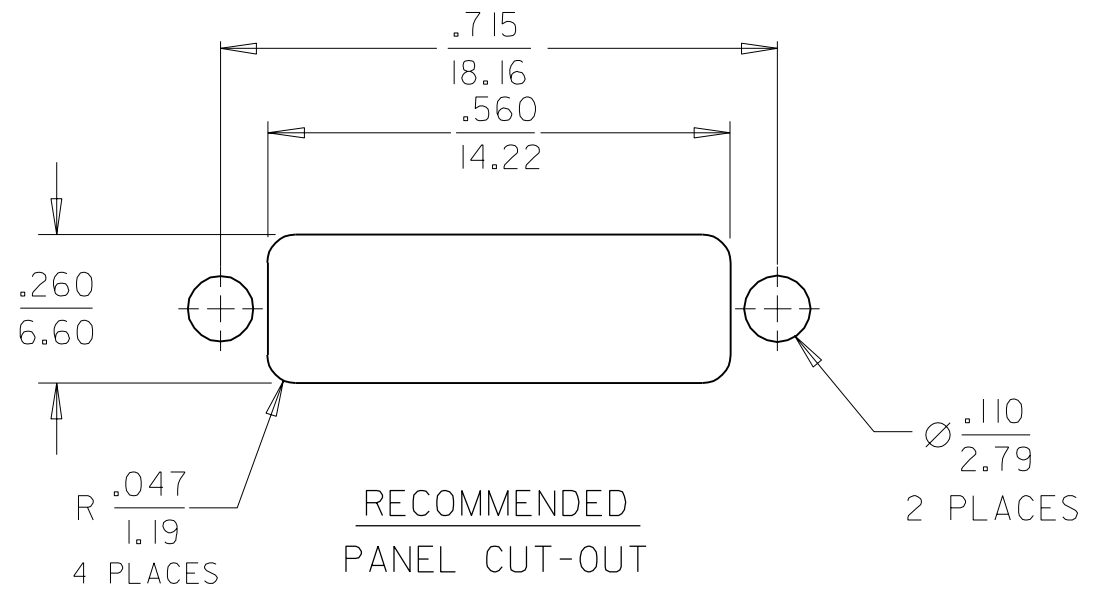
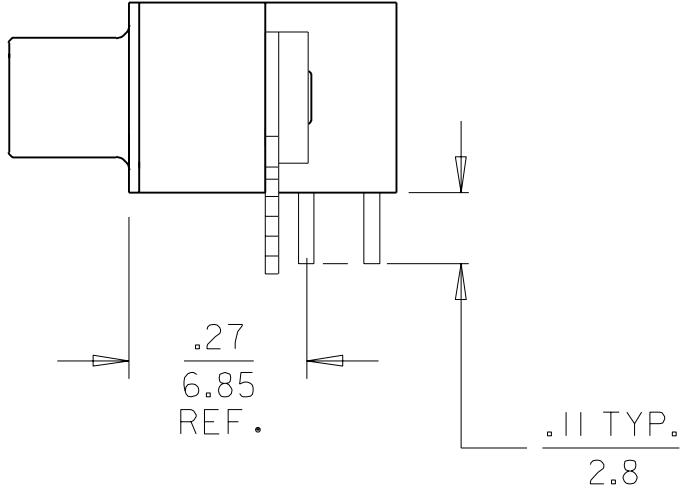
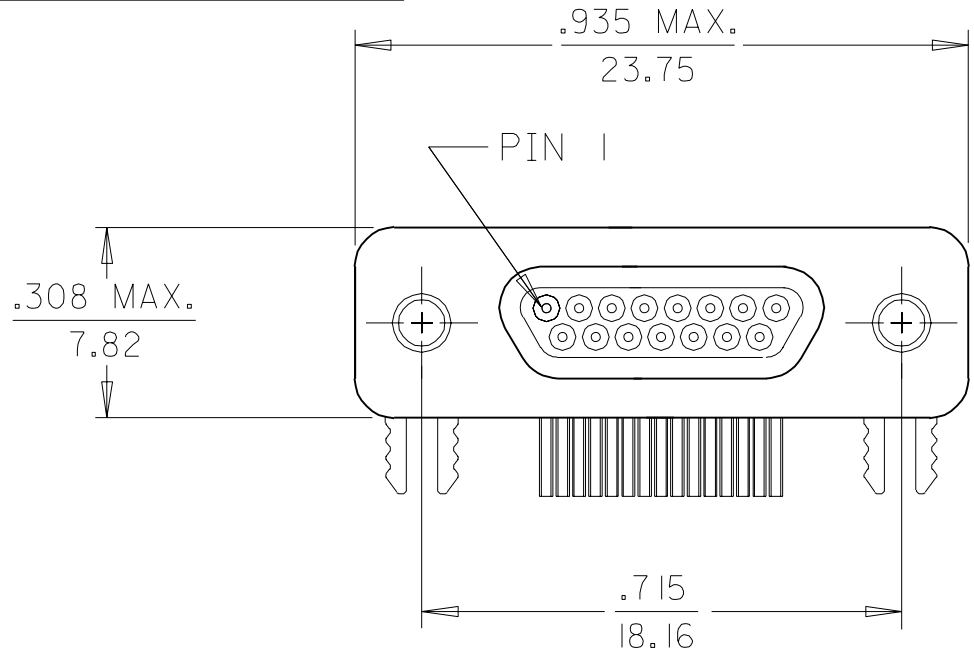


MATERIAL NO.	ENG. NO.
836129203	83612-9203



SALES DRAWING

RELEASED  
 EC NO. ECT2004-0096  
 DRWN: JAL 03/11/04  
 CHK: JPP 03/11/05  
 APPR: RWD 03/11/06  
 A

QUALITY SYMBOLS	DESCRIPTION
MAJOR =∅	
CRITICAL =∅	

GENERAL TOLERANCES: (UNLESS SPECIFIED)	
	mm
4 PLACES	±0.----- ±.-----
3 PLACES	±0.--- ±.010
2 PLACES	±0.26 ±.020
1 PLACE	±0.50 ±.---
ANGULAR: ± 1°	
DRAFT WHERE APPLICABLE MUST REMAIN WITHIN DIMENSIONS	

SCALE NONE	DESIGN UNITS <input type="checkbox"/> mm <input checked="" type="checkbox"/> INCH
DRAWN BY & DATE JAL 03/11/04	
CHECKED BY & DATE JJP 03/11/05	
APPROVED BY & DATE RWD 03/11/06	
CAD FILENAME SD83612011.DGN	MATERIAL NO. (SEE CHART)

DIMENSIONS: <input type="checkbox"/> mm <input checked="" type="checkbox"/> INCH <input type="checkbox"/> mm ONLY		SHT	REV
THIRD ANGLE PROJECTION			
TITLE: CONNECTOR, COMMERCIAL-D, PLUG RIGHT ANGLE, W/O JACKPOST SIZE I5			
MOLEX INCORPORATED			
DRAWING NO. SD-83612-011		SHEET NO. 1 OF 1	
THIS DRAWING CONTAINS INFORMATION THAT IS PROPRIETARY TO MOLEX INCORPORATED AND SHOULD NOT BE USED WITHOUT WRITTEN PERMISSION.			SIZE B

2. MARKING: NONE.  
 1. REFER TO PS-83421-9000 FOR PRODUCT SPECIFICATION.  
 NOTES: UNLESS OTHERWISE SPECIFIED.