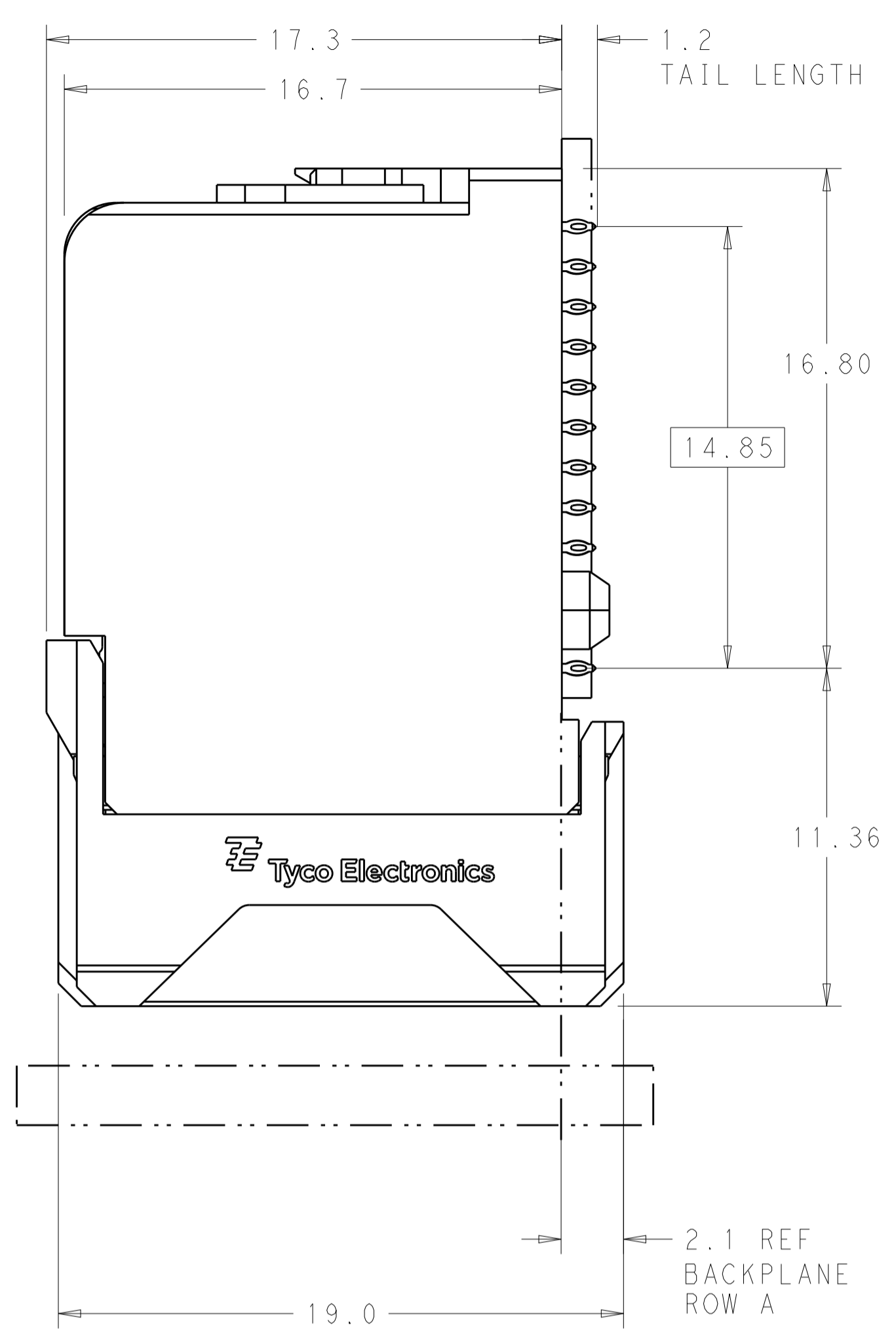
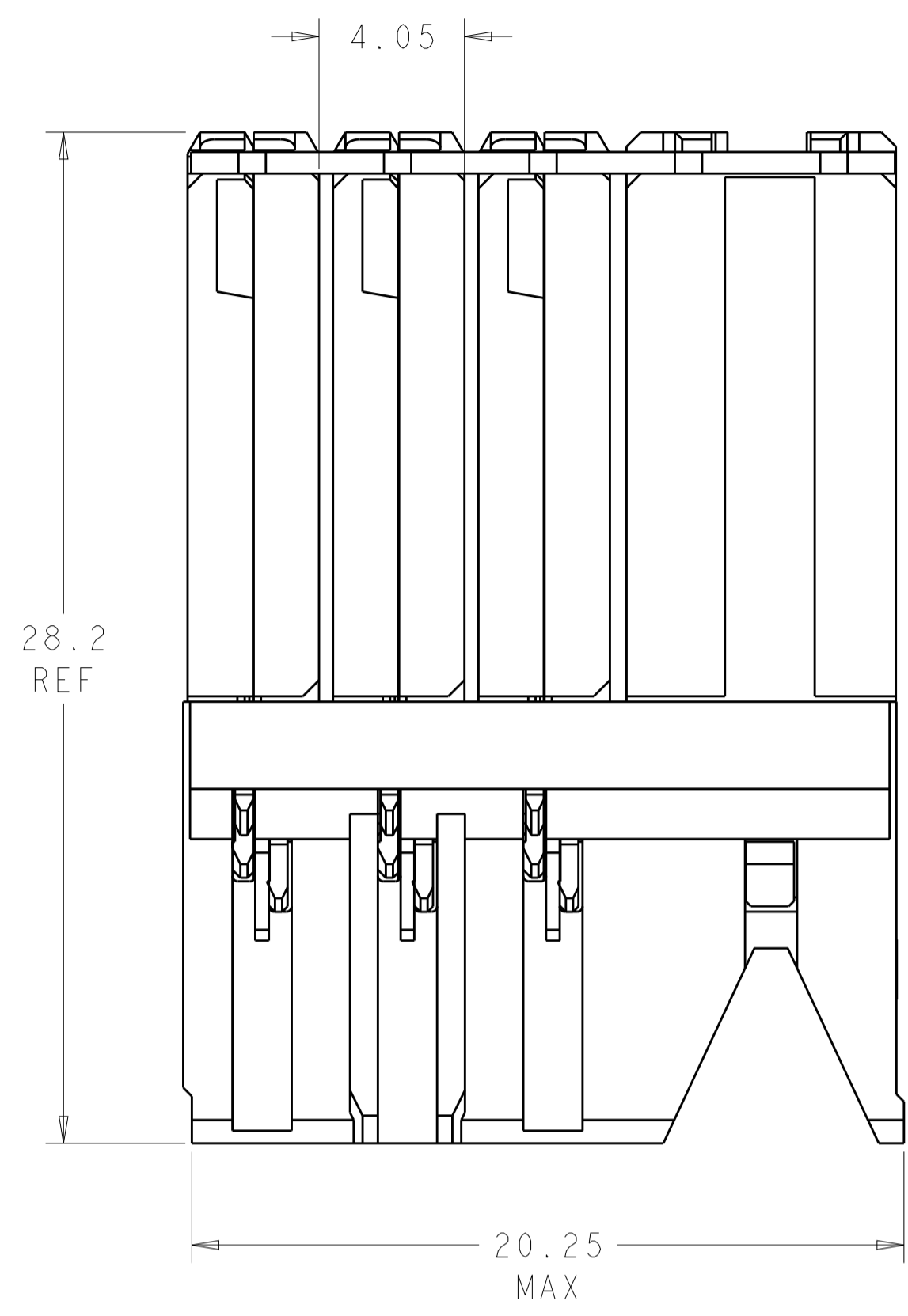
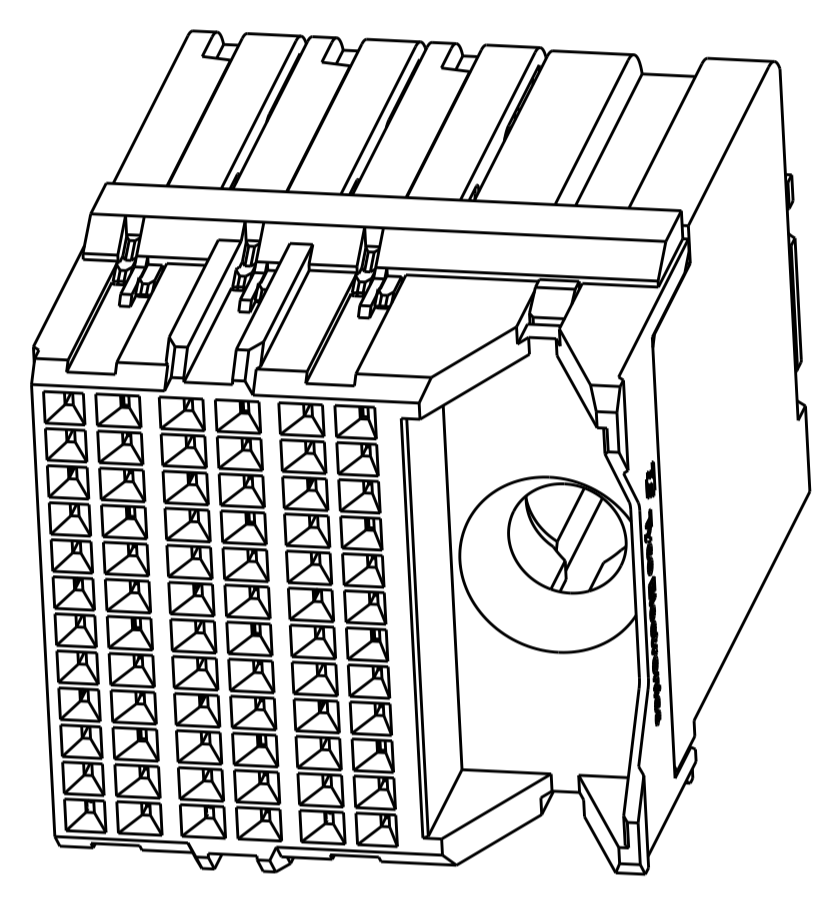


LOC	DIST	REVISIONS			
P	LTN	DESCRIPTION	DATE	DWN	APVD
A		DRAWING CREATED BY AUTOMATION PROGRAM	23MAY2015	AP	DD

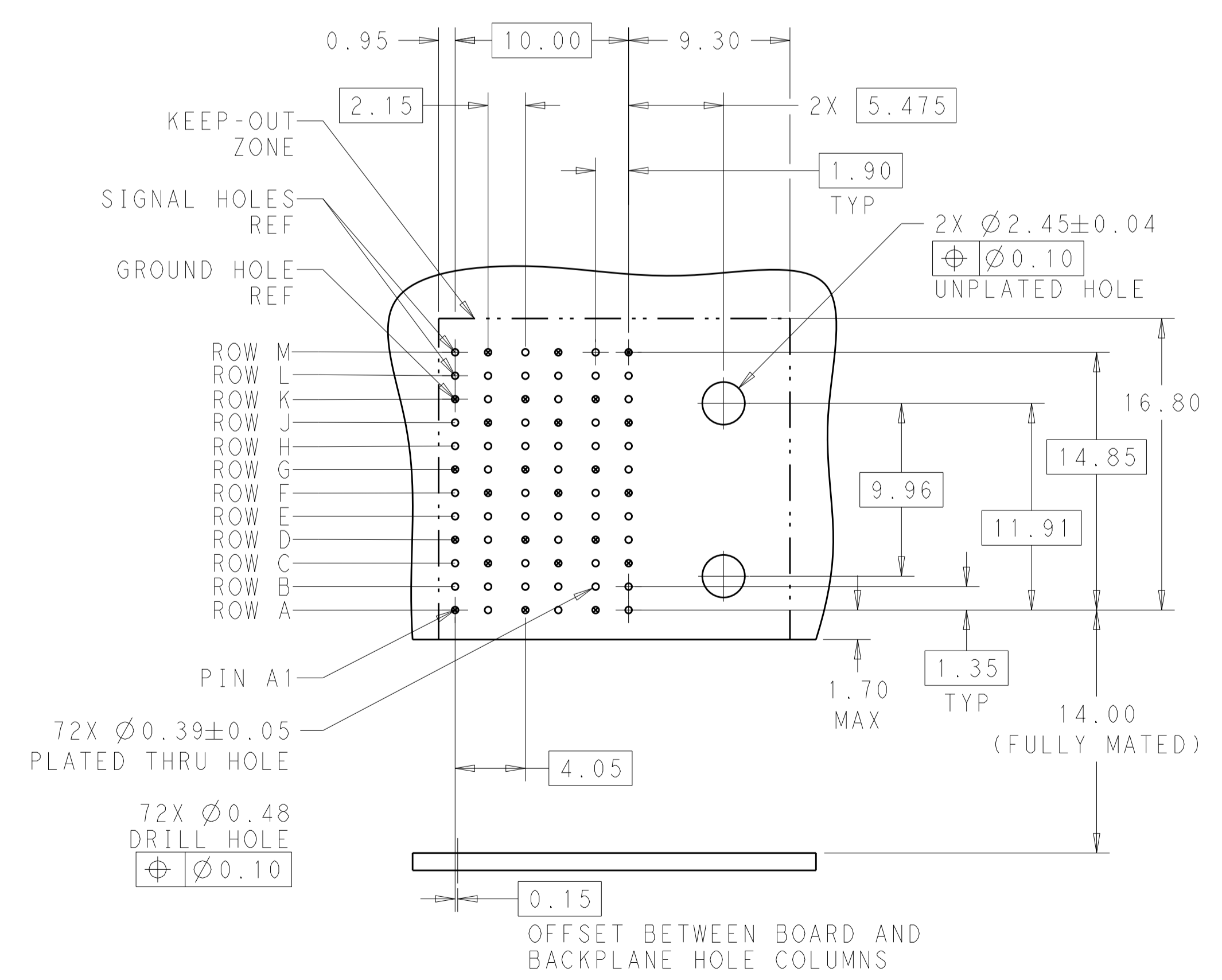
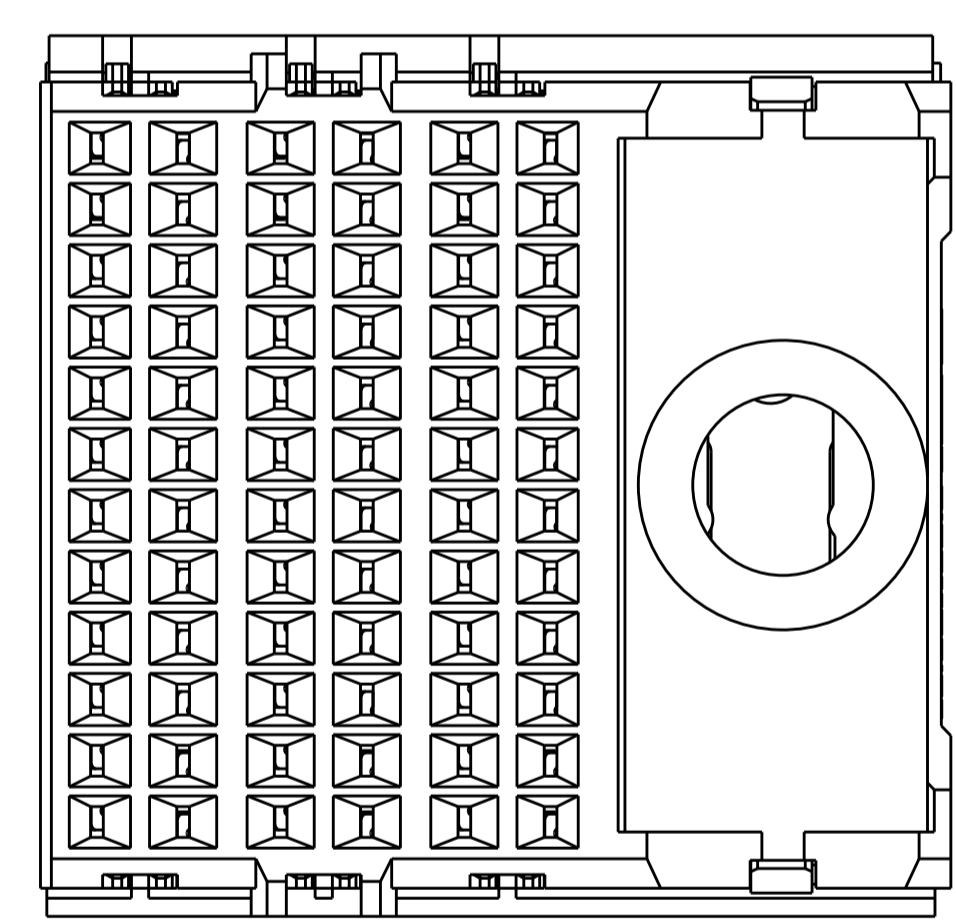


- ⚠ MATERIAL:
HOUSING: LCP, GLASS FILLED, UL94V-0.
TERMINALS: HIGH PERFORMANCE COPPER ALLOY.
- ⚠ FINISH:
30μ" SELECTIVE GOLD IN CONTACT AREA. SELECTIVE TIN ON PCB TAILS, NICKEL OVERALL.
- 3. CONNECTORS SUPPLIED WITH MOUNTING SCREWS.



SCALE 4:1

REFER TO WWW.TE.COM FOR PRODUCT AVAILABILITY



RECOMMENDED PCB LAYOUT
 MIN BOARD THICKNESS 1.0

NONE	⚠	2132462-1
KEY POSITION	FINISH	PART NUMBER

THIS DRAWING IS A CONTROLLED DOCUMENT.		DWN AJITH PAI 23MAY2015		NAME	
DIMENSIONS:		CHK D. DIXON 23MAY2015		IMPACT, ORTHOGONAL, 4 PAIR, DAUGHTERCARD, 6 COLUMN, RIGHT GUIDED SIGNAL MODULE, 0.39 EYELET.	
TOLERANCES UNLESS OTHERWISE SPECIFIED:		APVD D. DIXON 23MAY2015		PRODUCT SPEC	
mm				APPLICATION SPEC	
0 PLC ±			SIZE		
1 PLC ±0.25			CAGE CODE		
2 PLC ±0.13			DRAWING NO		
3 PLC ±			RESTRICTED TO		
4 PLC ±			A100779C=2132462		
ANGLES			WEIGHT		
FINISH			CUSTOMER DRAWING		
SEE TABLE			SCALE 4:1 SHEET 1 OF 1 REV A		