



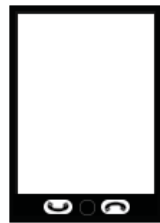
ST1 Series

Hinge Type Micro SD™ Card Connector

Connector Training Module

Application Examples

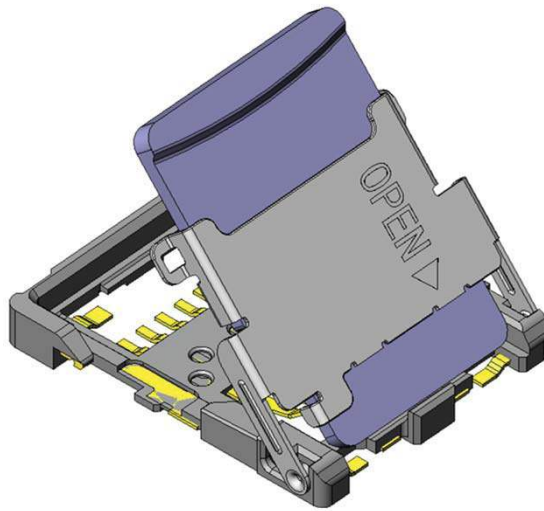
- Mobile/ Smartphone
- Digital Cameras
- E-Readers
- Various devices that use Micro SD™



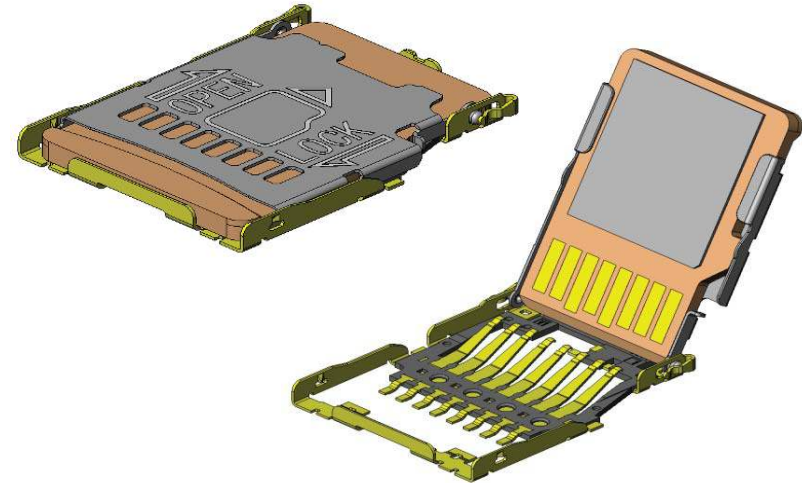
*microSD™ is a trademark of SD Card Association

ST1 Series Overview

The ST1 series connectors are one-piece type internal connectors for the microSD™ card. They are high-density, SMT, hinge style, low-profile connectors compatible with the microSD™ card, which is standardized by SDA™ as a compact memory card for various portable devices.



ST1-D



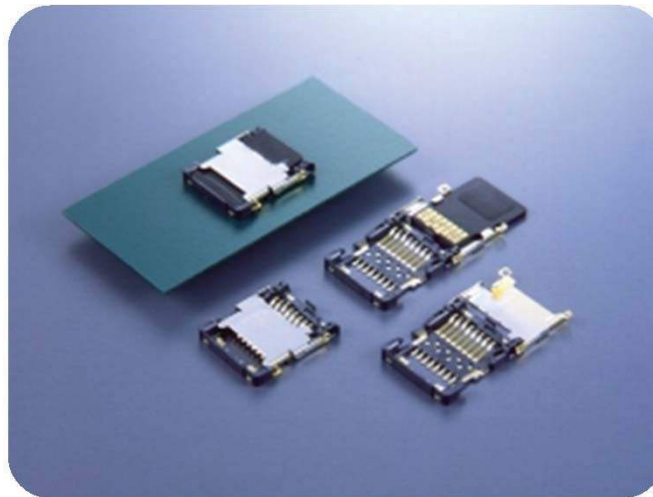
ST1-T

*microSD™ is a trademark of SD Card Association

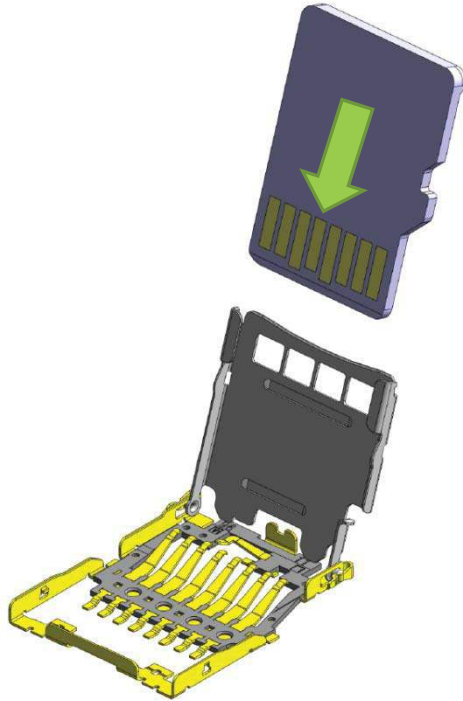
ST1 Series Features

Space-Saving, Low-Profile

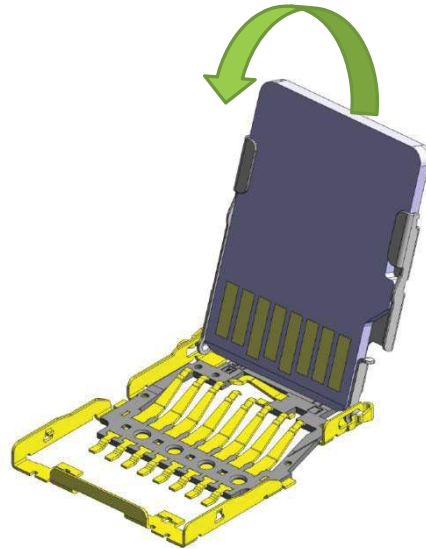
- Push-slide, hinge type connector for microSD™ memory cards
- Card detection switch option available
- Shield is secured by 4 ground connection points on the hinge cover
- Slim design to occupy minimal space
- Lock structure to enhance reliability
- Pb-free product (RoHS compliant)



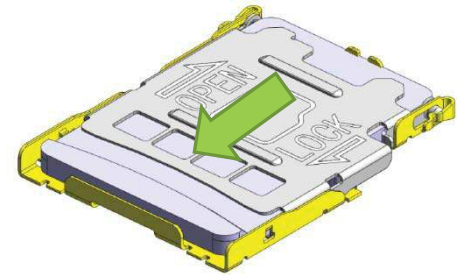
ST1 Series Features



Step 1:
Slide the card into the cover using the guide rails.



Step 2:
Rotate the hinged cover down to the closed position.



Step 3:
Slide the cover in the direction indicated on the cover to lock it in place.

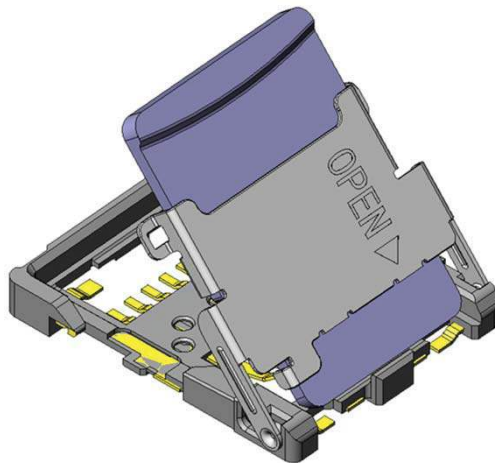
General Specifications

No. of Positions	8 + 1 (detect switch)
Dimensions (mm)*1	1.9H x 14.15W x 16.3D (D type) 1.4H x 11.9W x 15.5D (T type)
Contact resistance	100m Ω max.
Insulation Resistance	1,000m Ω max.
Dielectric Withstanding Voltage	AC500 Vr.m.s. per minute
Operating Temperature Range	-25 to + 85°C
Storage Temperature	-10 to + 60°C
Rated Current	0.5A /per pin
Rated Voltage	10V/per pin
Mating Durability	10,000 times

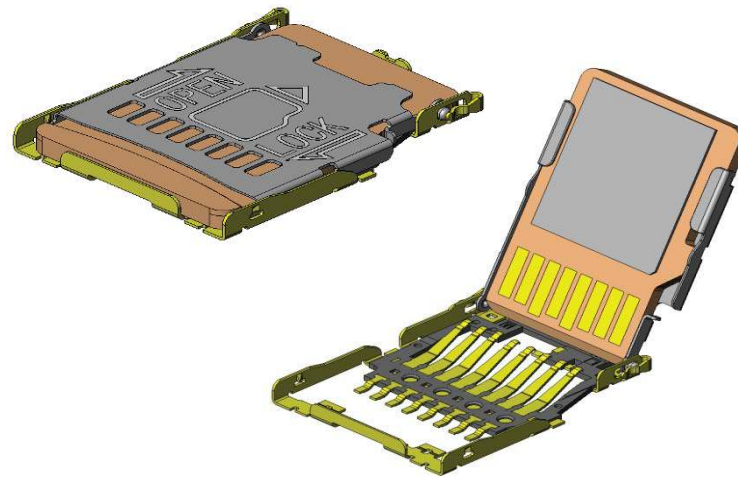
*1: Height indicates max value.

Materials and Finishes

Component	Material and Finish
Contact	Copper Alloy / Contact area: 0.5 μ m min. Au plating over Ni Terminal area: Au flash plating over Ni
Housing	Synthetic Resin / None
Cover	Stainless Steel / None



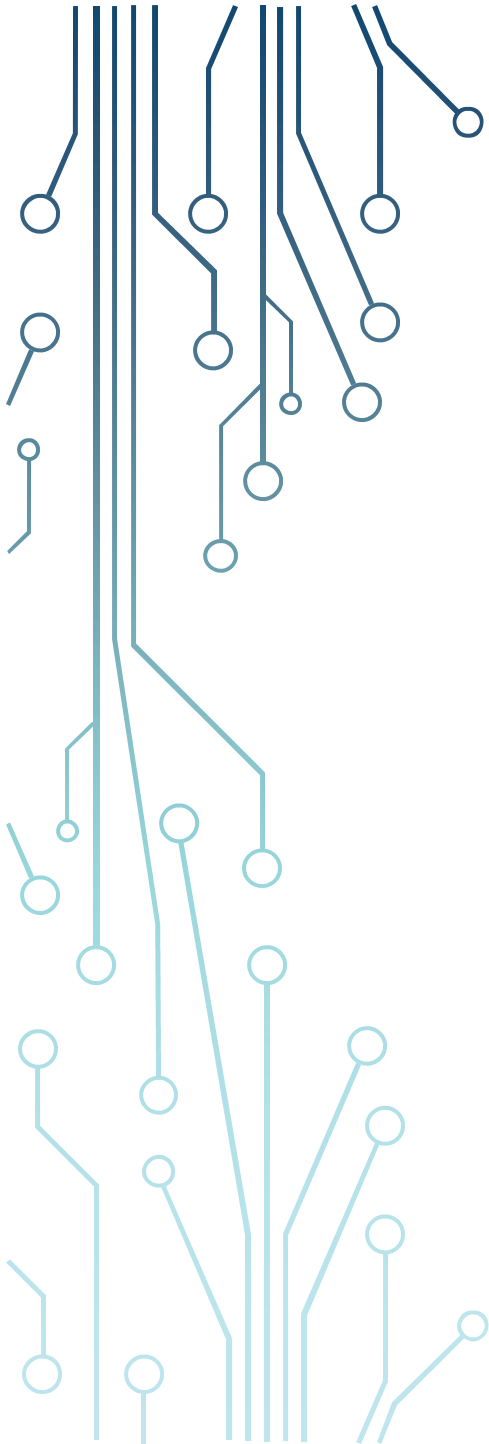
ST1-D



ST1-T

Summary

- One-piece type internal connectors for the microSD™ card.
- High-density, SMT, hinge style, low-profile connectors
- Card detection switch option available
- Shield is secured by 4 ground connection points on the hinge cover
- Slim design to occupy minimal space
- Lock structure to enhance reliability
- Lead-free product (RoHS compliant)



Technology to Inspire Innovation

JAE