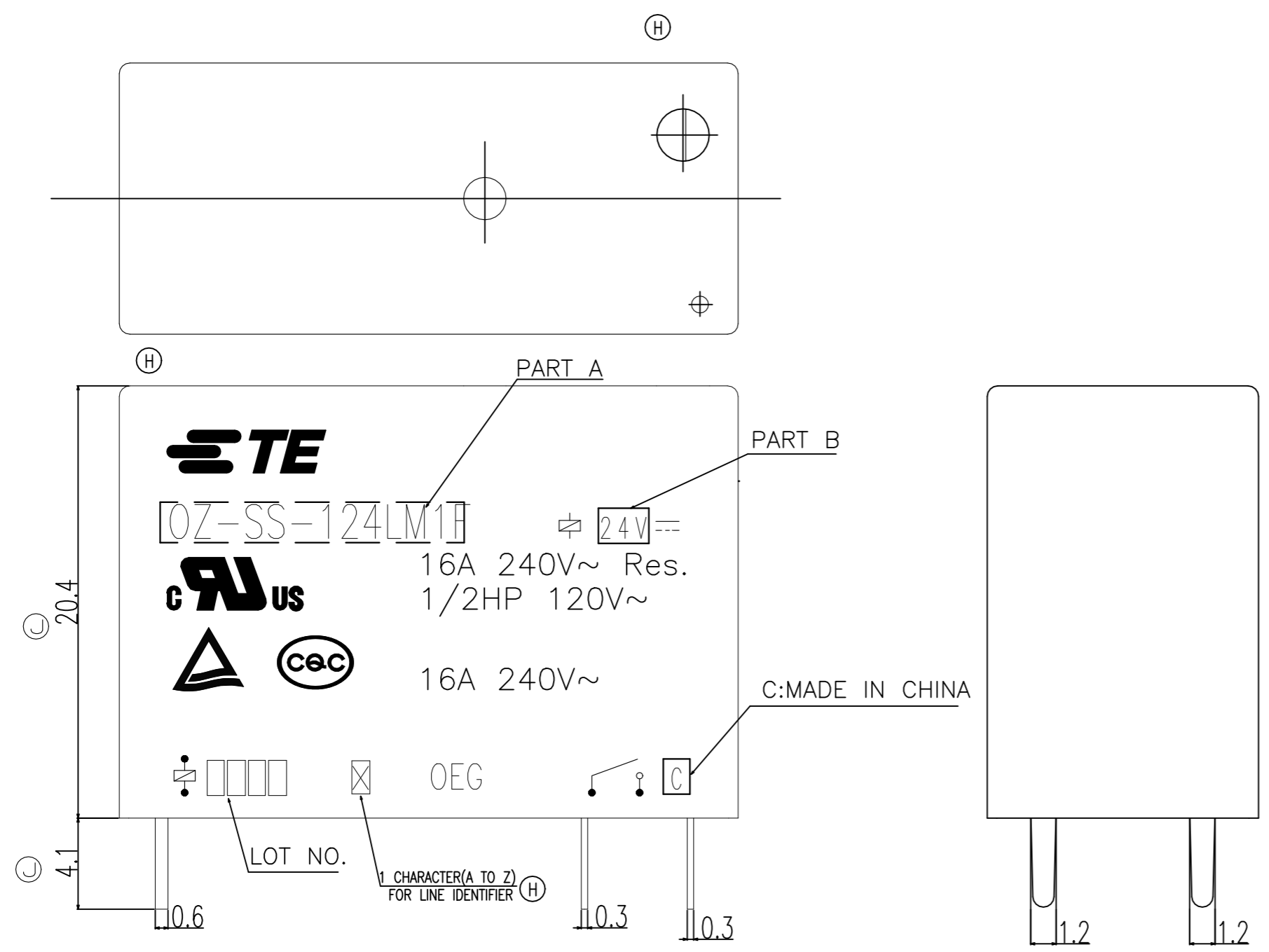


THIS DRAWING IS UNPUBLISHED. RELEASED FOR PUBLICATION
 © COPYRIGHT - By TE Connectivity ALL RIGHTS RESERVED.

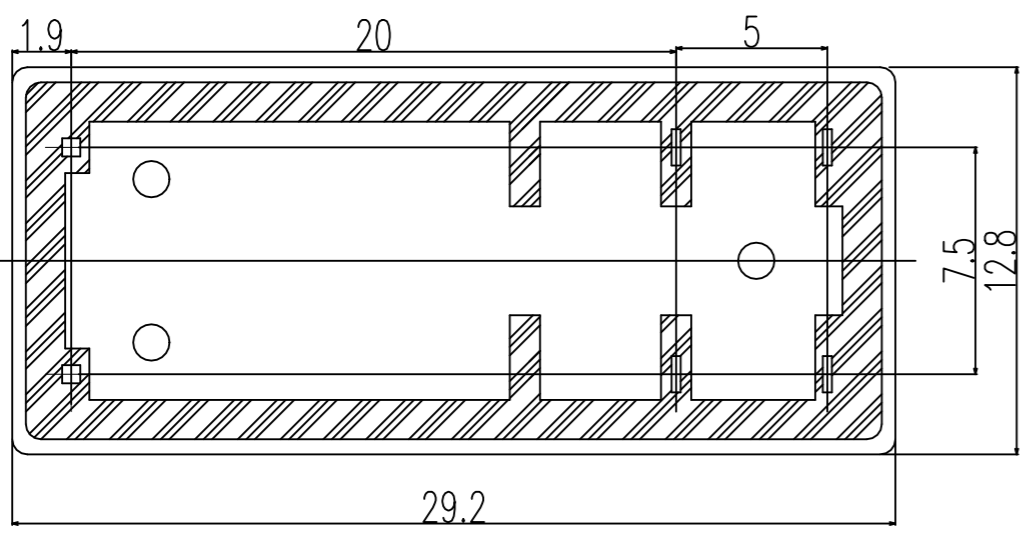
REVISIONS				
P	LTR	DESCRIPTION	DATE	APVD
J		DIMENSION CHANGE	ECO-21-004260 10-JUN-21	XR.L K.T



L TYPE:

H1	1-2071269-2	OZ-SS-112LM1F	12V	OZ-SS-112LM1F	h
	1461868-7	OZ-SS-109LM1F	9V	OZ-SS-109LM1F	g
	1461868-5	OZ-SS-112LM1F	12V	OZ-SS-112LM1F	e
H2 H1	1461868-8	OZ-SH-105LM1F	5V	OZ-SH-105LM1F	d
	1461868-3	OZ-SH-124LM1F	24V	OZ-SH-124LM1F	c
	1461868-2	OZ-SS-124LM1F	24V	OZ-SS-124LM1F	b
	1461868-1	OZ-SH-112LM1F	12V	OZ-SH-112LM1F	a
	PART NO	DESCRIPTION	PART B	PART A	ITEM

RELAY TYPE



THIS DRAWING IS A CONTROLLED DOCUMENT.		DWN	09APR2012		 TE Connectivity
		CHK	LIU.XIANGREN		
		APVD	CHEN.TIMOTHY		
		PRODUCT SPEC	ZHANG.SUNNY		
		APPLICATION SPEC	-		OZ CUSTOMER DRAWING
		WEIGHT	-		
DIMENSIONS: mm		TOLERANCES UNLESS OTHERWISE SPECIFIED:		SIZE	RESTRICTED TO
		0 PLC ± - 1 PLC ± - 2 PLC ± - 3 PLC ± - 4 PLC ± - ANGLES ± -		CAGE CODE	
MATERIAL		FINISH		DRAWING NO	
-		-		A3	
		CUSTOMER DRAWING		00779	
				C-1461868	
				SCALE	
				4:1	
				SHEET	
				1 OF 4	
				REV	
				J	

THIS DRAWING IS UNPUBLISHED.

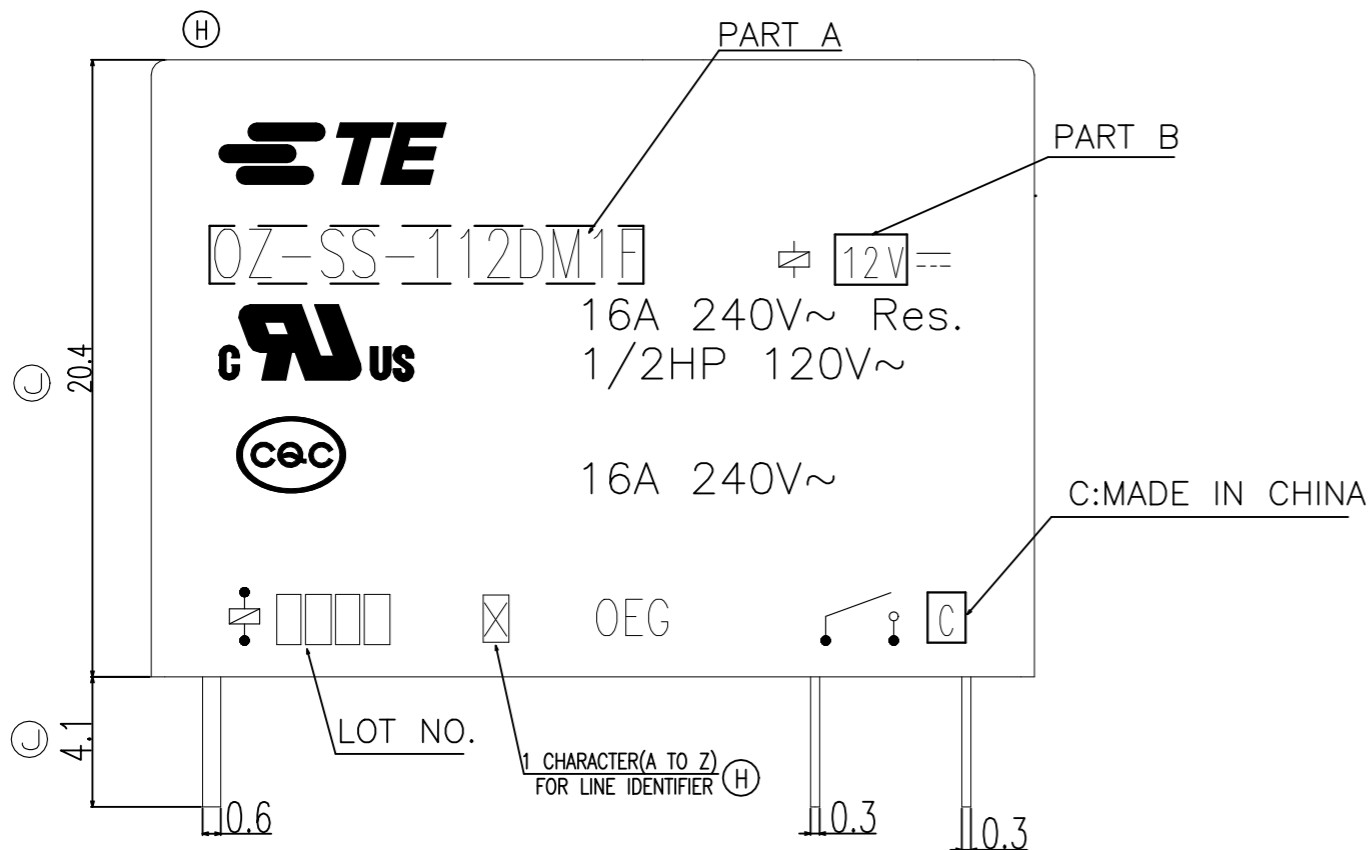
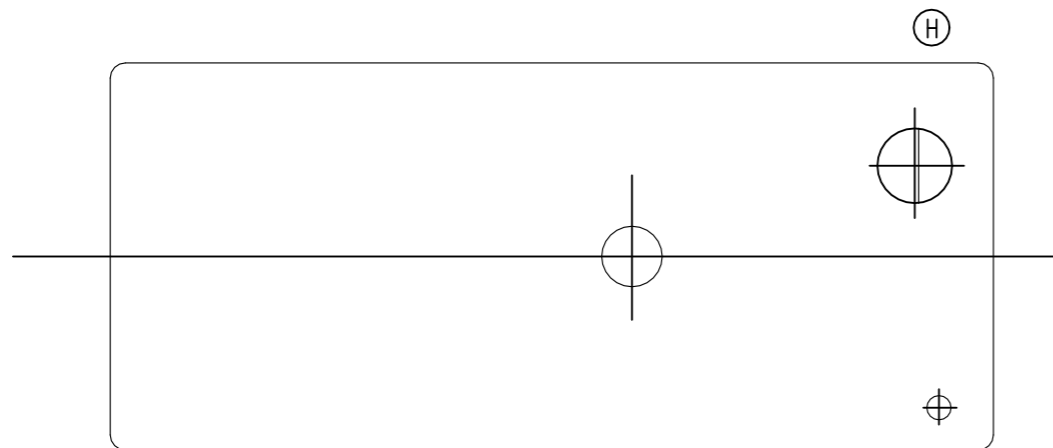
RELEASED FOR PUBLICATION

ALL RIGHTS RESERVED.

© COPYRIGHT - By TE Connectivity

REVISIONS

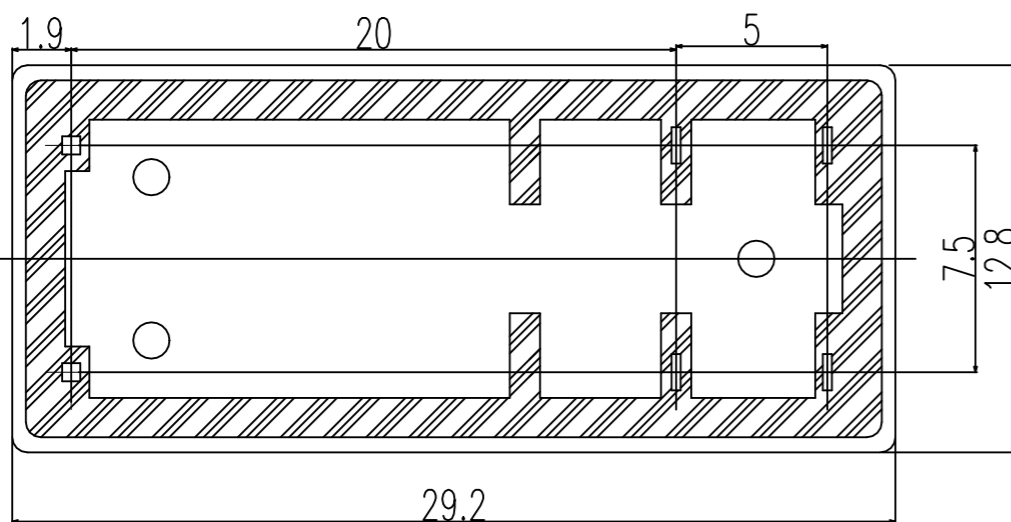
P	LTR	DESCRIPTION	DATE	DWN	APVD
-	-	SEE SHEET 1	-	-	-



D TYPE:

1461868-6	OZ-SS-112DM1F	12V	OZ-SS-112DM1F	f
PART NO	DESCRIPTION	PART B	PART A	ITEM

RELAY TYPE



THIS DRAWING IS A CONTROLLED DOCUMENT.

DWN 09APR2012

LIU.XIANGREN

CHK CEHN.TIMOTHY

APVD ZHANG.SUNNY

PRODUCT SPEC

APPLICATION SPEC

WEIGHT 0

CUSTOMER DRAWING

TE Connectivity

OZ CUSTOMER DRAWING

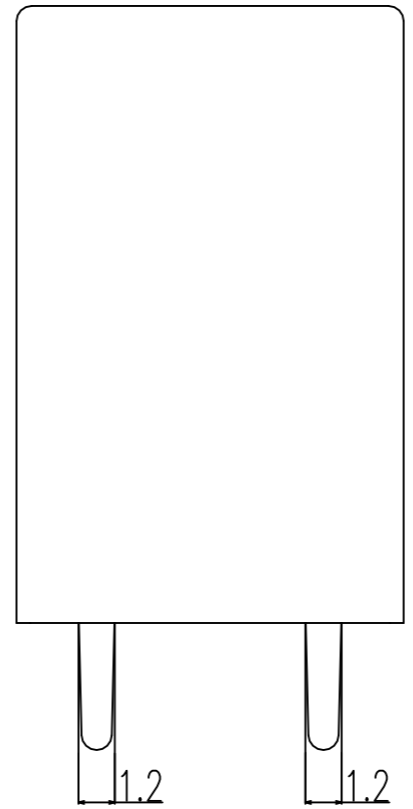
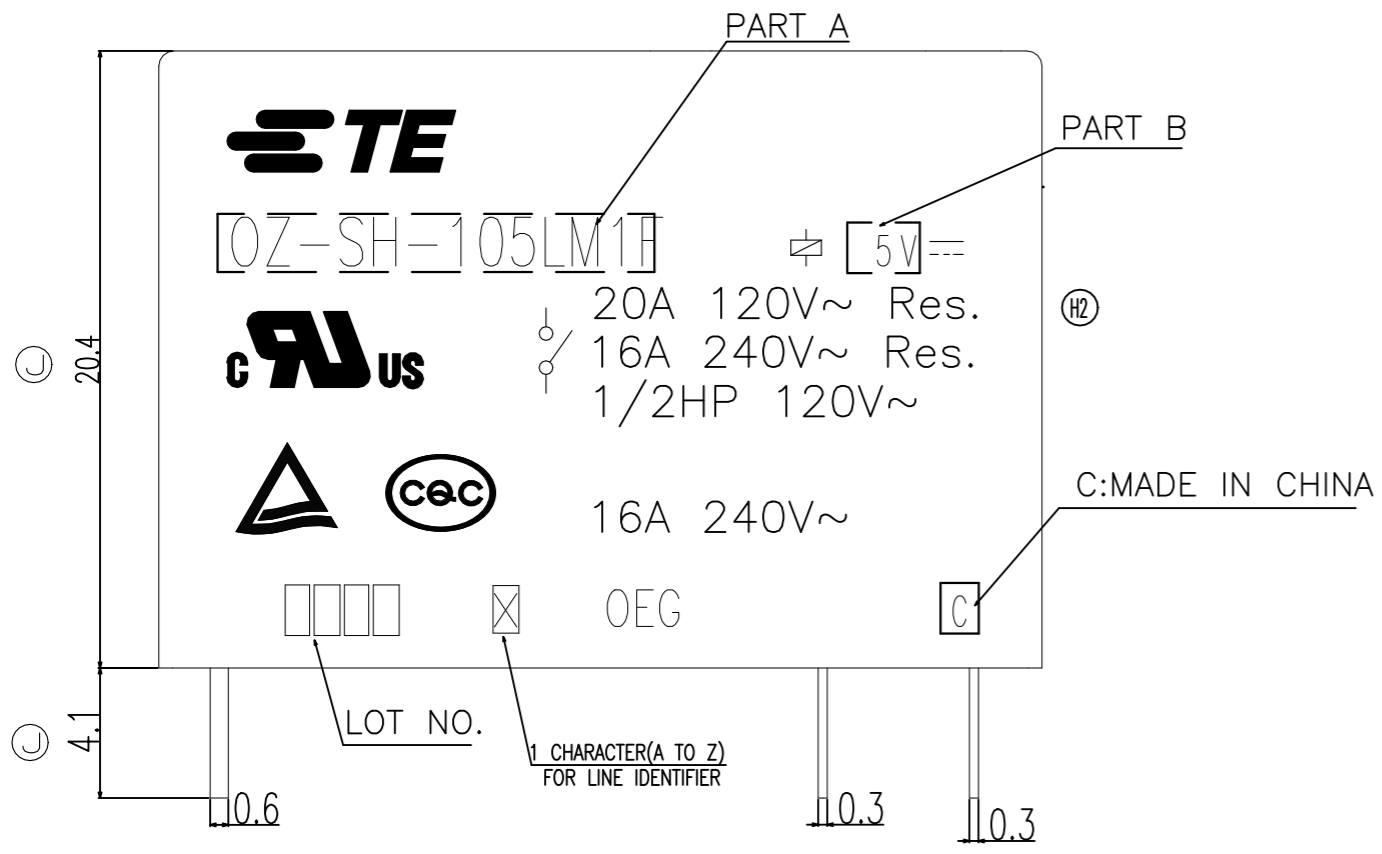
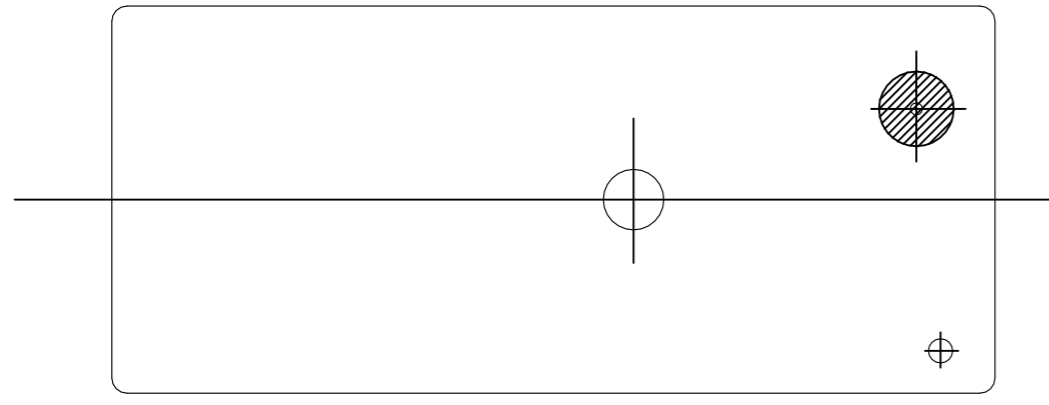
SIZE CAGE CODE DRAWING NO RESTRICTED TO

A3 00779 C-1461868

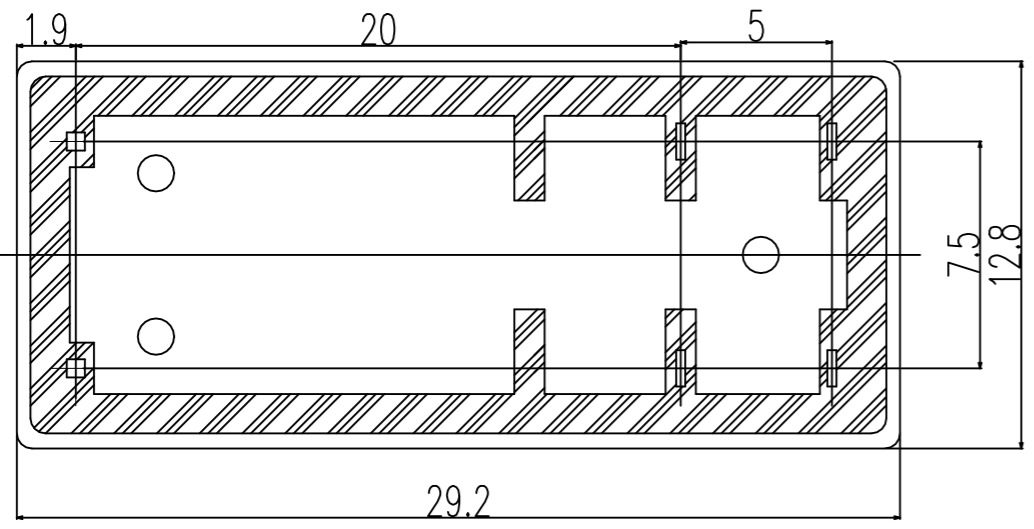
SCALE 4:1 SHEET 2 OF 4 REV J

THIS DRAWING IS UNPUBLISHED. RELEASED FOR PUBLICATION
 © COPYRIGHT - By TE Connectivity ALL RIGHTS RESERVED.

REVISIONS				
P	LTR	DESCRIPTION	DATE	APVD
-	-	SEE SHEET 1	-	-



RELAY TYPE	1461868-8	OZ-SH-105LM1F	5V	OZ-SH-105LM1F	d
	PART NO	DESCRIPTION	PART B	PART A	ITEM
(H2)					



THIS DRAWING IS A CONTROLLED DOCUMENT.		DWN LIU.XIANGREN 09APR2012	TE TE Connectivity	
DIMENSIONS: mm		CHK CHEN.TIMOTHY		
TOLERANCES UNLESS OTHERWISE SPECIFIED:		APVD ZHANG.SUNNY	NAME	
0 PLC ± -		PRODUCT SPEC	-	
1 PLC ± -		APPLICATION SPEC	-	
2 PLC ± -		WEIGHT	SIZE	RESTRICTED TO
3 PLC ± -		0.000000	A3	-
4 PLC ± -			CAGE CODE	DRAWING NO
ANGLES ± -			00779	C-1461868
FINISH			SCALE	SHEET
-			4:1	3 of 4
		CUSTOMER DRAWING	REV	J

THIS DRAWING IS UNPUBLISHED.

RELEASED FOR PUBLICATION

© COPYRIGHT - By TE Connectivity

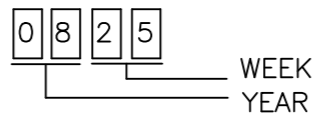
ALL RIGHTS RESERVED.

REVISIONS

P	LTR	DESCRIPTION	DATE	DWN	APVD
-	-	SEE SHEET 1	-	-	-

NOTES:

1.LOT NO. SYSTEM AS FOLLOWING:



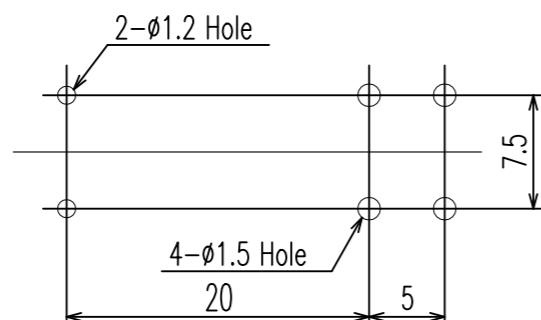
2.GENERAL TOLERANCE AS FOLLOWING:

TOLERANCE	
0~0.99mm	±0.1
1mm~2.99mm	±0.2
3mm MIN.	±0.3

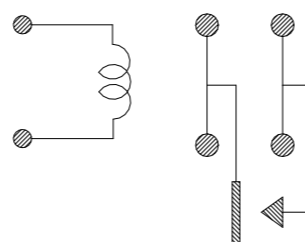
3.TERMINAL DIMENSION IS NOT INCLUDING SOLDER TIP.

(H) 4.FOR THE TIN-PLATING OF THE PINS:
+0.1mm FOR WIDTH,THICKNESS AND DIAMETER.
+0.5mm FOR LENGTH.

CIRCUIT DIAGRAM(2/1)
(BOTTOM VIEW)



DRILLING DIAGRAM
(BOTTOM VIEW)



		EPOXY RESIN	SEAL	15
		Cu ALLOY	HINGE SPRING	14
		PBT	CASE	13
		MW79	MAGNETIC WIRE	12
UL94V-0		PET	BASE	11
UL94V-0		PA66 NYLON(CLASS F)	BOBBIN	10
	SOLDER DIP	Cu ALLOY	COIL TERMINAL	9
UL94V-0		PPS	CARD	8
		Ag ALLOY	MOVABLE CONTACT	7
		Ag ALLOY	STATIONARY CONTACT	6
	SOLDER DIP	Cu ALLOY	MOVABLE SPRING	5
	SOLDER DIP	Cu ALLOY	NO-TERMINAL	4
	Ni PLATED	STEEL	CORE	3
	Ni PLATED	STEEL	ARMATURE	2
	Ni PLATED	STEEL	YOKE	1
INCOMBUSTIBILITY	TREATMENT	MATERIAL	DESCRIPTION	ITEM

THIS DRAWING IS A CONTROLLED DOCUMENT.

DIMENSIONS:	TOLERANCES UNLESS OTHERWISE SPECIFIED:
mm	
	0 PLC ± -
	1 PLC ± -
	2 PLC ± -
	3 PLC ± -
	4 PLC ± -
	ANGLES ± -

MATERIAL	FINISH
-	-

DWN	09APR2012
CHK	LIU.XIANGREN
APVD	CHEN.TIMOTHY
PRODUCT SPEC	ZHANG.SUNNY
APPLICATION SPEC	-
WEIGHT	0



OZ CUSTOMER DRAWING

SIZE	CAGE CODE	DRAWING NO	RESTRICTED TO
A3	00779	C-1461868	-

CUSTOMER DRAWING	SCALE 4:1	SHEET 4 OF 4	REV J
------------------	-----------	--------------	-------