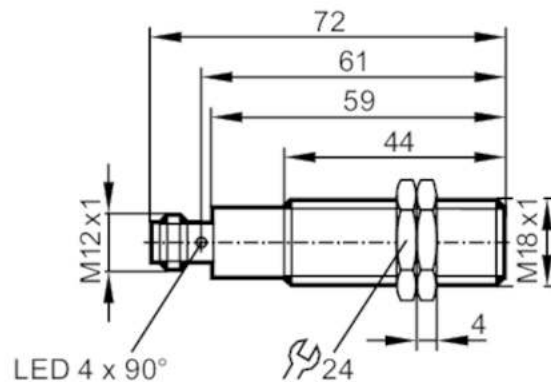


OGH300



Diffuse reflection sensor with background suppression

OGH-HPKG/US100



transmitter in lower lens
receiver in upper lens



Product characteristics

Type of light	red light
Housing	threaded type

Application

Special feature	Background suppression
Function principle	Diffuse reflection sensor

Electrical data

Operating voltage	[V]	10...36 DC
Current consumption	[mA]	25
Protection class		II
Reverse polarity protection		yes
Type of light		red light
Wave length	[nm]	624

Outputs

Electrical design		PNP
Output function		light-on mode
Max. voltage drop switching output DC	[V]	2.5
Permanent current rating of switching output DC	[mA]	150; (200 (...60 °C))
Switching frequency DC	[Hz]	1000
Short-circuit protection		yes
Type of short-circuit protection		pulsed
Overload protection		yes

Detection zone

Range	[mm]	< 100; (white paper 200 x 200 mm 90% remission)
Range on white object (90 % remission)	[mm]	< 100

OGH300



Diffuse reflection sensor with background suppression

OGH-HPKG/US100

Range on grey object (18 % remission) [mm]	< 100
Range on black object (6 % remission) [mm]	< 100
Range adjustable	no
Max. light spot diameter [mm]	9
Light spot dimensions refer to	Range
Background suppression available	yes

Operating conditions

Ambient temperature [°C]	-25...80
Protection	IP 65; IP 67; IP 68; IP 69K

Tests / approvals

EMC	EN 60947-5-2
MTTF [years]	372

Mechanical data

Weight [g]	54.5
Housing	threaded type
Dimensions [mm]	M18 x 1 / L = 72
Thread designation	M18 x 1
Materials	housing: stainless steel (1.4404 / 316L); Sealing: EPDM
Lens material	PMMA

Displays / operating elements

Display	switching status	1 x LED, yellow
---------	------------------	-----------------

Accessories

Items supplied	lock nuts: 2
----------------	--------------

Remarks

Remarks	operating voltage "supply class 2" according to cULus
Pack quantity	1 pcs.

Electrical connection

Connector: 1 x M12; coding: A





Diffuse reflection sensor with background suppression

OGH-HPKG/US100

Connection

