

2205068-1 ✓ ACTIVE

Micro-MaTch | Micro-MaTch Industrial

TE Internal #: 2205068-1

MICRO-MATCH MOW to MICRO-MATCH Cable Assembly, 4

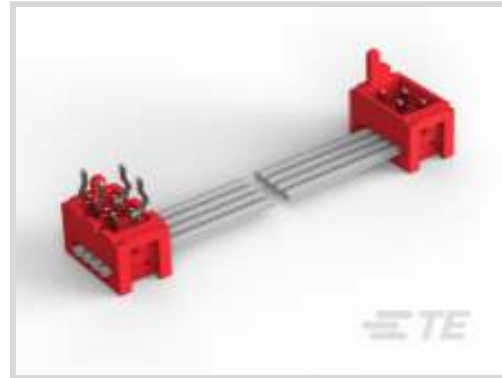
Positions, .246 ft [.075 m], Gray Cable, 28 AWG, 159.8 – 159.88 mm<sup>2</sup>,

Ribbon Cable

[View on TE.com >](#)



Cable Assemblies > Copper Cable Assemblies > Pluggable I/O Cable Assemblies > MICRO-MATCH STD PB TO MOW CABLE ASSY



Cable Assembly Type: MICRO-MATCH MOW to MICRO-MATCH

Keyed Position: 1

Equalized: No

Wire Size: 159.8 – 159.88 mm<sup>2</sup>

[All MICRO-MATCH STD PB TO MOW CABLE ASSY \(25\)](#)

## Features

### Product Type Features

Cable Assembly Category	Industry Standard
Cable Assembly Type	MICRO-MATCH MOW to MICRO-MATCH
Connector Type (End A)	MICRO-MATCH MOW Plug
Connector Type (End B)	MICRO-MATCH Plug
Cable Style	Ribbon Cable

### Configuration Features

Keyed Position	1
Number of Positions	4
Number of Signal Positions	4

### Body Features

Equalized	No
Cable Color	Gray
Cable Flammability Rating	UL 2651

### Mechanical Attachment

Mating Alignment	With
------------------	------

### Dimensions

--	--



Wire Size	159.8 – 159.88 mm <sup>2</sup>
-----------	--------------------------------

### Operation/Application

Shielded	No
----------	----

Halogen Free	No
--------------	----

### Other

Cable Assembly Configuration	Double Ended
------------------------------	--------------

Cable Assembly Length	.075 m [.246 ft]
-----------------------	------------------

### Product Compliance

[For compliance documentation, visit the product page on TE.com>](#)

EU RoHS Directive 2011/65/EU	Compliant
------------------------------	-----------

EU ELV Directive 2000/53/EC	Compliant
-----------------------------	-----------

China RoHS 2 Directive MIIT Order No 32, 2016	No Restricted Materials Above Threshold
---	---

EU REACH Regulation (EC) No. 1907/2006	Current ECHA Candidate List: JUNE 2023 (235) Candidate List Declared Against: JAN 2022 (223) Does not contain REACH SVHC
--	--

Halogen Content	Not Low Halogen - contains Br or Cl > 900 ppm.
-----------------	--

Solder Process Capability	Not reviewed for solder process capability
---------------------------	--

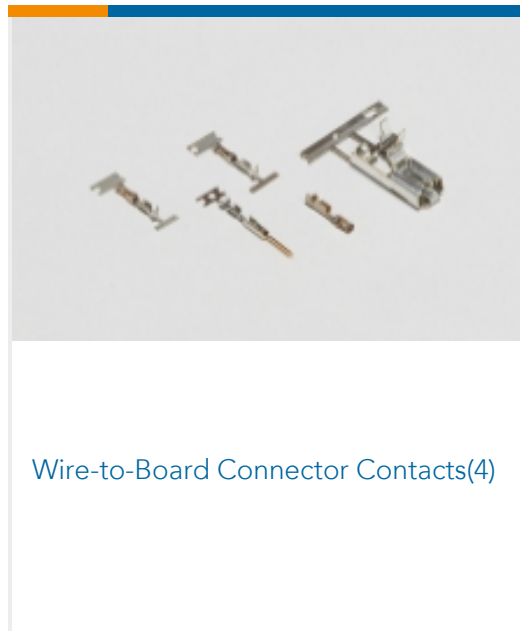
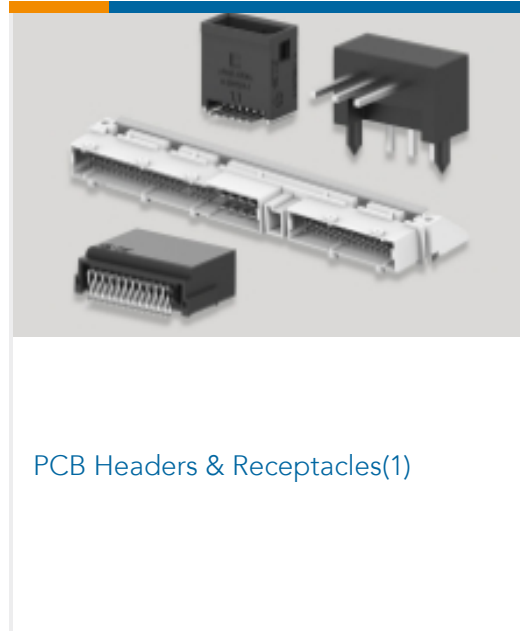
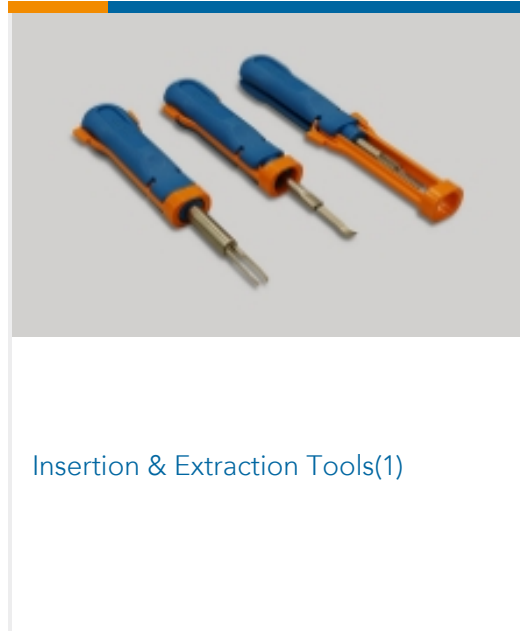
#### Product Compliance Disclaimer

This information is provided based on reasonable inquiry of our suppliers and represents our current actual knowledge based on the information they provided. This information is subject to change. The part numbers that TE has identified as EU RoHS compliant have a maximum concentration of 0.1% by weight in homogenous materials for lead, hexavalent chromium, mercury, PBB, PBDE, DBP, BBP, DEHP, DIBP, and 0.01% for cadmium, or qualify for an exemption to these limits as defined in the Annexes of Directive 2011/65/EU (RoHS2). Finished electrical and electronic equipment products will be CE marked as required by Directive 2011/65/EU. Components may not be CE marked. Additionally, the part numbers that TE has identified as EU ELV compliant have a maximum concentration of 0.1% by weight in homogenous materials for lead, hexavalent chromium, and mercury, and 0.01% for cadmium, or qualify for an exemption to these limits as defined in the Annexes of Directive 2000/53/EC (ELV). Regarding the REACH Regulation, the information TE provides on SVHC in articles for this part number is based on the latest European Chemicals Agency (ECHA) 'Guidance on requirements for substances in articles' posted at this URL: <https://echa.europa.eu/guidance-documents/guidance-on-reach>

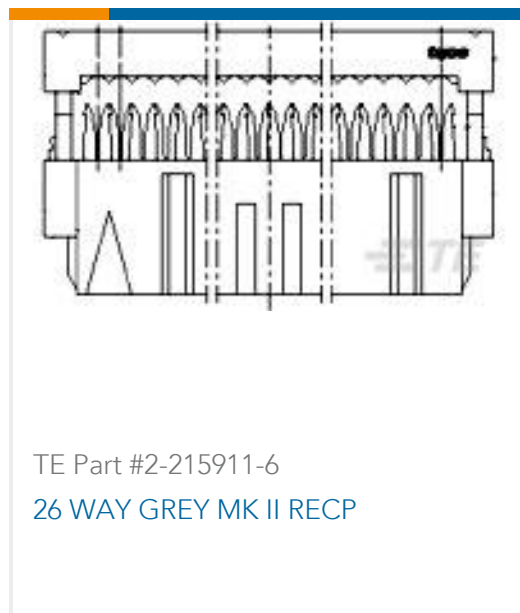
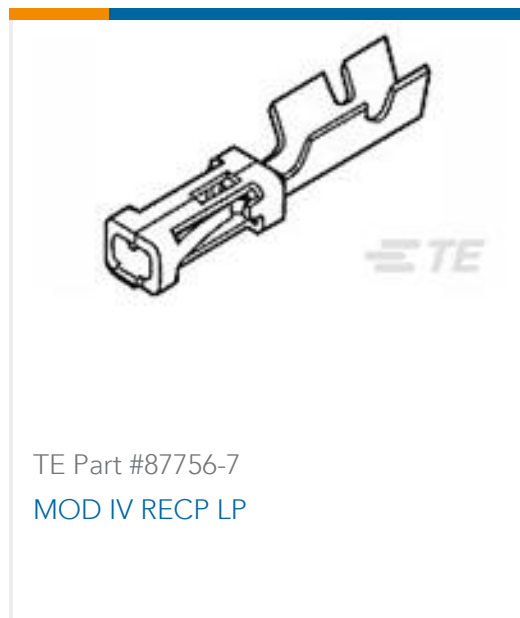
### Compatible Parts



## Also in the Series | Micro-MaTch Industrial



## Customers Also Bought





## Documents

### Product Drawings

CA MICRO-MATCH MOW-PB 4POS

English

---

### Product Specifications

Application Specification

English

micro match miniature connector system

English