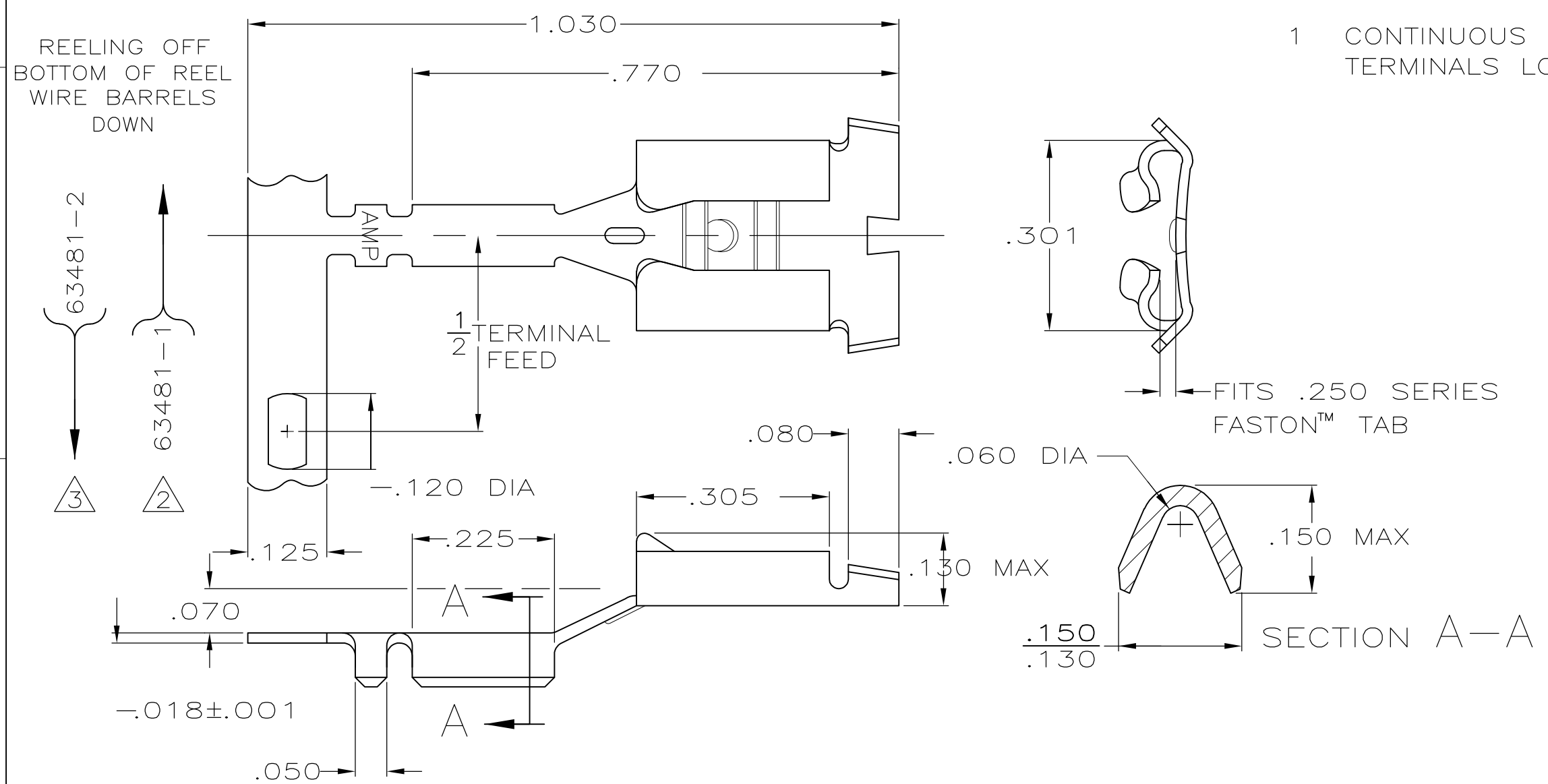
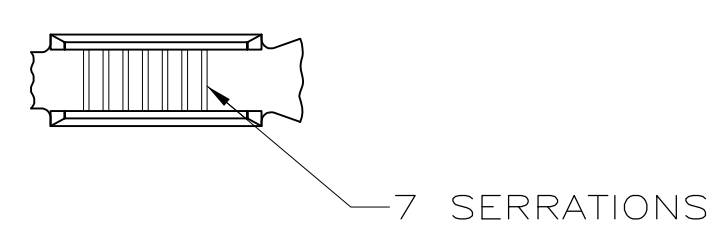


THIS DRAWING IS UNPUBLISHED. RELEASED FOR PUBLICATION
 © COPYRIGHT - By - ALL RIGHTS RESERVED.

LOC	DIST	REVISIONS			
P	LTR	DESCRIPTION	DATE	DWN	APVD
AF	50	E	REVISE PER ECR-13-013738	28AUG2014	GRZ JL



1 CONTINUOUS STRIP ON REELS WITH TERMINALS LOCATED ON .620 CENTERS.



3	.032	#21-#15 AWG	63481-2
2			63481-1
REELING	MATING TAB THK ±.001	MAGNET WIRE RANGE	PART NUMBER

THIS DRAWING IS A CONTROLLED DOCUMENT.		DWN	M.S. FEHER	1/24/87	 TE Connectivity				
DIMENSIONS: INCHES		CHK	G YETTER	1-24-86					
TOLERANCES UNLESS OTHERWISE SPECIFIED:		APVD	D SCHWENK	1-24-86					
0 PLC ± - 1 PLC ± - 2 PLC ± - 3 PLC ± .010 4 PLC ± - ANGLES ± -		PRODUCT SPEC	C G ATHERTON	1-24-86					
MATERIAL	BRASS	FINISH	PRE-TIN	SIZE	A300779	CAGE CODE	C-63481	DRAWING NO	RESTRICTED TO
CUSTOMER DRAWING				SCALE	5:1	SHEET	1 OF 1	REV	E