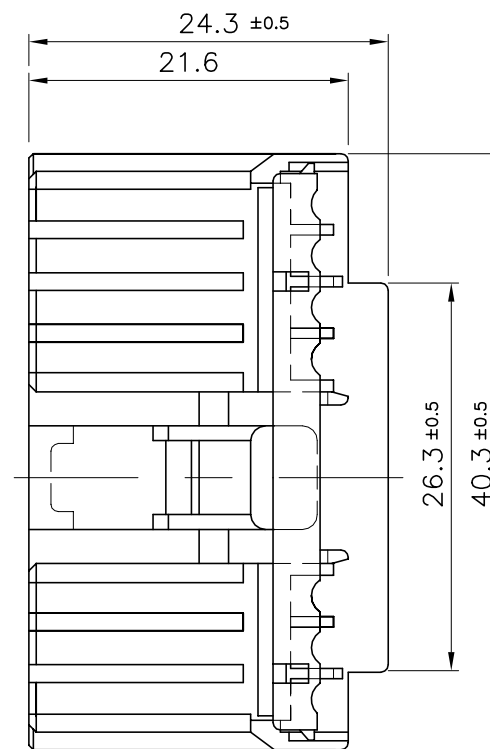
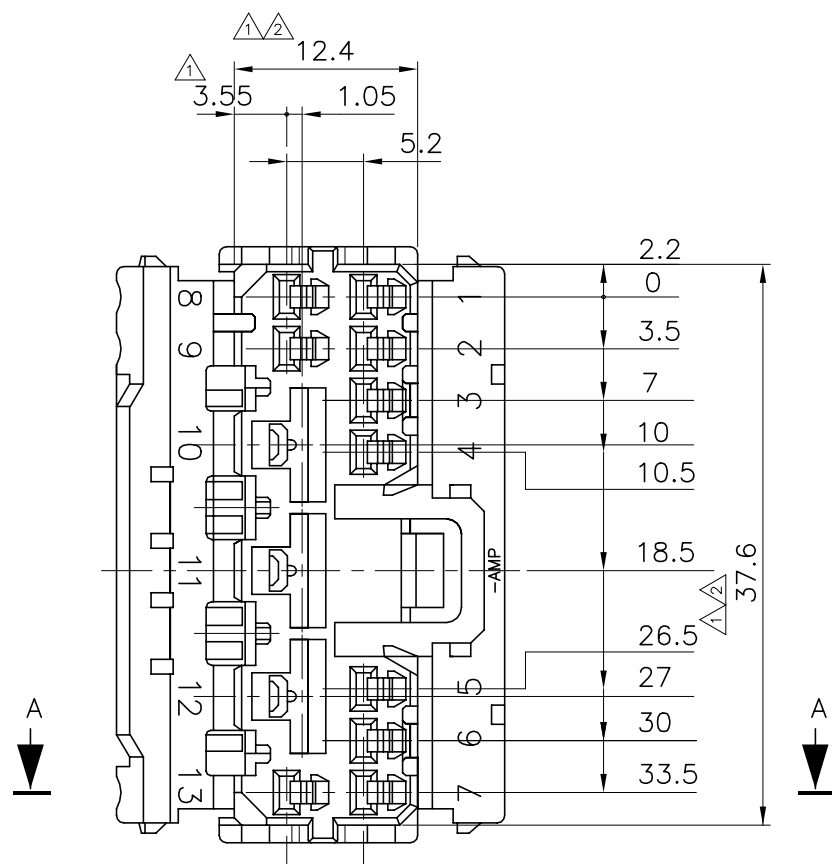
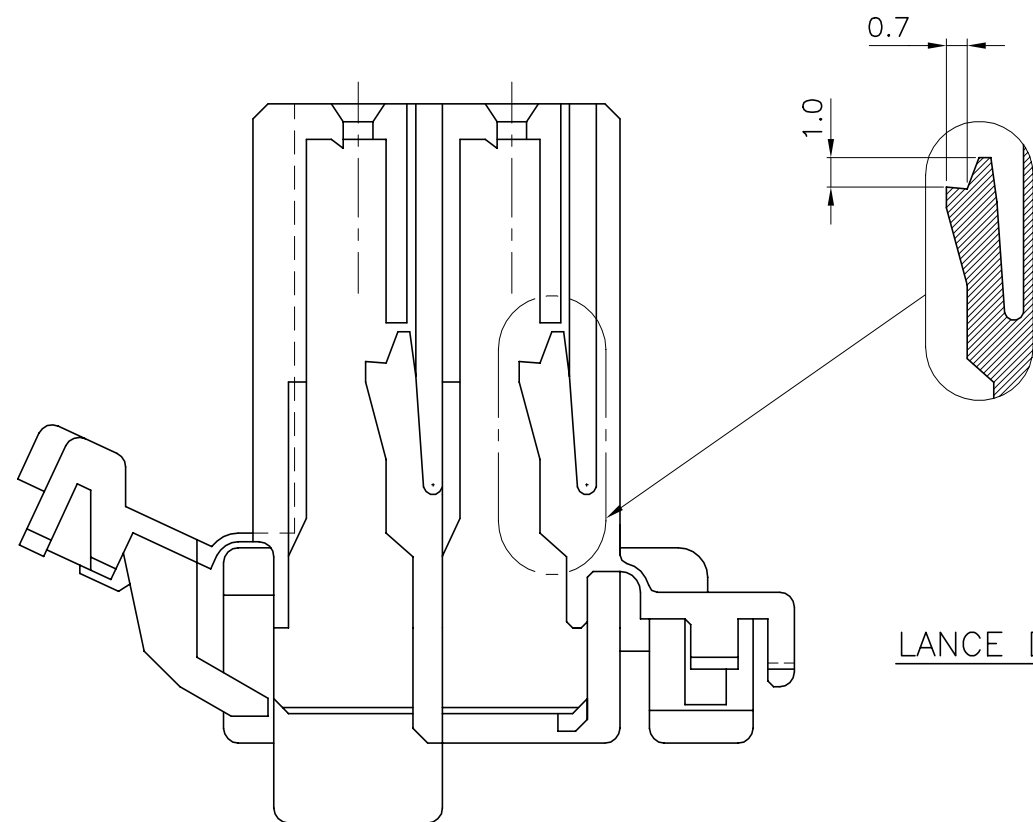


P	LTR	DESCRIPTION	DATE	DWN	APVD
	B1	REVISED ECR-22-131601	16SEP2022	VI	JJ

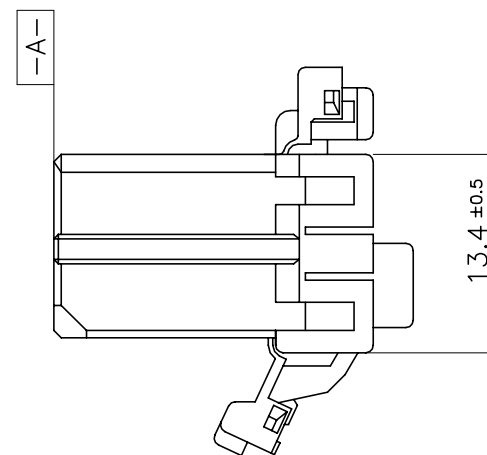


NOTE:

- ① TO BE MEASURED BETWEEN -A- AND 2
- ② TO BE MATE WITH TAP HSG SMOOTHLY
- 3 APPLIED RECEPTACLE CONTACT PART NUMBERS
.070 SERIES, 173630, 173631
.250 SERIES, 170032, 170258, 170384
- 4 APPLIED CAP HSG P/N : 85112
- ⓑ ③ THESE ARE FOR LOCAL CUSTOMER WITH POLY BAG/MID BOX/OUT BOX.
- ⓑ ④ THIS IS FOR EXPORT WITH TRAY/OUT BOX.



LANCE DETAIL



P/N	MATERIAL	COLOR	PACKING
1-85111-2	P.B.T	BLACK	ⓑ ④
85111-5	P.B.T	BLUE	ⓑ ④
85111-4	P.B.T	GREEN	ⓑ ④
85111-2	P.B.T	BLACK	ⓑ ④
85111-1	P.B.T	WHITE	ⓑ ④

OBSOLETE

SECTION A-A

TOLERANCES UNLESS OTHERWISE SPECIFIED:

0<XX<10 ±0.2
10<XX<30 ±0.25
30<XX ±0.3
ANGLES ±3°

THIS DRAWING IS A CONTROLLED DOCUMENT.

DIMENSIONS:	TOLERANCES UNLESS OTHERWISE SPECIFIED:
mm	
	0 PLC ± -
	1 PLC ± -
	2 PLC ± -
	3 PLC ± -
	4 PLC ± -
	ANGLES ± -
MATERIAL	FINISH
SEE TABLE	-

DWN	YD. LEE
CHK	BM JANG
APVD	CS LEE
PRODUCT SPEC	-
APPLICATION SPEC	-
WEIGHT	0
CUSTOMER DRAWING	



NAME			
.070/.250 HYBRID 13P PLUG HSG			
SIZE	CAGE CODE	DRAWING NO	RESTRICTED TO
A3	00779	C-85111	-
SCALE		SHEET	REV
1:1		1 OF 1	B1