

Stored energy motor operator (SEO) 24V DC accessory for: 3VA63/3VA64



Model	
product brand name	SETRON
product designation	Accessories
Product version	Motorized operating mechanism with stored energy mechanism (SEO)
General technical data	
make time / typical	0.08 s
break time / typical	5 s
Voltage	
Type de tension pour la commande	DC
Rated control supply voltage U_s with DC	
• minimum	24 V
• maximal	24 V
Rated operational power	300 VA
Mechanical Design	
Height	127.4 mm
Width	137.6 mm
depth	159 mm
net weight	1 980 g
connectable conductor cross-section / solid	
• minimum	1.5 mm ²
• maximum	2.5 mm ²
connectable conductor cross-section / finely stranded / with core end processing	
• minimum	1.5 mm ²
• maximum	2.5 mm ²
connectable conductor cross-section / stranded	
• minimum	1.5 mm ²
• maximum	2.5 mm ²
ambient temperature / during operation	
• minimum	-25 °C
• maximum	70 °C
tightening torque	
• minimum	0.36 N·m
• maximum	0.44 N·m
ambient temperature / during storage	
• minimum	-40 °C
• maximum	80 °C
Connections according IEC	
stripped length	7 mm

Further information

Information- and Downloadcenter (Catalogs, Brochures,...)

<http://www.siemens.com/lowvoltage/catalogs>

Industry Mall (Online ordering system)

<https://mall.industry.siemens.com/mall/en/en/Catalog/product?mfb=3VA9447-0HC10>

Service&Support (Manuals, Certificates, Characteristics, FAQs,...)

<https://support.industry.siemens.com/cs/ww/en/ps/3VA9447-0HC10>

Image database (product images, 2D dimension drawings, 3D models, device circuit diagrams, ...)

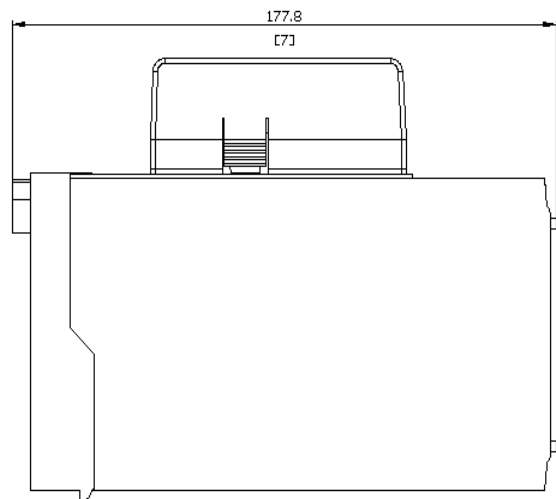
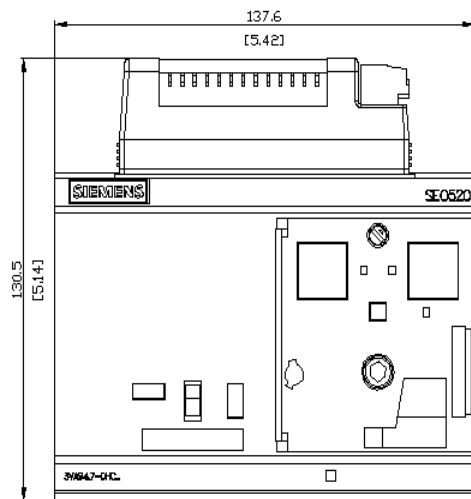
http://www.automation.siemens.com/bilddb/cax_en.aspx?mfb=3VA9447-0HC10

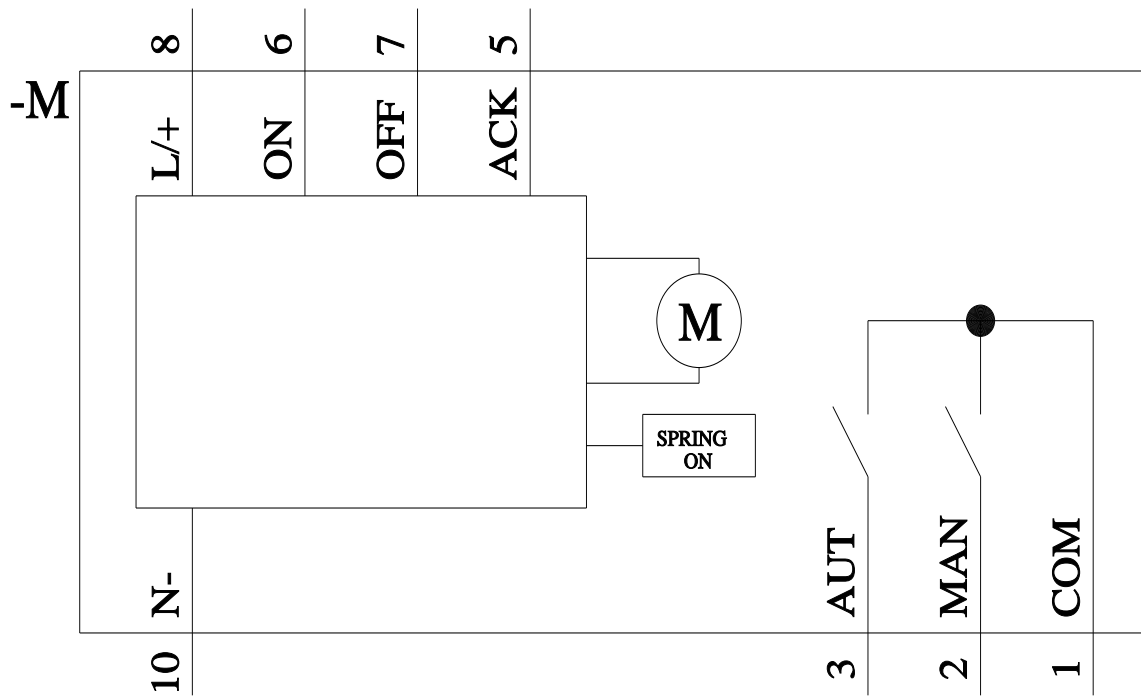
CAX-Online-Generator

<http://www.siemens.com/cax>

Tender specifications

<http://www.siemens.com/specifications>





last modified:

7/2/2022 

