

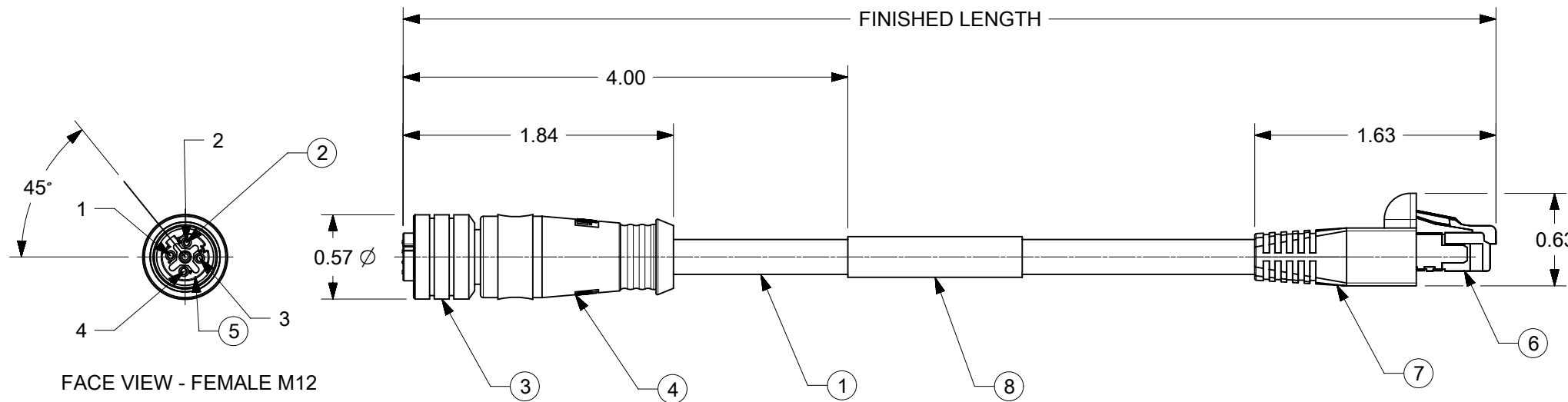
MATERIAL NO.	ENGINEERING NO.	LENGTH
1201080747	E16A03006M005	.5 M (1.64 FT)

**CABLE LENGTH TOLERANCES**

>.3M [1FT]:	+19mm-0 [ +.75in-0]
.3 - .9M [1 - 3FT]:	+44.5mm-0 [+1.75in-0]
.9 - 1.8M [3 - 6FT]:	+55.6mm-0 [+2.19in-0]
1.8 - 3.7M [6 - 12FT]:	+88.9mm-0 [+3.50in-0]
3.7 - 7.3M [12 - 24FT]:	+165.1mm-0 [+6.50in-0]
7.3-14.6M [24 - 48FT]:	+317.5mm-0 [+12.50in-0]
14.6 - 30.5M [48-100FT]:	+622.3mm-0 [+24.50in-0]
OVER 30M [100FT]	+2% OF FINISHED LENGTH

**WIRE COLORS**

- 1- WHITE/ORANGE
- 2- WHITE/GREEN
- 3- ORANGE
- 4- GREEN



FACE VIEW - FEMALE M12

FACE VIEW - MALE RJ45

**WIRE COLORS**

- 1- WHITE/ORANGE
- 2- ORANGE
- 3- WHITE/GREEN
- 4- NOT USED
- 5 - NOT USED
- 6 - GREEN
- 7 - NOT USED
- 8 - NOT USED

**NOTES:**

- 1) MATERIAL: SEE TABLE
- 2) FINISHES: SEE TABLE
- 3) ELECTRICAL:  
VOLTAGE: 125V  
CURRENT: 1.5A
- 4) PROTECTION: IP67 (WHEN MATED)
- 5) TEMP RATING: -20°C TO +70°C
- 6) COUPLING THREAD: M12X1
- 7) ALL DIMS ARE FOR REFERENCE UNLESS TOLERANCED OR NOTED OTHERWISE

**E16A03006M005**

LENGTH  
M005 = .5 METERS  
M010 = 1.0 METERS  
M100 = 10.0 METERS

**PART NUMBER MATRIX**

8	WRAP LABEL	VINYL	BLACK/YELLOW
7	BOOT HOOD	PVC	BLACK
6	RJ45 PLUG	POLYCARBONATE	CLEAR
5	FEMALE INSERT	PUR	BLACK
4	OVERMOLD	PUR	BLACK
3	COUPLING NUT	BRASS	NICKEL PLATED
2	FEMALE CONTACT	CU ALLOY	GOLD/NICKEL
1	CABLE 24/2P CAT-5E (UNSHIELDED)	TPE	BLUE
ITEM	DESCRIPTION	MATERIAL	FINISH

SYMBOLS		THIS DRAWING CONTAINS INFORMATION THAT IS PROPRIETARY TO MOLEX ELECTRONIC TECHNOLOGIES, LLC AND SHOULD NOT BE USED WITHOUT WRITTEN PERMISSION	
DIMENSION UNITS	SCALE	CURRENT REV DESC: INITIAL RELEASE	
INCH	1:1	<p><b>molex</b></p> <p>MIC 4P FEMALE M12-MALE RJ45</p> <p>PRODUCT CUSTOMER DRAWING</p>	
GENERAL TOLERANCES (UNLESS SPECIFIED)			
ANGULAR TOL	± 0.5°		
4 PLACES	±		
3 PLACES	±	EC NO: 618892	2019/06/13
2 PLACES	±	DRWN: CCHRSTKA	2019/06/13
1 PLACE	±	CHK'D: RSTONE	2019/06/17
0 PLACES	±	APPR: BWOODMAN	2019/06/17
DRAFT WHERE APPLICABLE MUST REMAIN WITHIN DIMENSIONS		INITIAL REVISION:	
THIRD ANGLE PROJECTION		DRWN: CCHRSTKA	2019/06/13
DRAWING		APPR: BWOODMAN	2019/06/17
SERIES		DOCUMENT NUMBER	
B-SIZE		1201080747	
120108		DOC TYPE	DOC PART
SEE TABLE		PSD	000
CUSTOMER		REVISION	
GENERAL MARKET		A	
SHEET NUMBER		1 OF 1	

DOCUMENT STATUS	P1	RELEASE DATE	2019/06/17	17:47:44
-----------------	----	--------------	------------	----------