

# VS-IP20-IP20-94C/10 - Network cable



1404356

<https://www.phoenixcontact.com/pc/products/1404356>

Please be informed that the data shown in this PDF document is generated from our online catalog. Please find the complete data in the user documentation. Our general terms of use for downloads are valid.



Assembled Ethernet cable, shielded, 4-pair, 26 AWG suitable for use with drag chain (19-wire), RAL 5021 (water blue), RJ45 plug/IP20 to RJ45 plug/IP20, line, length: 10 m

## Commercial data

Item number	1404356
Packing unit	1 pc
Minimum order quantity	1 pc
Product key	ABNABE
GTIN	4046356692298
Weight per piece (including packing)	593 g
Weight per piece (excluding packing)	557.6 g
Customs tariff number	85444210
Country of origin	PL

# VS-IP20-IP20-94C/10 - Network cable



1404356

<https://www.phoenixcontact.com/pc/products/1404356>

## Technical data

### Product properties

Product type	Data cable preassembled
Sensor type	Ethernet
Number of positions	8
No. of cable outlets	1
Number of slots	1
Shielded	yes
Cable outlet	straight

### Insulation characteristics

Degree of pollution	2
---------------------	---

### Electrical properties

Transmission medium	Copper
Transmission speed	1 Gbps
Wave impedance	100 $\Omega$

### Mechanical properties

#### Mechanical data

Insertion/withdrawal cycles	$\geq 750$
Insertion force per signal contact	30.00 N
Extraction force per signal contact	50 N

### Material specifications

Flammability rating according to UL 94	V2
Outer sheath, material	PUR
Conductor material	Bare Cu litz wires

### Connector

#### Connection 1

Type	Plug straight RJ45
Shielded	yes
Insertion/withdrawal cycles	$\geq 750$
Degree of protection	IP20
Number of positions	8
Insertion/withdrawal cycles	750

#### Connection 2

Type	Plug straight RJ45
Shielded	yes
Insertion/withdrawal cycles	$\geq 750$
Number of positions	8

# VS-IP20-IP20-94C/10 - Network cable



1404356


<https://www.phoenixcontact.com/pc/products/1404356>

Degree of protection	IP20
----------------------	------

## Cable/line

Cable length	10.00 m
--------------	---------

### Ethernet drag chain CAT5, 4-pair [94C]

Dimensional drawing	
Shielded	yes
UL AWM Style	20963 (80°C/30 V)
Cable weight	57 kg/km
Cable type	Ethernet drag chain CAT5, 4-pair
Short symbol	9YC(ST)11Y
Cable type (abbreviation)	94C
Signal type/category	Ethernet CAT5 (IEC 11801), 1 Gbps
Cable structure	4x2xAWG26/19, S/UTP
External cable diameter	6.9 mm +0.1 mm ... 0.2 mm
Outer sheath, material	PUR
External sheath, color	water blue RAL 5021
Thickness, outer sheath	0.85 mm
Conductor material	Bare Cu litz wires
Conductor structure signal line	19x 0.10 mm
AWG signal line	26
Conductor cross section	4x 2x 0.14 mm <sup>2</sup>
Material wire insulation	PP
Wire diameter incl. insulation	1 mm
Single wire, color	white/blue-blue, white/orange-orange, white/green-green, white/brown-brown
Twisted pairs	2 cores to the pair
Overall twist	Four pairs and four fillers to the core
Shielding	Tinned copper braided shield
Optical shield covering	90 %
Nominal voltage, cable	≤ 100 V
Test voltage Core/Core	700 V (50 Hz, 1 min.)
Test voltage Core/Shield	700 V (50 Hz, 1 min.)
Cable insulation resistance	≥ 500 MΩ*km
Coupling resistance	≤ 100.00 mΩ/m (at 10 MHz)
Wave impedance	100 Ω ±5 Ω (at 100 MHz)

# VS-IP20-IP20-94C/10 - Network cable



1404356

<https://www.phoenixcontact.com/pc/products/1404356>

Loop resistance	≤ 290.00 Ω/km
Cable capacity	approx. 50 nF/km (at 1 kHz)
Signal runtime	5.3 ns/m
Tensile strength	≤ 100 N
Minimum bending radius, fixed installation	4 x D
Minimum bending radius, flexible installation	8 x D
Number of bending cycles	5000000
Minimum bending radius, drag chain applications	7,5 x D
Traversing rate	3 m/s
Acceleration	5 m/s <sup>2</sup>
Damping	3.2 dB (with 1 MHz)
	6 dB (at 4 MHz)
	9.5 dB (at 10 MHz)
	12.1 dB (at 16 MHz)
	13.6 dB (at 20 MHz)
	17.1 dB (at 31.25 MHz)
	24.8 dB (at 62.5 MHz)
	32 dB (at 100 MHz)
Near end crosstalk attenuation (NEXT)	65.3 dB (with 1 MHz)
	56.3 dB (at 4 MHz)
	50.3 dB (at 10 MHz)
	47.2 dB (at 16 MHz)
	45.8 dB (at 20 MHz)
	42.9 dB (at 31.25 MHz)
	38.4 dB (at 62.5 MHz)
	35.3 dB (at 100 MHz)
Power-summated near end crosstalk attenuation (PSNEXT)	62.3 dB (with 1 MHz)
	53.3 dB (at 4 MHz)
	47.3 dB (at 10 MHz)
	44.2 dB (at 16 MHz)
	42.8 dB (at 20 MHz)
	39.9 dB (at 31.25 MHz)
	35.4 dB (at 62.5 MHz)
	32.3 dB (at 100 MHz)
Return loss (RL)	23 dB (at 4 MHz)
	24.1 dB (at 8 MHz)
	25 dB (at 10 MHz)
	25 dB (at 16 MHz)
	25 dB (at 20 MHz)
	23.6 dB (at 31.25 MHz)
	21.5 dB (at 62.5 MHz)
	20.1 dB (at 100 MHz)
Halogen-free	according to IEC 60754-1
Resistance to oil	in accordance with EN 60811-2-1

# VS-IP20-IP20-94C/10 - Network cable



1404356

<https://www.phoenixcontact.com/pc/products/1404356>

Flame resistance	according to IEC 60332-1-2
Ambient temperature (operation)	-20 °C ... 80 °C (Cable, flexible installation)
	-40 °C ... 80 °C (cable, fixed installation)

## Environmental and real-life conditions

### Ambient conditions

Degree of protection	IP20
	IP20
Ambient temperature (operation)	-20 °C ... 60 °C (cable, fixed installation)
	0 °C ... 50 °C (Cable, flexible installation)

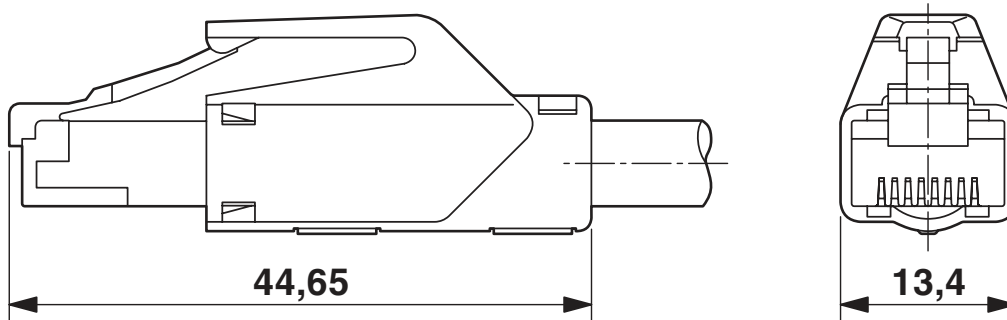
# VS-IP20-IP20-94C/10 - Network cable

1404356

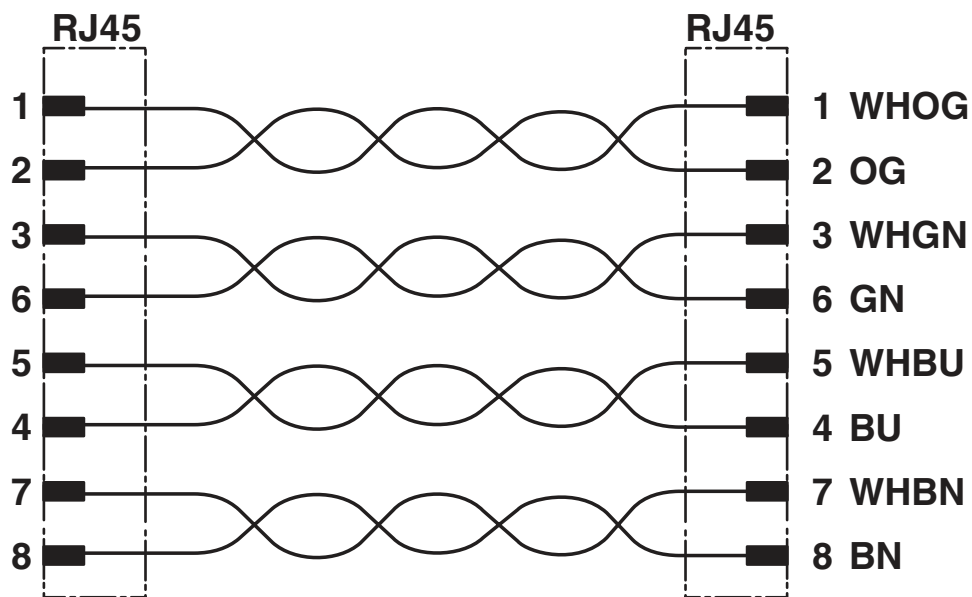
<https://www.phoenixcontact.com/pc/products/1404356>

## Drawings

Dimensional drawing



Circuit diagram



# VS-IP20-IP20-94C/10 - Network cable



1404356

<https://www.phoenixcontact.com/pc/products/1404356>

## Approvals

To download certificates, visit the product detail page: <https://www.phoenixcontact.com/pc/products/1404356>



**EAC**

Approval ID: 19060508

# VS-IP20-IP20-94C/10 - Network cable



1404356

<https://www.phoenixcontact.com/pc/products/1404356>

## Classifications

### ECLASS

ECLASS-11.0	27060308
ECLASS-12.0	27060308
ECLASS-13.0	27060308

### ETIM

ETIM 8.0	EC002599
----------	----------

### UNSPSC

UNSPSC 21.0	26121600
-------------	----------



# VS-IP20-IP20-94C/10 - Network cable



1404356

<https://www.phoenixcontact.com/pc/products/1404356>

## Environmental product compliance

China RoHS	Environmentally friendly use period: unlimited = EFUP-e
	No hazardous substances above threshold values

Phoenix Contact 2023 © - all rights reserved  
<https://www.phoenixcontact.com>

PHOENIX CONTACT GmbH & Co. KG  
Flachmarktstraße 8  
D-32825 Blomberg  
+49 (0) 5235-3 00  
[info@phoenixcontact.com](mailto:info@phoenixcontact.com)