

6

5

4

3

2

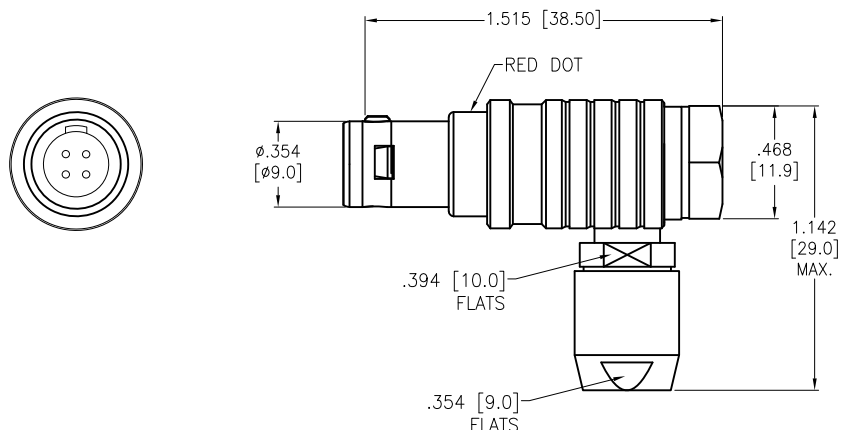
1

APPROVED: _____

DATE: _____ TITLE: _____

| Rev | AWO # | Description | Date | Appr |
|-----|-------|-------------|---------|------|
| - | | RELEASED | 8/16/21 | |

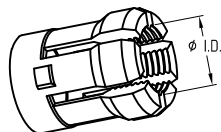
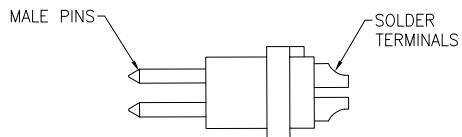
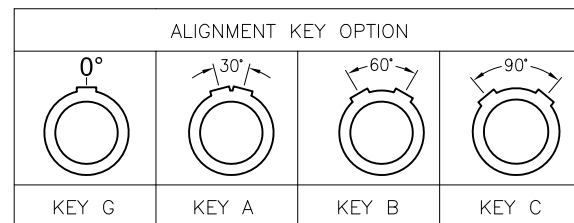
MMI-M1PRXXXSXX



| ALIGNMENT KEY | |
|---------------|-------|
| G | = 0° |
| A | = 30° |
| B | = 60° |
| C | = 90° |

| CABLE COLLET SIZE | |
|-------------------|--------------------|
| 42 | = 3.2mm ~ 4.2mm ID |
| 52 | = 4.2mm ~ 5.2mm ID |
| 62 | = 5.2mm ~ 6.2mm ID |
| 72 | = 6.2mm ~ 7.2mm ID |

| # OF POSITIONS | |
|---------------------|--|
| 02, 03, 04, 05, 06, | |
| 07, 08, 10, 14 & 16 | |



DETAIL

CABLE COLLET

| | 2 Pin | 3 Pin | 4 Pin | 5 Pin | 6 Pin | 7 Pin | 8 Pin | 10 Pin | 14 Pin | 16 Pin |
|---------------------|-------|-------|-------|-------|-------|-------|-------|--------|--------|--------|
| Configuration | | | | | | | | | | |
| Diameter of Pin | ø1.3 | ø1.3 | ø0.9 | ø0.9 | ø0.7 | ø0.7 | ø0.7 | ø0.5 | ø0.5 | ø0.5 |
| Testing Voltage | 1300V | 1300V | 1200V | 1200V | 1000V | 1000V | 1000V | 800V | 800V | 800V |
| Working Voltage | 300V | 300V | 250V | 250V | 200V | 200V | 200V | 200V | 200V | 200V |
| Rated Current / Pin | 9A | 9A | 8A | 7A | 5A | 5A | 5A | 2A | 2A | 2A |
| Max. Wire Awg | 20 | 20 | 22 | 22 | 22 | 22 | 22 | 28 | 28 | 28 |

SPECIFICATIONS:

Material:
Housing (Body): Brass, Natural Chrome plated
Insulator: PPS
Terminal: Brass, Gold Plated
Electrical:
Voltage Rating: See chart
Current Rating: See chart
Dielectric withstanding voltage: See chart
Electrical Life: 5,000 Cycles min.
Temperature Rating:
Operating temperature: -55°C to +150°C
Environmental:
IP50 Protection (Mated Condition)
Lead free, RoHS compliant



| UNLESS OTHERWISE SPECIFIED ALL DIMENSIONS ARE INCHES [MM] TOLERANCES: EXCEPT AS NOTED | | |
|---|--------------|---------|
| INCHES | | HOLES |
| .X ± .10 | ø.X ± .10 | |
| .XX ± .020 | ø.XX ± .015 | |
| .XXX ± .015 | ø.XXX ± .010 | |
| APPROVALS | | DATE |
| DRAWN | SS | 8/16/21 |
| CHECKED | SS | 8/16/21 |
| APPROVED | | |

ADAM TECH
909 Rahway Avenue,
Union, NJ 07083
Phone: 908-687-5000
Fax: 908-687-5710

TITLE: PUSH-PULL CONNECTOR MALE PLUG, METAL, SIZE 1,
RIGHT ANGLE, SOLDER TERMINAL

| | | |
|-------------|----------------------------|--------------|
| SIZE X | PART NO. MMI-M1PRXXXSXX | REV. - |
| REF: SXXXXX | SCALE: NTS | SHEET 1 OF 1 |

6

5

4

3

2

1