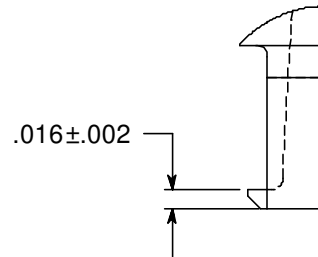
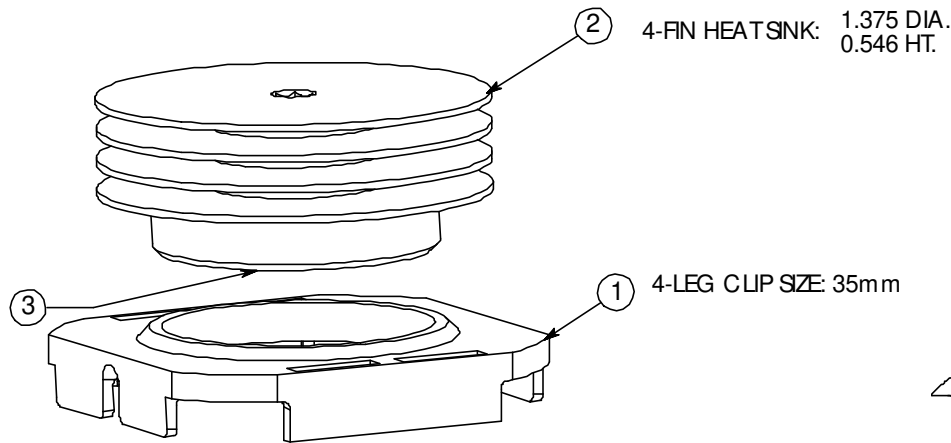
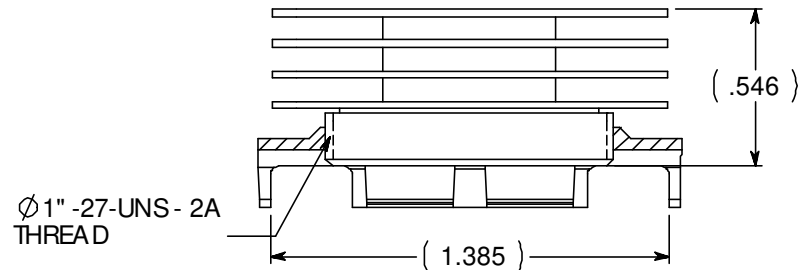
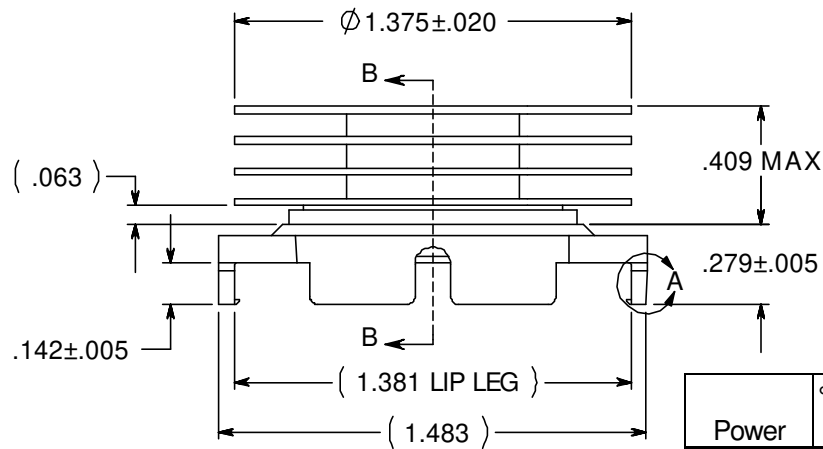


REVISION(S)

LTR	DESCRIPTION	INIT	APP'D
O	ECN: 0S60-0081-04	E.T 03/31/04	B.P 04/07/04
A	ECR-05-017301	E.T 12/15/05	B.P 12/16/05



DETAIL A
SCALE = 6X



SECTION B-B

Power	° C/W @ Ambient	° C/W @ 200 LFM	° C/W @ 400 LFM	° C/W @ 600 LFM
5 Watts	10.81	4.79	3.30	2.15
10 Watts	9.81	4.89	3.34	2.30
15 Watts	9.13	5.11	3.45	2.40

CUSTOMER DRAWING

SPECIFICATIONS ARE SUBJECT TO CHANGE WITHOUT NOTICE

ITEM	DESCRIPTION	QTY
1	MOUNTING CLIP	1
2	HEAT SINK	1
3	INTERFACE	1

DO NOT SCALE

tyco / Electronics Attleboro Falls Massachusetts 02763

UNLESS OTHERWISE SPECIFIED TO LEFANGS ARE:

DRAWN BY: E.TAO	DATE: 03/30/04	MATERIAL: SEE NOTE
ENGINEER: B.PETROCCELLI	DATE: 04/07/04	FINISH: SEE NOTE
FILENAME	PROJECT	SYSTEM

.XX ±
.XXX ±
.XXXX ±
ANGLES ± °

CONFIDENTIAL PROPERTY OF TYCO ELECTRONICS. NOT TO BE DISCLOSED TO OTHERS. REPRODUCED OR USED FOR ANY PURPOSES EXCEPT AS AUTHORIZED IN WRITING BY AN AUTHORIZED OFFICIAL OF TYCO. MUST BE RETURNED TO TYCO ON DEMAND, ON COMPLETION OF ORDERS OR OTHER PURPOSES FOR WHICH LENT.

TITLE: 35mm HS ASSY (HTS248-U)

DIMENSIONS ARE IN: INCHES	SCALE: 1.5:1	PARTNO: 9-1542000-4	SHEET: 1 OF 1
THIRD ANGLE PROJECTION	SIZE: A	DWG. NO. C-9-1542000-4	REV: A