

THIS DRAWING IS UNPUBLISHED.

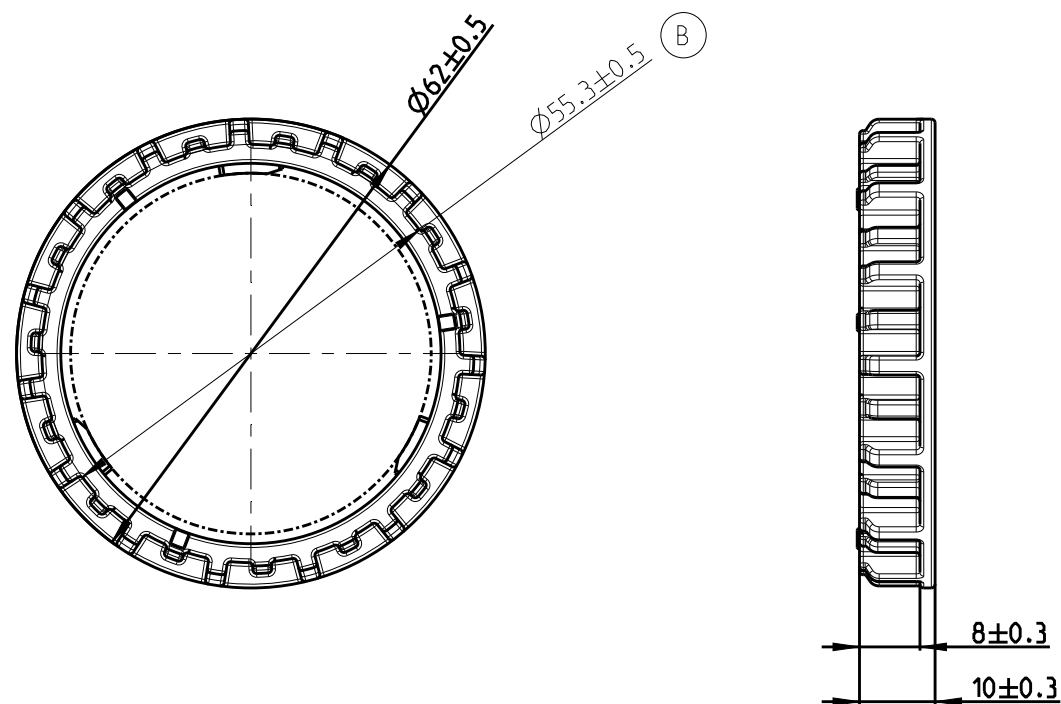
RELEASED FOR PUBLICATION

20

© COPYRIGHT 20 BY - ALL RIGHTS RESERVED.

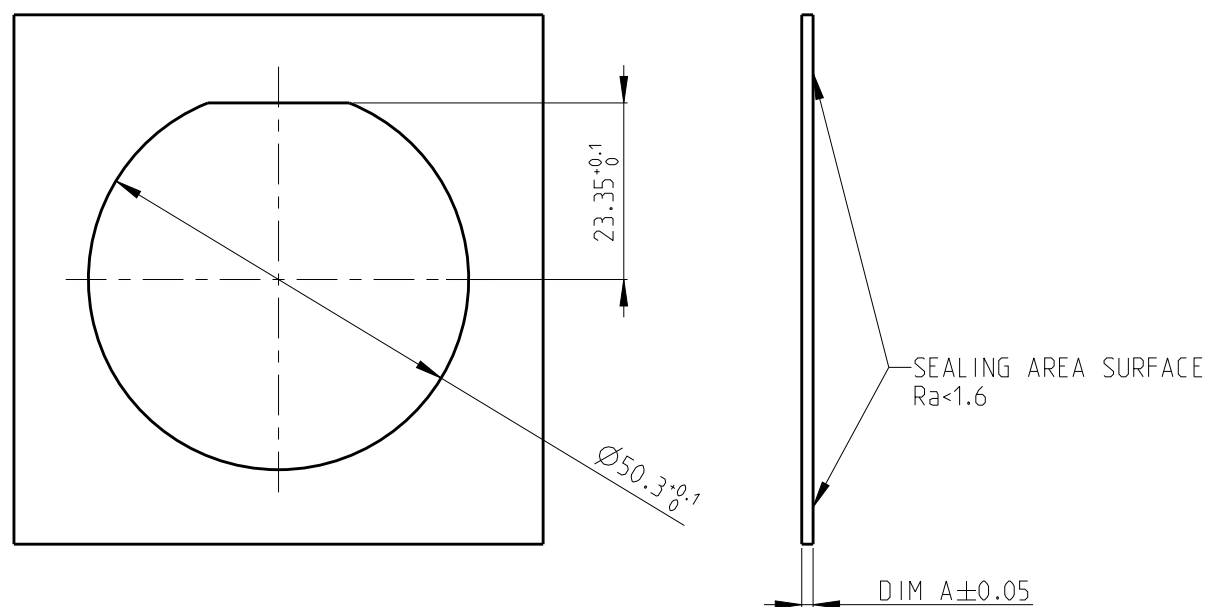
REVISIONS

| P | LTR | DESCRIPTION       | DATE      | DWN | APVD |
|---|-----|-------------------|-----------|-----|------|
|   | A   | RELEASED          | 05MAR2020 | X.L | I.Y  |
|   | B   | SEE ECR-20-017293 | 27NOV2020 | L.G | I.Y  |
|   |     |                   |           |     |      |
|   |     |                   |           |     |      |



1. MATERIAL: PBT GF30 ,COLOR SEE TABLE
2. PRODUCT IS USED WITH THROUGH WALL CONNECTOR X-2366509-X

RECOMMENDED WALL INTERFACE



|           |        |                              |
|-----------|--------|------------------------------|
| 2366517-4 | BLUE   | 4.0±0.05                     |
| 2366517-3 | GREEN  | 3.5±0.05                     |
| 2366517-2 | GRAY   | 3.0±0.05                     |
| 2366517-1 | YELLOW | 1.5±0.05                     |
| TE PN     | COLOR  | WALL THICKNESS<br>DIM A±0.05 |

THIS DRAWING IS A CONTROLLED DOCUMENT.

|      |       |           |
|------|-------|-----------|
| DWN  | X.LI  | 19FEB2020 |
| CHK  | W.WU  | 02MAR2020 |
| APVD | I.YIN | 05MAR2020 |



| DIMENSIONS: | TOLERANCES UNLESS OTHERWISE SPECIFIED: |
|-------------|--|
| mm          |  |
|             | 0 PLC ±                                |
|             | 1 PLC ±                                |
|             | 2 PLC ±                                |
|             | 3 PLC ±                                |
|             | 4 PLC ±                                |
|             | ANGLES ±                               |
| MATERIAL    | FINISH                                 |
| -           | -                                      |
| -           | -                                      |

|                  |   |
|------------------|---|
| PRODUCT SPEC     | - |
| APPLICATION SPEC | - |
| WEIGHT           | - |

|                                       |           |            |                    |
|---------------------------------------|-----------|------------|--------------------|
| NAME<br>FIX RING<br>NTS 48P CONNECTOR |           |            |                    |
| SIZE                                  | CAGE CODE | DRAWING NO | RESTRICTED TO      |
| A3                                    | -         | ©=2366517  | -                  |
| CUSTOMER DRAWING                      |           | SCALE 1:1  | SHEET 1 OF 1 REV B |