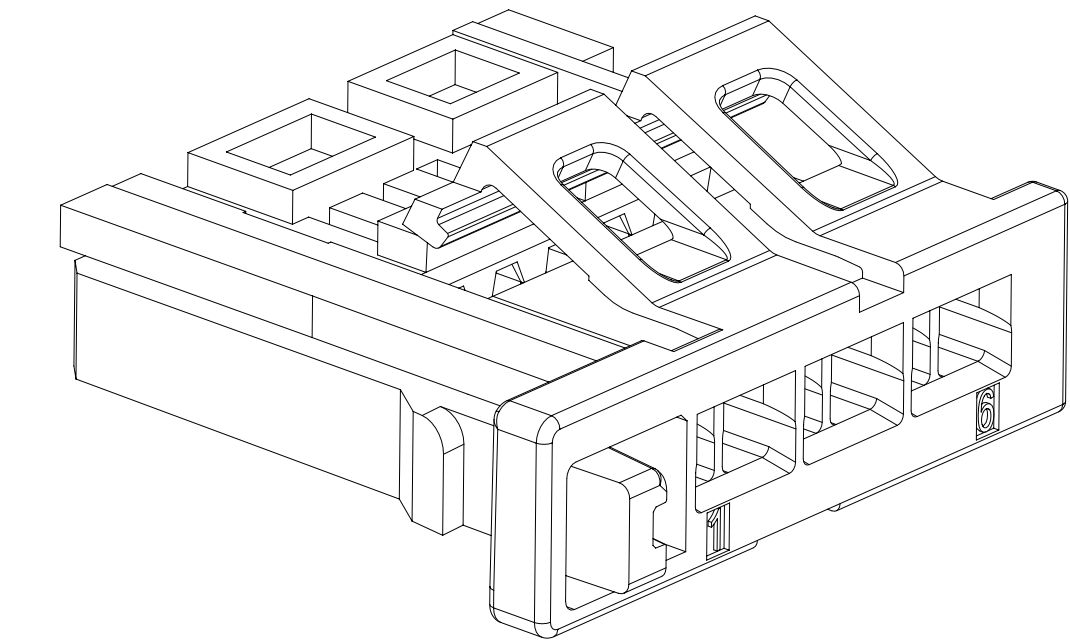
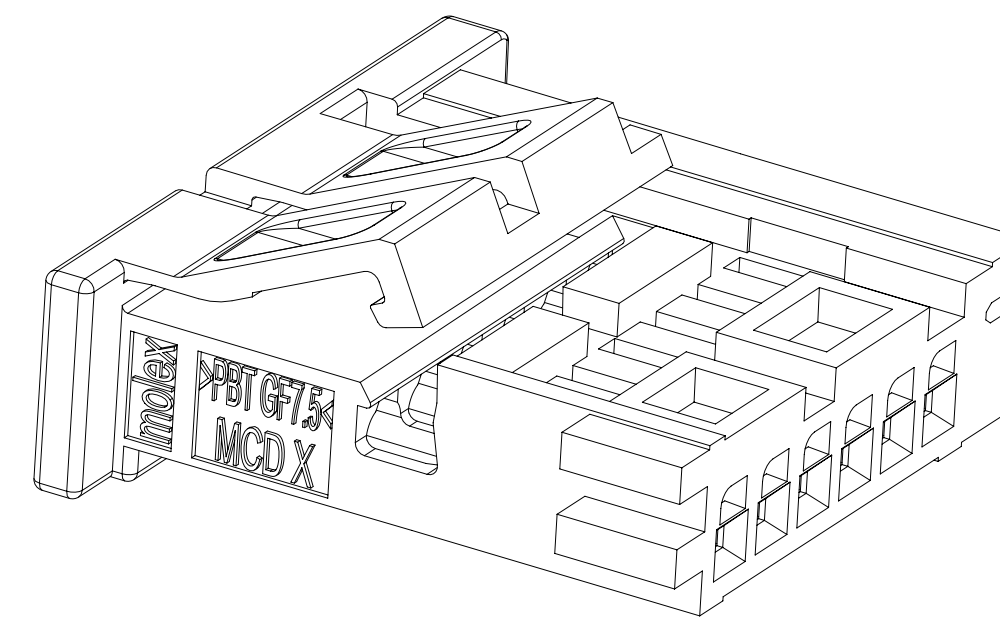


EXAMPLE:

PN 2058272081
 205827 - SERIES NUMBER: SINGLE ROW RECEPTACLE
 2 - TYPE OF COMPONENT: STANDARD MATL RECPT
 06 - 06 USABLE CIRCUITS
 1 - POL A

FINAL PART: 06CKT SINGLE ROW RECEPTACLE - POL A

6 WAY RECEPTACLE SHOWN



| | SERIES NUMBERS (AAAAAA) | TYPE OF COMPONENT (B) | USABLE CIRCUITS (CC) | POL (D) |
|--------------|--|-----------------------|----------------------|-------------------|
| ON DRAWING | 205827 - TANG RECEPTACLE | 2 - STANDARD MATERIAL | 02 - 2 Circuits | 0 - No POL or N/A |
| MATING PARTS | 208033 - RIGHT ANGLE SMT HEADER - TAPE & REEL | | ... | 1 - POL A |
| | 208034 - RIGHT ANGLE SMT HIGH PERFORMANCE HEADER - TAPE & REEL | | ... | 2 - POL B |
| | 208035 - VERTICAL SMT HEADER - TAPE & REEL | | ... | 3 - POL C |
| | 208036 - VERTICAL SMT HIGH PERFORMANCE HEADER - TAPE & REEL | | 22 - 22 Circuits | 4 - POL D |

NOTES: VALID UNLESS OTHERWISE SPECIFIED

1. GENERAL:

- 1.1 APPLICATION SPECIFICATION SEE: 2046310000-AS
- 1.2 PRODUCT SPECIFICATION SEE: 2046310000-PS
- 1.3 PACKAGING SPECIFICATION PER MOLEX DRAWING: PK-31301-538
- 1.4 PARTS MUST BE IN COMPLIANCE TO MOLEX CHEMICAL SUBSTANCES FOR PRODUCTS AND PACKAGING SPECIFICATION: QEHS-699000-300 (FOR SUPPLIERS) OR QEHS-699000-304 (INTERNAL)
- 1.5 DATA MUST BE SUBMITTED UNDER THE MOLEX PART NUMBER TO IMDS (COMPANY ID#13255)
- 1.6 COMPATIBLE WITH AK INTERFACE TO DRAWING C-114-94000-20 REV A1

2. DESIGN - MATERIALS:

- 2.1 RECEPTACLE HOUSING:
 - a. MATERIAL: PBT-GF7.5%
 - b. COLOR: SEE PART TABLE

3. DESIGN - GEOMETRY:

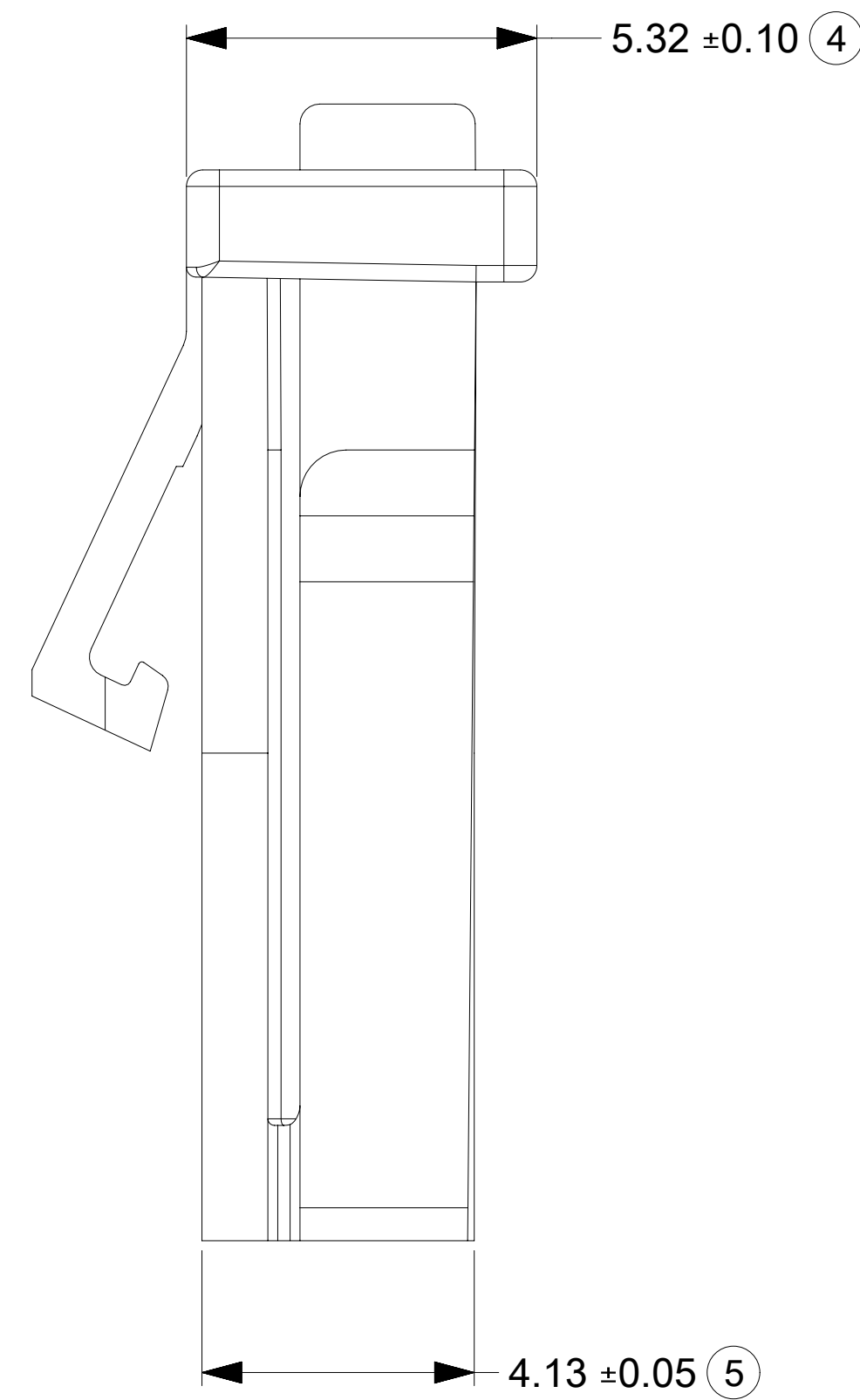
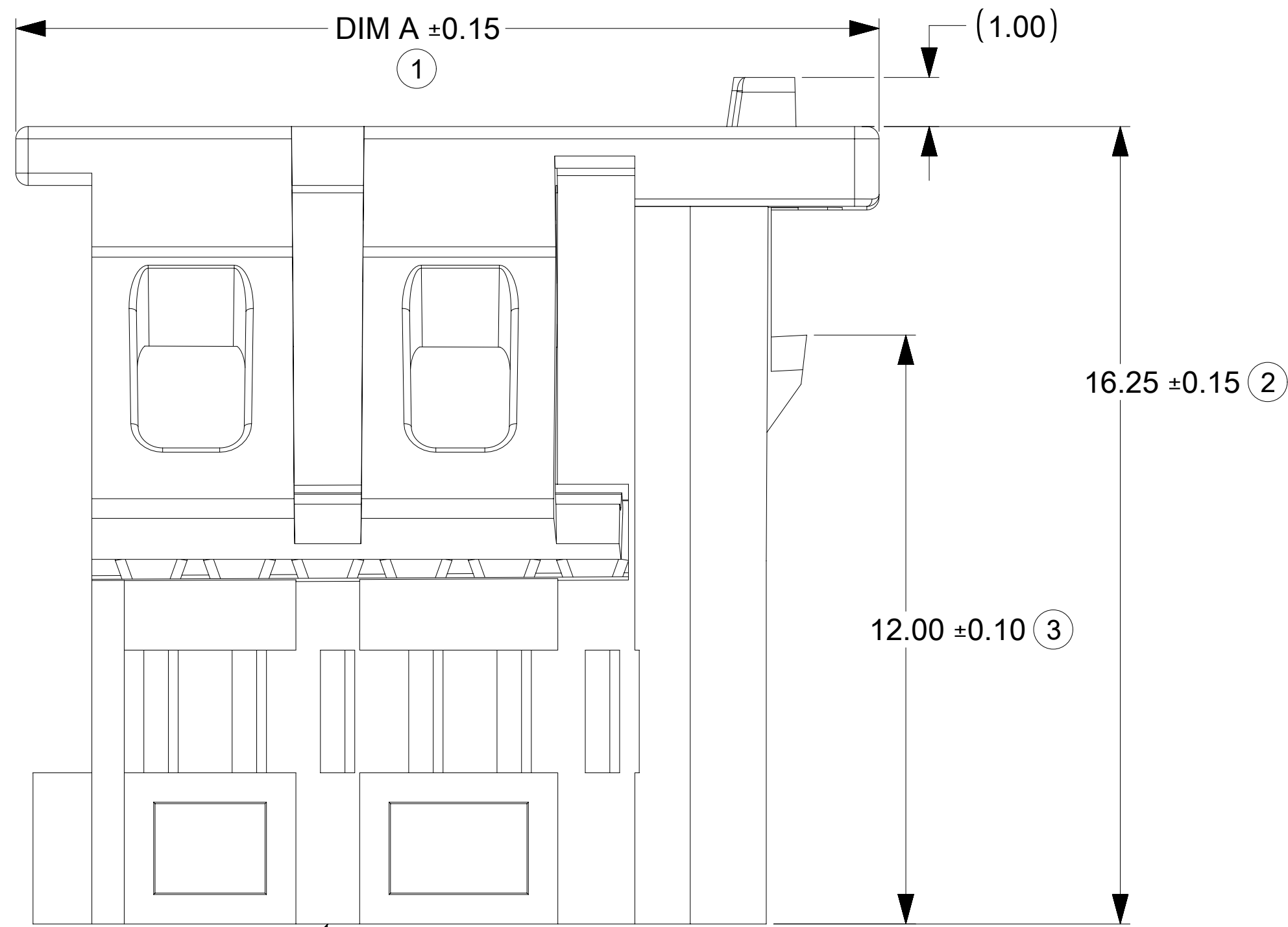
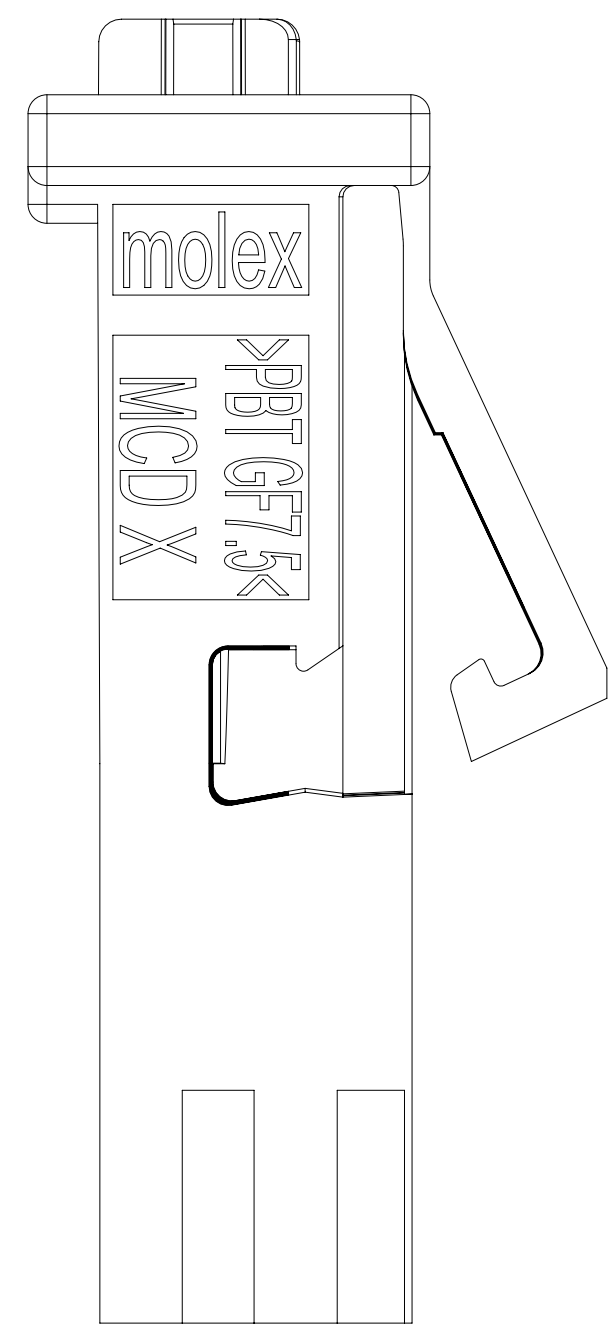
- 3.1 GEOMETRIC DIMENSIONS AND TOLERANCES PER ASME Y14.5M-2009
- 3.2 EDGES AND UNDIMENSIONED DETAILS PER ISO13715
- 3.3 CORNERS SHOWN AS SHARP TO BE R 0.2 MAX.
- 3.4 MARKED TEXT TO INCLUDE:
 - a. FOR RECEPTACLE COMPONENT: RECYCLING CODE, CAVITY ID, AND VENDOR IDENTIFICATION.

| INTERFACE | INTERFACE CKT SIZE | DIM A | DIM B | POL | COLOR | RECEPTACLE P/N | PART STATUS |
|-----------|--------------------|-------|-------|-----|---------|----------------|--------------------------|
| | 2 | 10.40 | 7.75 | A | BLACK | 2058272021 | AVAILABLE |
| | | | | B | NATURAL | 2058272022 | |
| | | | | C | BLUE | 2058272023 | |
| | | | | D | VIOLET | 2058272024 | |
| | 3 | 12.20 | 9.55 | A | BLACK | 2058272031 | AVAILABLE |
| | | | | B | NATURAL | 2058272032 | |
| | | | | C | BLUE | 2058272033 | |
| | | | | D | VIOLET | 2058272034 | |
| | 4 | 14.00 | 11.35 | A | BLACK | 2058272041 | AVAILABLE |
| | | | | B | NATURAL | 2058272042 | |
| | | | | C | BLUE | 2058272043 | |
| | | | | D | VIOLET | 2058272044 | |
| | 5 | 15.80 | 13.15 | A | BLACK | 2058272051 | AVAILABLE |
| | | | | B | NATURAL | 2058272052 | |
| | | | | C | BLUE | 2058272053 | |
| | | | | D | VIOLET | 2058272054 | |
| | 6 | 17.60 | 14.95 | A | BLACK | 2058272061 | AVAILABLE |
| | | | | B | NATURAL | 2058272062 | |
| | | | | C | BLUE | 2058272063 | |
| | | | | D | VIOLET | 2058272064 | |
| | 7 | 19.40 | 16.75 | A | BLACK | 2058272071 | INQUIRE FOR AVAILABILITY |
| | | | | B | NATURAL | 2058272072 | |
| | | | | C | BLUE | 2058272073 | |
| | | | | D | VIOLET | 2058272074 | |
| | 8 | 21.20 | 18.55 | A | BLACK | 2058272081 | INQUIRE FOR AVAILABILITY |
| | | | | B | NATURAL | 2058272082 | |
| | | | | C | BLUE | 2058272083 | |
| | | | | D | VIOLET | 2058272084 | |
| | 9 | 23.00 | 20.35 | A | BLACK | 2058272091 | INQUIRE FOR AVAILABILITY |
| | | | | B | NATURAL | 2058272092 | |
| | | | | C | BLUE | 2058272093 | |
| | | | | D | VIOLET | 2058272094 | |
| | 10 | 24.80 | 22.15 | A | BLACK | 2058272101 | INQUIRE FOR AVAILABILITY |
| | | | | B | NATURAL | 2058272102 | |
| | | | | C | BLUE | 2058272103 | |
| | | | | D | VIOLET | 2058272104 | |
| | 11 | 26.60 | 23.95 | A | BLACK | 2058272111 | INQUIRE FOR AVAILABILITY |
| | | | | B | NATURAL | 2058272112 | |
| | | | | C | BLUE | 2058272113 | |
| | | | | D | VIOLET | 2058272114 | |

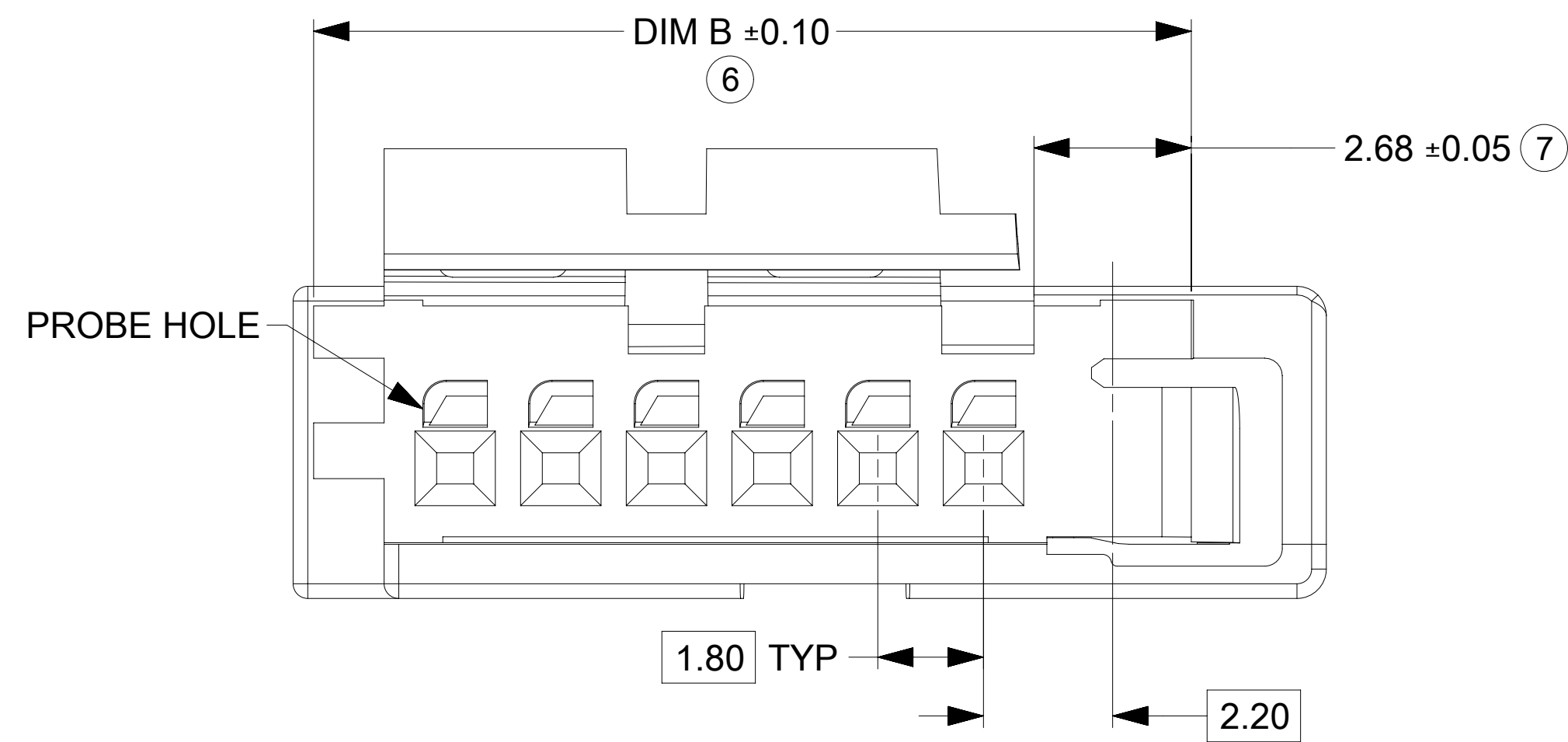
| INSPECION BALLOON NUMBER LOG | | |
|------------------------------|-----|---|
| PER DRAWING REVISION: A3 | A3 | CHANGED POL B COLOR FROM GRAY TO NATURAL |
| LAST BALLOON USED: 17 | A2 | CHANGED DIM A DIMENSIONS |
| ADDED BALLOON NUMBERS: | A1 | ADDED DIMENSION BALLOONS UPDATED TOERLANCE FOR DIM 3 |
| REMOVED BALLOON NUMBERS: | A | INITIAL RELEASE |
| | REV | DESCRIPTION |

THIS DRAWING CONTAINS INFORMATION THAT IS PROPRIETARY TO MOLEX ELECTRONIC TECHNOLOGIES, LLC AND SHOULD NOT BE USED WITHOUT WRITTEN PERMISSION

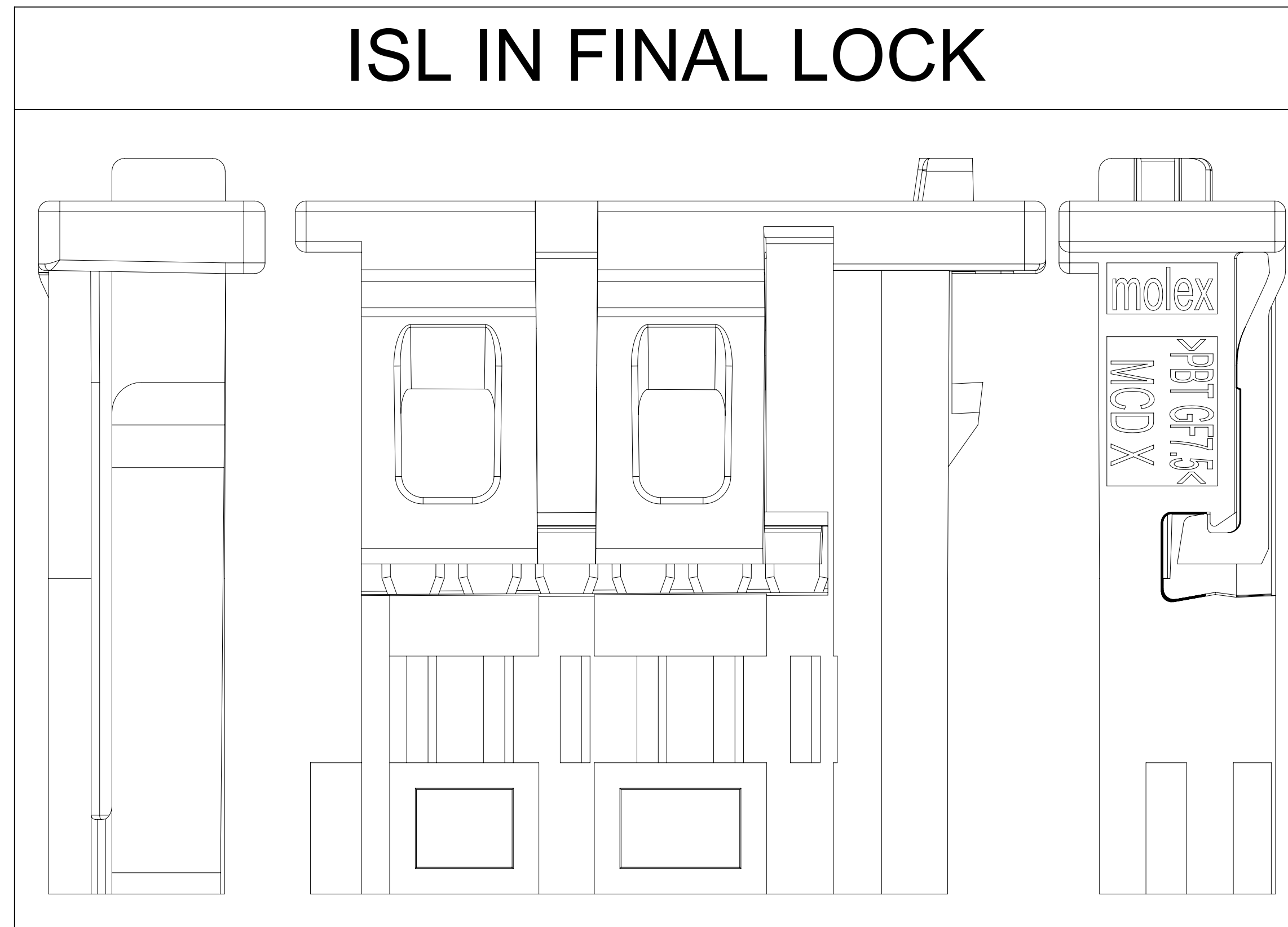
| | | | | | | | |
|--|------------|-------------------------------|--|---------------------------------|--|------------------|--|
| DIMENSION UNITS: mm | SCALE: 6:1 | CURRENT REV DESC: | | molex | | | |
| GENERAL TOLERANCES (UNLESS SPECIFIED) | | EC NO: 675374 | | | | | |
| ANGULAR TOL: ± ° | | DRWN: VBALASUBRAMA 2021/08/25 | | PRODUCT CUSTOMER DRAWING | | | |
| 4 PLACES: ± | | CHK'D: JDUNAJ 2021/08/26 | | DOCUMENT NUMBER: 2058270002 | | | |
| 3 PLACES: ± | | APPR: JDUNAJ 2021/08/26 | | DOC TYPE: PSD | | | |
| 2 PLACES: ± | | INITIAL REVISION: | | DOC PART: 000 | | | |
| 1 PLACE: ± | | DRWN: KHEWITT 2019/02/20 | | REVISION: A3 | | | |
| 0 PLACES: ± | | APPR: JDUNAJ 2019/06/12 | | SHEET NUMBER: 1 OF 2 | | | |
| DRAFT WHERE APPLICABLE MUST REMAIN WITHIN DIMENSIONS | | THIRD ANGLE PROJECTION | | DRAWING: D-SIZE | | SERIES: 205827 | |
| | | | | MATERIAL NUMBER: GENERAL MARKET | | CUSTOMER: 1 OF 2 | |



CIRCUITS 6-11 CONTAIN 2ND RIB



ISL IN FINAL LOCK



POLARIZATION / KEYS / CODING

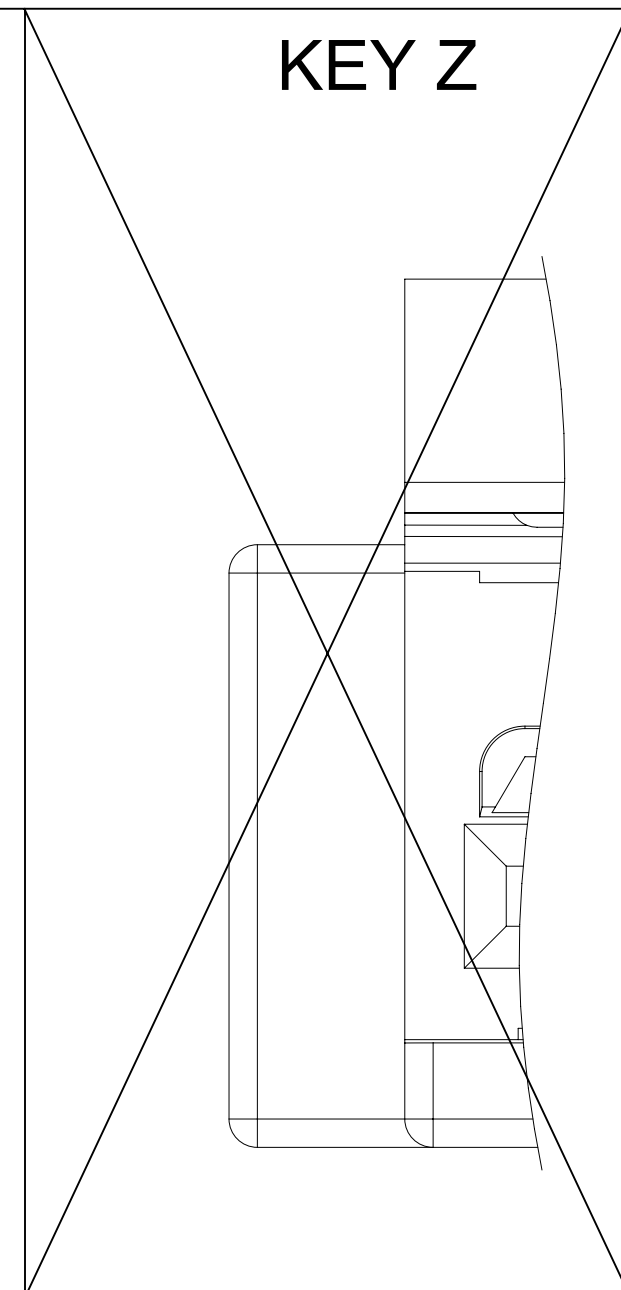
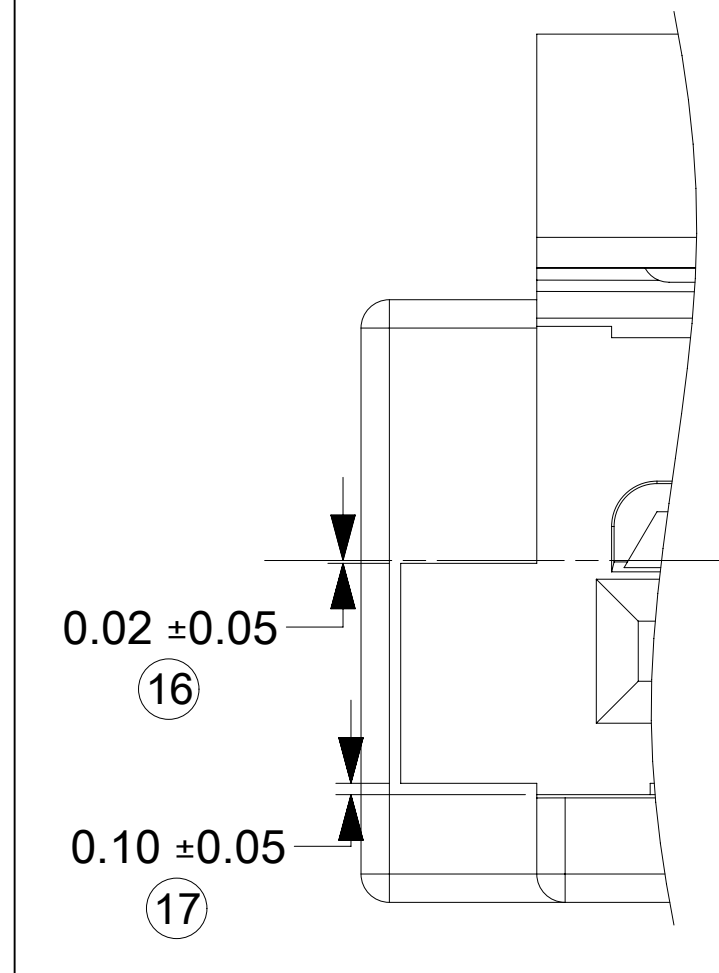
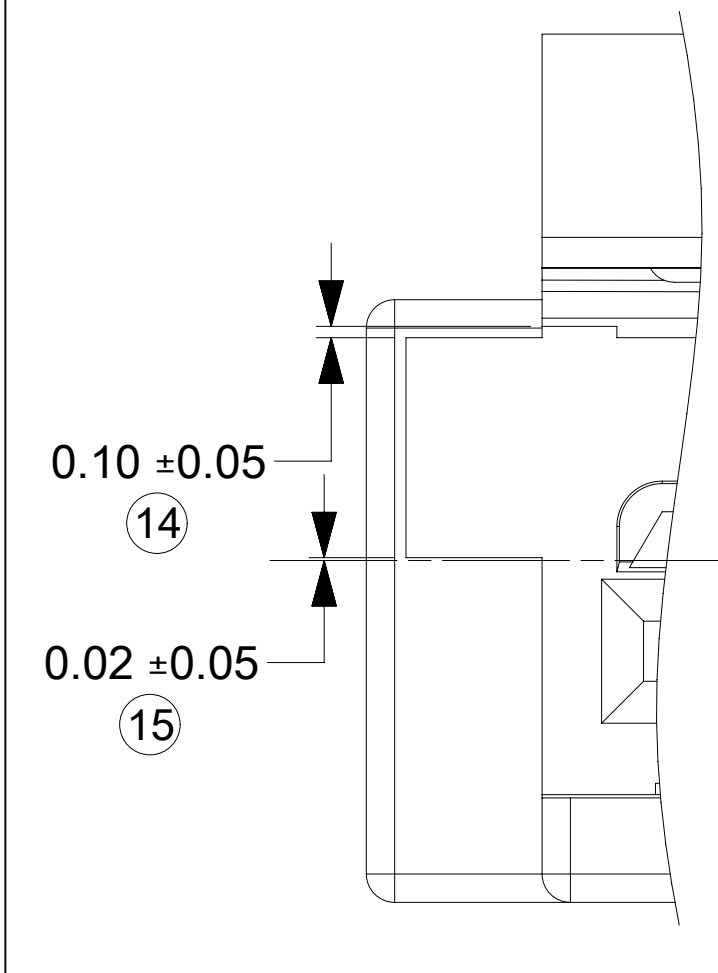
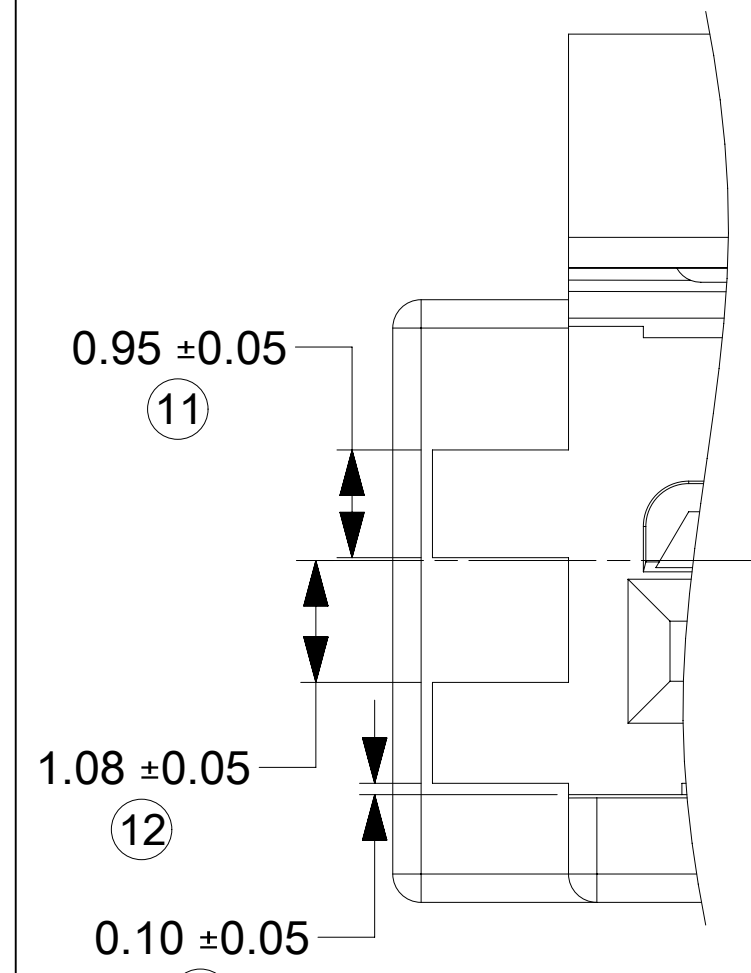
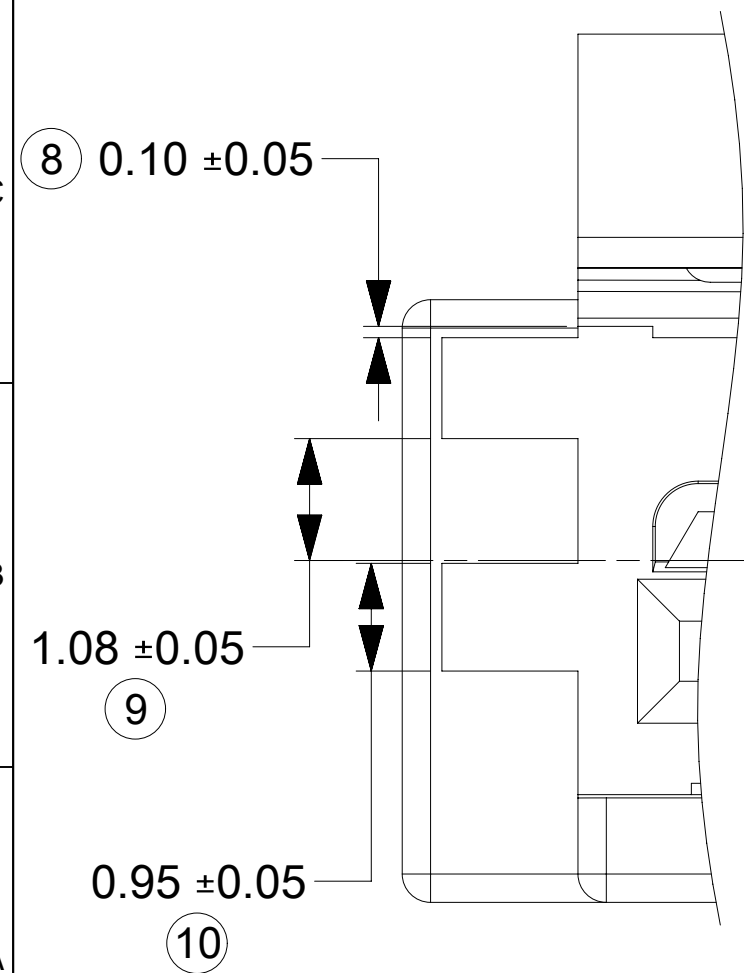
KEY A

KEY B

KEY C

KEY D

KEY Z



THIS DRAWING CONTAINS INFORMATION THAT IS PROPRIETARY TO MOLEX ELECTRONIC TECHNOLOGIES, LLC AND SHOULD NOT BE USED WITHOUT WRITTEN PERMISSION

DIMENSION UNITS: mm SCALE: 10:1

| | |
|---------------------------------------|-----|
| GENERAL TOLERANCES (UNLESS SPECIFIED) | |
| ANGULAR TOL | ± ° |
| 4 PLACES | ± |
| 3 PLACES | ± |
| 2 PLACES | ± |
| 1 PLACE | ± |
| 0 PLACES | ± |

CURRENT REV DESC:
 EC NO: 675374
 DRWN: VBALASUBRAMA 2021/08/25
 CHK'D: JDUNAJ 2021/08/26
 APPR: JDUNAJ 2021/08/26
 INITIAL REVISION:
 DRWN: KHEWITT 2019/02/20
 APPR: JDUNAJ 2019/06/12

| | | |
|---------------------------------------|----------|----------|
| molex | | |
| CONNTAK50 SR TNG RECEPTACLE SALES DWG | | |
| PRODUCT CUSTOMER DRAWING | | |
| DOCUMENT NUMBER | DOC TYPE | DOC PART |
| 2058270002 | PSD | 000 |
| REVISION | A3 | |
| | 2 OF 2 | |