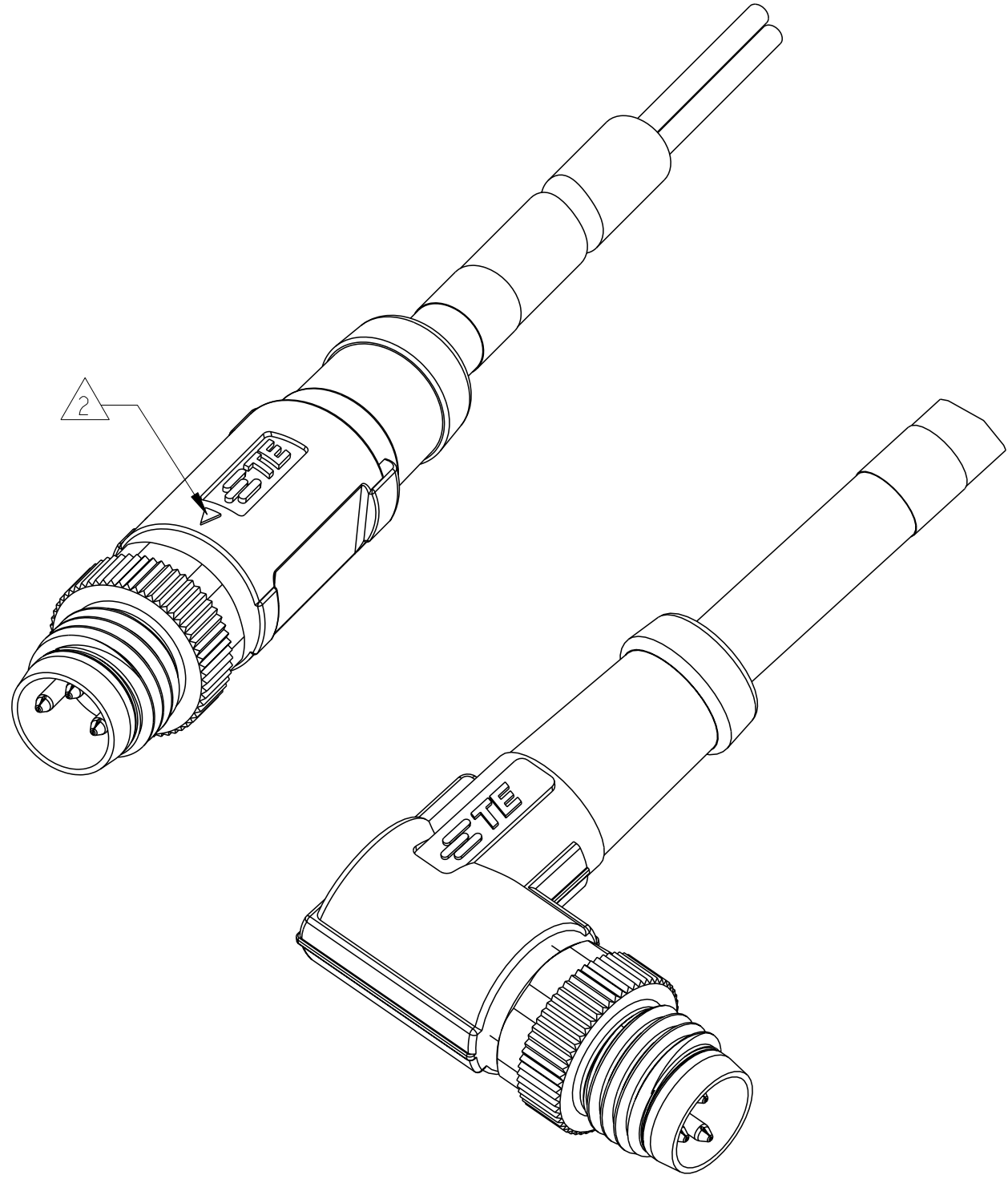


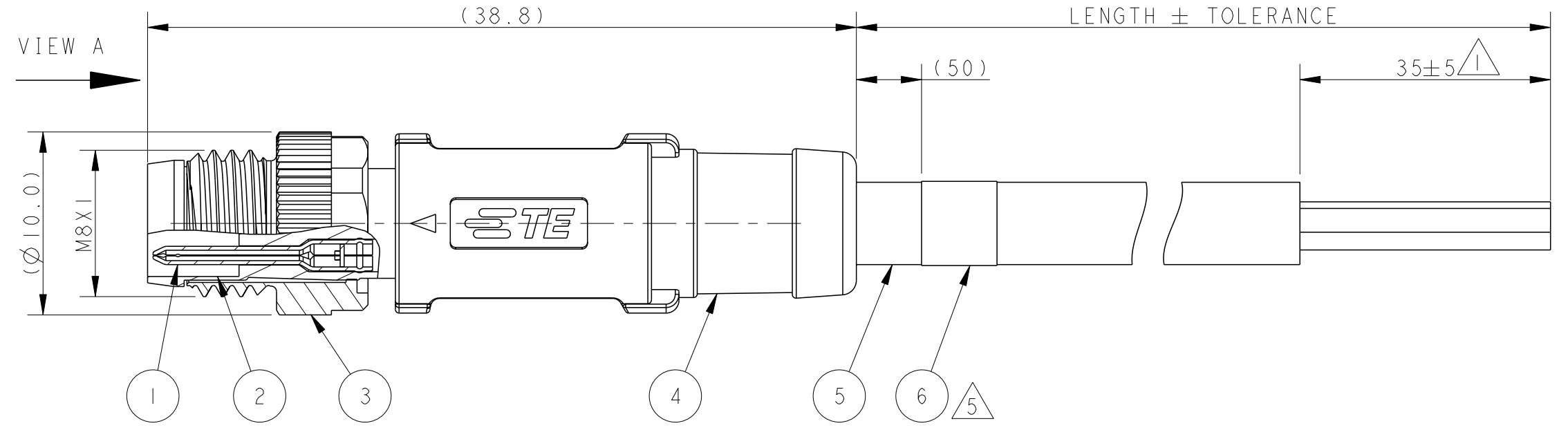
THIS DRAWING IS UNPUBLISHED. 2021 TE Connectivity. All Rights Reserved. RELEASED FOR PUBLICATION ALL RIGHTS RESERVED.

REVISIONS				
P	LTR	DESCRIPTION	DATE	APVD
	A	INITIAL RELEASE	11APR2021	BP CW

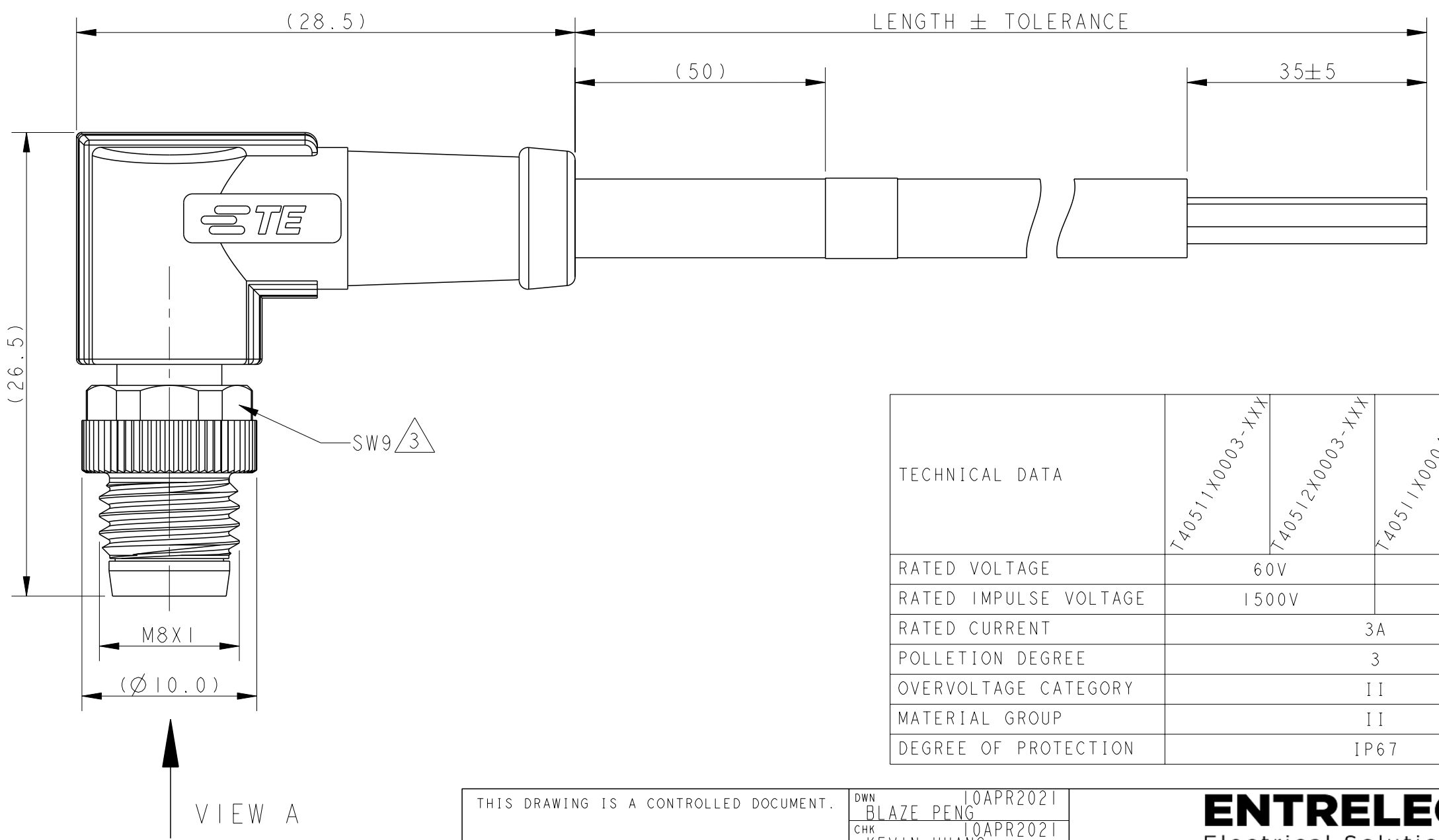
ITEM	DESCRIPTION	MATERIAL	OTHERS
1	MALE CONTACT	COPPER ALLOY	FLASH GOLD
2	HOUSING	NYLON	BLACK
3	COUPLING NUT	COPPER ALLOY	-
4	OVER-MOLDING	POLYURETHANE	BLUE
5	CABLE	1=PVC 2=PUR	PVC:BLACK PUR:GRAY
6	LABEL	-	-



**(T40511\*) M8 STRAIGHT MALE SINGLE ENDED CABLE ASSEMBLY (Unshielded)**



**(T40512\*) M8 RIGHT ANGLE MALE SINGLE ENDED CABLE ASSEMBLY (Unshielded)**



PN	T40511X0003-XXX T40512X0003-XXX	T40511X0004-XXX T40512X0004-XXX																				
VIEW A																						
WIRING DIAGRAM	<table border="1"> <thead> <tr> <th>PIN</th> <th>WIRE</th> </tr> </thead> <tbody> <tr> <td>1</td> <td>BROWN</td> </tr> <tr> <td>2</td> <td>---</td> </tr> <tr> <td>3</td> <td>BLUE</td> </tr> <tr> <td>4</td> <td>BLACK</td> </tr> </tbody> </table>	PIN	WIRE	1	BROWN	2	---	3	BLUE	4	BLACK	<table border="1"> <thead> <tr> <th>PIN</th> <th>WIRE</th> </tr> </thead> <tbody> <tr> <td>1</td> <td>BROWN</td> </tr> <tr> <td>2</td> <td>WHITE</td> </tr> <tr> <td>3</td> <td>BLUE</td> </tr> <tr> <td>4</td> <td>BLACK</td> </tr> </tbody> </table>	PIN	WIRE	1	BROWN	2	WHITE	3	BLUE	4	BLACK
PIN	WIRE																					
1	BROWN																					
2	---																					
3	BLUE																					
4	BLACK																					
PIN	WIRE																					
1	BROWN																					
2	WHITE																					
3	BLUE																					
4	BLACK																					
STANDARD	CODING REQUIRED TO IEC 61076-2-104																					

TECHNICAL DATA	T40511X0003-XXX	T40512X0003-XXX	T40511X0004-XXX	T40512X0004-XXX
RATED VOLTAGE	60V		30V	
RATED IMPULSE VOLTAGE	1500V		800V	
RATED CURRENT			3A	
POLLETION DEGREE			3	
OVERVOLTAGE CATEGORY			II	
MATERIAL GROUP			II	
DEGREE OF PROTECTION			IP67	

THIS DRAWING IS A CONTROLLED DOCUMENT.

DWN: BLAZE PENG 10APR2021  
CHK: KEVIN HUANG 10APR2021  
APVD: CHRIS WANG 10APR2021

**ENTRELEC**  
Electrical Solutions

NAME: M8 CABLE ASSEMBLY SINGLE END UNSHIELDED

PRODUCT SPEC: 108-106140  
APPLICATION SPEC: 114-137144-1

SIZE: A2 CAGE CODE: 00779 DRAWING NO: ISET310C01R000 RESTRICTED TO: -

MATERIAL: - DIMENSIONS: mm TOLERANCES UNLESS OTHERWISE SPECIFIED: 0 PLC ±, 1 PLC ±, 2 PLC ±, 3 PLC ±, 4 PLC ±, ANGLES ±, FINISH -

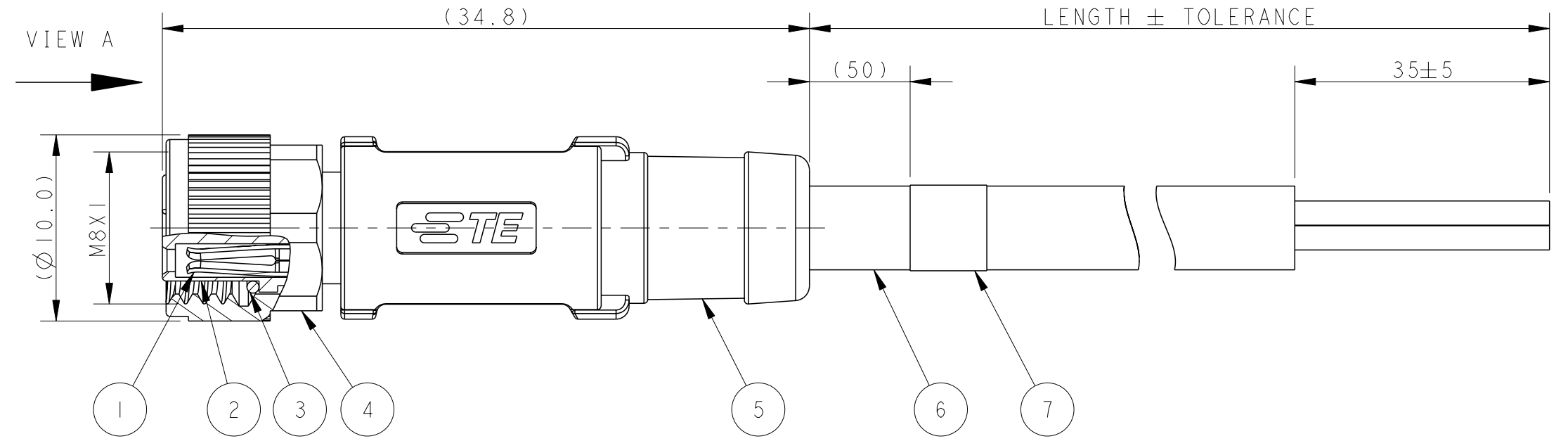
CUSTOMER DRAWING SCALE: 1:1 SHEET 1 OF 3 REV A

THIS DRAWING IS UNPUBLISHED. 2021 TE Connectivity. All Rights Reserved. RELEASED FOR PUBLICATION ALL RIGHTS RESERVED. COPYRIGHT

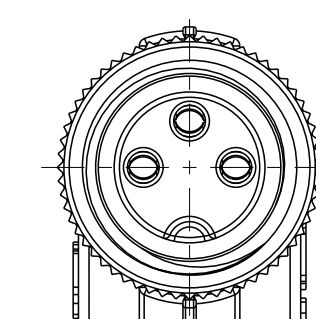
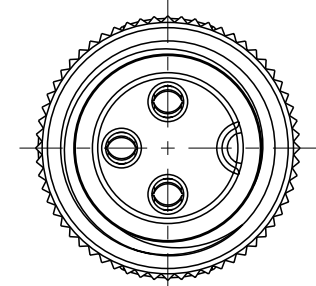
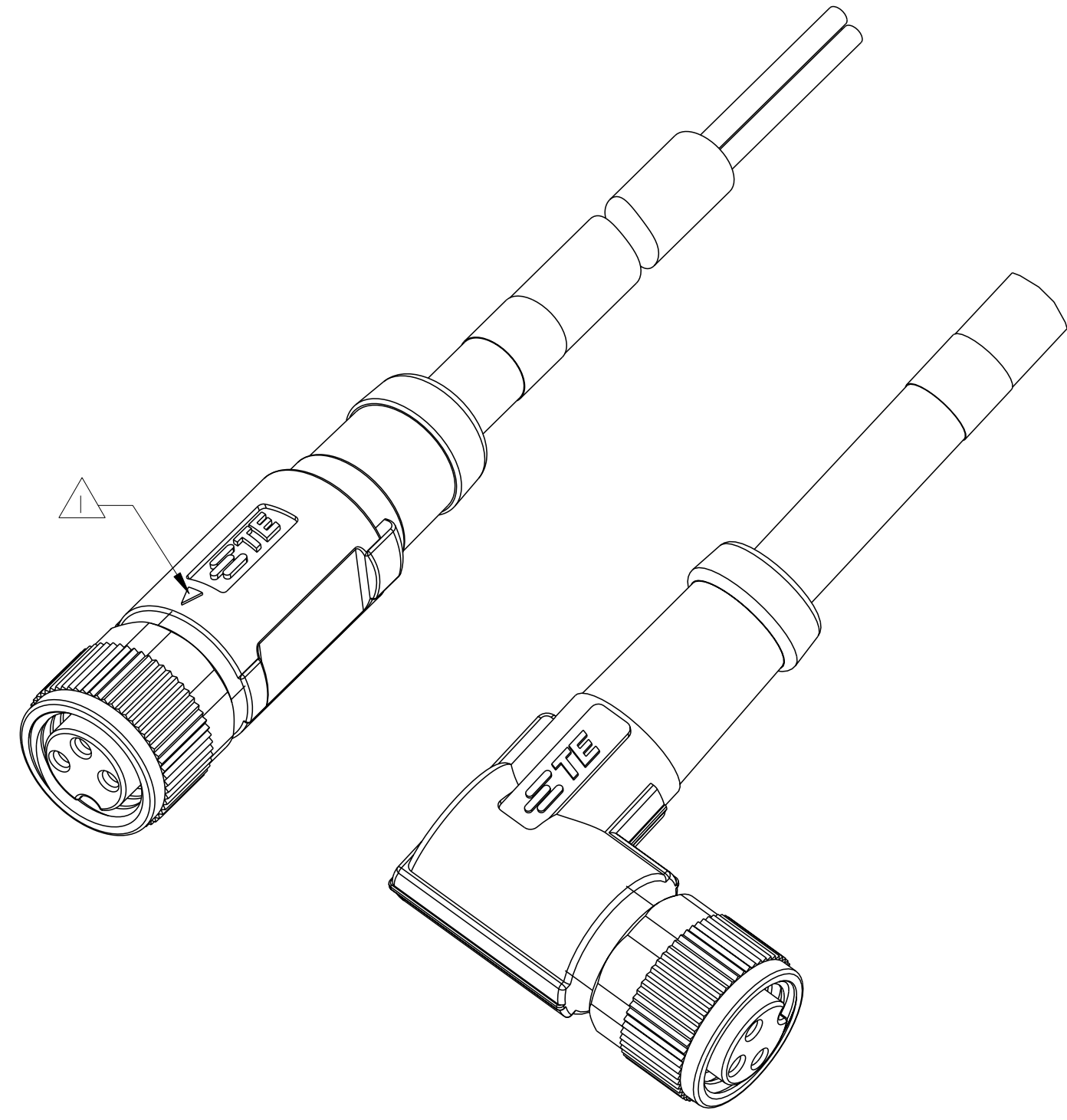
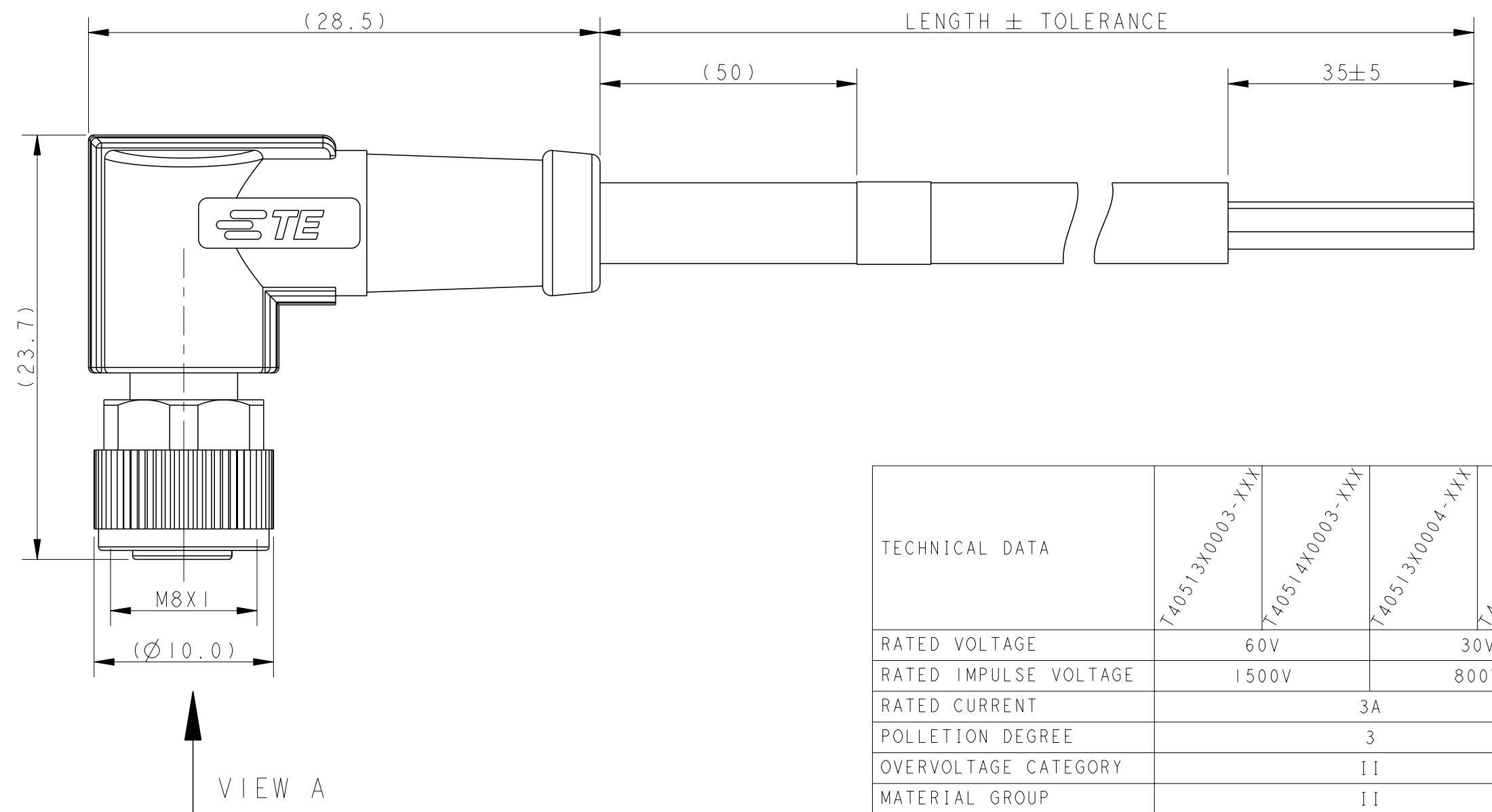
REVISIONS				
P	LTR	DESCRIPTION	DATE	APVD
		SEE SHEET 1		

ITEM	DESCRIPTION	MATERIAL	OTHERS
1	FEMALE CONTACT	COPPER ALLOY	FLASH GOLD
2	HOUSING	NYLON	BLACK
3	O-RING	SILICONE	GRAY
4	COUPLING NUT	COPPER ALLOY	-
5	OVER-MOLDING	POLYURETHANE	BLUE
6	CABLE	1=PVC 2=PUR	PVC:BLACK PUR:GRAY
7	LABEL	-	-

### (T40513\*) M8 STRAIGHT FEMALE SINGLE ENDED CABLE ASSEMBLY (Unshielded)



### (T40514\*) M8 RIGHT ANGLE FEMALE SINGLE ENDED CABLE ASSEMBLY (Unshielded)



PN	T40513X0003-XXX	T40513X0004-XXX																				
	T40514X0003-XXX	T40514X0004-XXX																				
VIEW A																						
WIRING DIAGRAM	<table border="1"> <thead> <tr> <th>PIN</th> <th>WIRE</th> </tr> </thead> <tbody> <tr> <td>1</td> <td>BROWN</td> </tr> <tr> <td>2</td> <td>---</td> </tr> <tr> <td>3</td> <td>BLUE</td> </tr> <tr> <td>4</td> <td>BLACK</td> </tr> </tbody> </table>	PIN	WIRE	1	BROWN	2	---	3	BLUE	4	BLACK	<table border="1"> <thead> <tr> <th>PIN</th> <th>WIRE</th> </tr> </thead> <tbody> <tr> <td>1</td> <td>BROWN</td> </tr> <tr> <td>2</td> <td>WHITE</td> </tr> <tr> <td>3</td> <td>BLUE</td> </tr> <tr> <td>4</td> <td>BLACK</td> </tr> </tbody> </table>	PIN	WIRE	1	BROWN	2	WHITE	3	BLUE	4	BLACK
PIN	WIRE																					
1	BROWN																					
2	---																					
3	BLUE																					
4	BLACK																					
PIN	WIRE																					
1	BROWN																					
2	WHITE																					
3	BLUE																					
4	BLACK																					
STANDARD	CODING REQUIRED TO IEC 61076-2-104																					

TECHNICAL DATA	T40513X0003-XXX	T40514X0003-XXX	T40513X0004-XXX	T40514X0004-XXX
RATED VOLTAGE	60V		30V	
RATED IMPULSE VOLTAGE	1500V		800V	
RATED CURRENT			3A	
POLLETION DEGREE			3	
OVERVOLTAGE CATEGORY			II	
MATERIAL GROUP			II	
DEGREE OF PROTECTION			IP67	

THIS DRAWING IS A CONTROLLED DOCUMENT. DWN: BLAZE PENG 10APR2021  
CHK: KEVIN HUANG 10APR2021  
APVD: CHRIS WANG 10APR2021

**ENTRELEC**  
Electrical Solutions

NAME: M8 CABLE ASSEMBLY SINGLE END UNSHIELDED

PRODUCT SPEC: 108-106140  
APPLICATION SPEC: 114-137144-1

SIZE: A2 CAGE CODE: 00779 DRAWING NO: C-1SET310C01R0000 RESTRICTED TO: -  
SCALE: 1:1 SHEET: 2 OF 3 REV: A

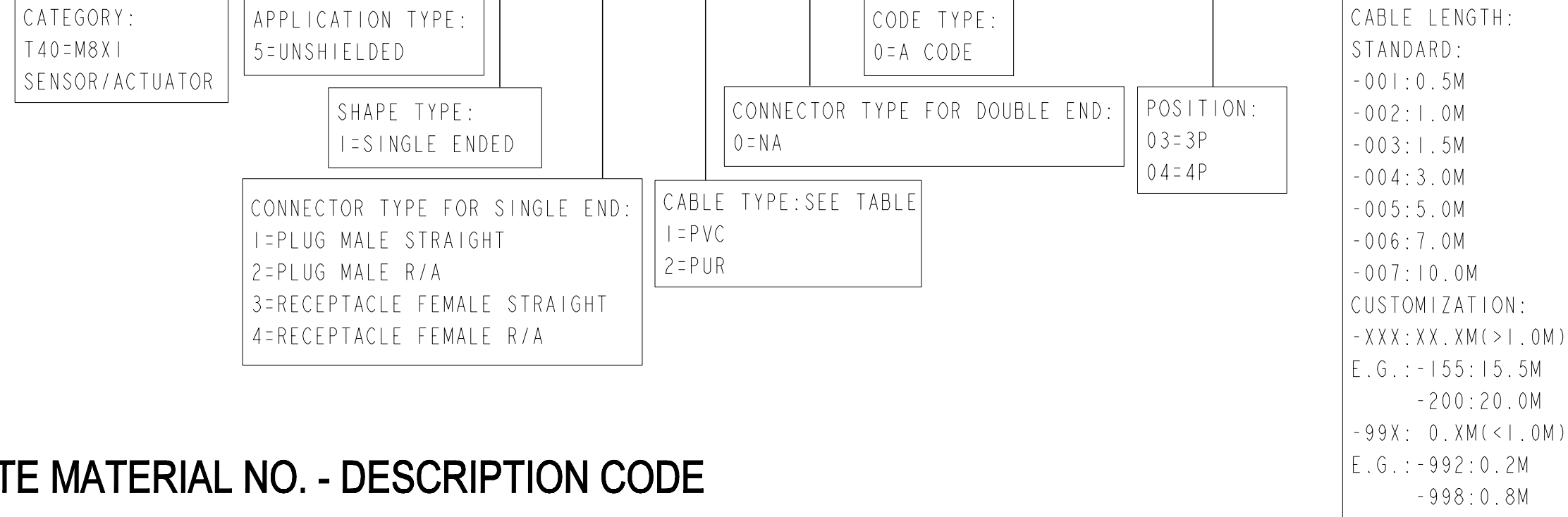
MATERIAL: - DIMENSIONS: mm TOLERANCES UNLESS OTHERWISE SPECIFIED: 0 PLC ±, 1 PLC ±, 2 PLC ±, 3 PLC ±, 4 PLC ±, ANGLES ±, FINISH -

CUSTOMER DRAWING

REVISIONS				
P	LTR	DESCRIPTION	DATE	APVD
		SEE SHEET 1		

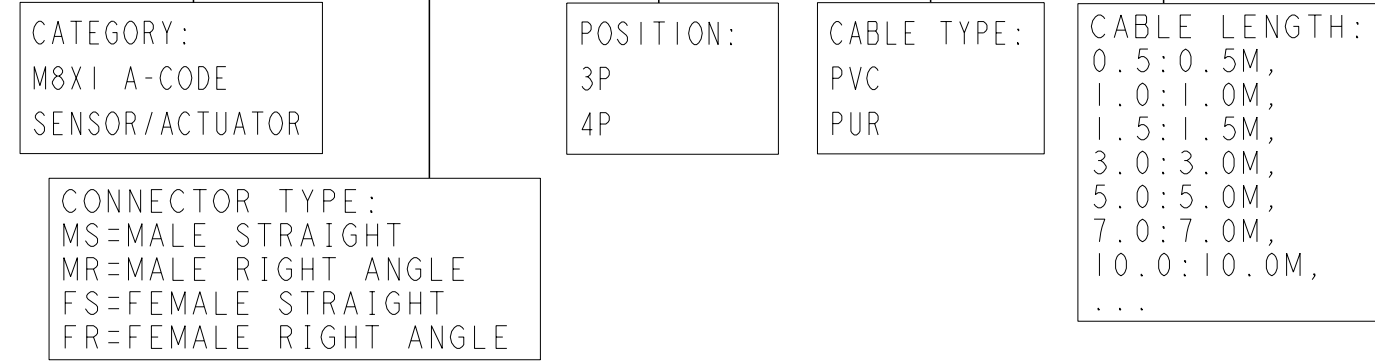
### TE MATERIAL NO. - NUMERICAL CODE

**T 4 0 5 1 X X 0 0 X X - X X X**



### TE MATERIAL NO. - DESCRIPTION CODE

**M8 - XX - XP - PXX - \*\***



### CABLE INFORMATION

CABLE TYPE	NO. OF WIRES	CROSS SECTION	CABLE JACKET	UL	FIXED: TEMP.	FLEXIBLE: TEMP.
1	3/4	0.25mm <sup>2</sup>	PVC BLACK	UL2464	-10°C~+80°C	-5°C~+80°C
2	3/4	0.25mm <sup>2</sup>	PUR GREY	UL20549	-40°C~+80°C	-25°C~+80°C

### CABLE LENGTH TOLERANCE

OVER	UP TO AND INCLUDING	TOLERANCES
0	1000mm	±30mm
1000mm	4000mm	±50mm
4000mm	5000mm	±60mm
5000mm	10000mm	±80mm
10000mm	>	±1.5% OF CABLE LENGTH

- NOTE:
- ⚠. STRIP ALL THE INSULATION
  - ⚠. CODE POSITION INDICATOR
  - ⚠. RECOMMENDED TORQUE 0.4 Nm
  - 4. CABLE ASSEMBLY TO BE PACKAGED IN POLYBAGS
  - ⚠. LABEL CONTAINS: PN, DATE CODE...

### PART LIST

M8-MS-3P-PUR-1.0	T4051120003-002	ISET311416R0000
M8-MS-3P-PUR-3.0	T4051120003-004	ISET311418R0000
M8-MS-3P-PUR-5.0	T4051120003-005	ISET311419R0000
M8-MS-4P-PUR-1.0	T4051120004-002	ISET311423R0000
M8-MS-4P-PUR-3.0	T4051120004-004	ISET311425R0000
M8-MS-4P-PUR-5.0	T4051120004-005	ISET311426R0000
M8-MS-4P-PUR-7.0	T4051120004-006	ISET311427R0000
M8-MS-4P-PUR-10.0	T4051120004-007	ISET311428R0000
M8-MR-3P-PUR-1.0	T4051220003-002	ISET311444R0000
M8-MR-3P-PUR-3.0	T4051220003-004	ISET311446R0000
M8-MR-3P-PUR-5.0	T4051220003-005	ISET311447R0000
M8-MR-4P-PUR-1.0	T4051220004-002	ISET311451R0000
M8-MR-4P-PUR-3.0	T4051220004-004	ISET311453R0000
M8-MR-4P-PUR-5.0	T4051220004-005	ISET311454R0000
M8-FS-3P-PUR-1.0	T4051320003-002	ISET311472R0000
M8-FS-3P-PUR-3.0	T4051320003-004	ISET311474R0000
M8-FS-3P-PUR-5.0	T4051320003-005	ISET311475R0000
M8-FS-4P-PUR-1.0	T4051320004-002	ISET311479R0000
M8-FS-4P-PUR-3.0	T4051320004-004	ISET311481R0000
M8-FS-4P-PUR-5.0	T4051320004-005	ISET311482R0000
M8-FS-4P-PUR-7.0	T4051320004-006	ISET311483R0000
M8-FS-4P-PUR-10.0	T4051320004-007	ISET311484R0000
M8-FR-3P-PUR-1.0	T4051420003-002	ISET311500R0000
M8-FR-3P-PUR-3.0	T4051420003-004	ISET311502R0000
M8-FR-3P-PUR-5.0	T4051420003-005	ISET311503R0000
M8-FR-4P-PUR-1.0	T4051420004-002	ISET311507R0000
M8-FR-4P-PUR-3.0	T4051420004-004	ISET311509R0000
M8-FR-4P-PUR-5.0	T4051420004-005	ISET311510R0000
PRODUCT TYPE		ENTRELEC PN

THIS DRAWING IS A CONTROLLED DOCUMENT.		DWN BLAZE PENG LOAPR2021		
DIMENSIONS: mm		CHK KEVIN HUANG LOAPR2021		
TOLERANCES UNLESS OTHERWISE SPECIFIED:		APVD CHRIS WANG LOAPR2021	NAME M8 CABLE ASSEMBLY SINGLE END UNSHIELDED	
		PRODUCT SPEC 108-106140	SIZE A200779	
MATERIAL		APPLICATION SPEC 114-137144-1	DRAWING NO ISET310C01R0000	
		WEIGHT	RESTRICTED TO	
		CUSTOMER DRAWING	SCALE 1:1 SHEET 3 OF 3 REV A	