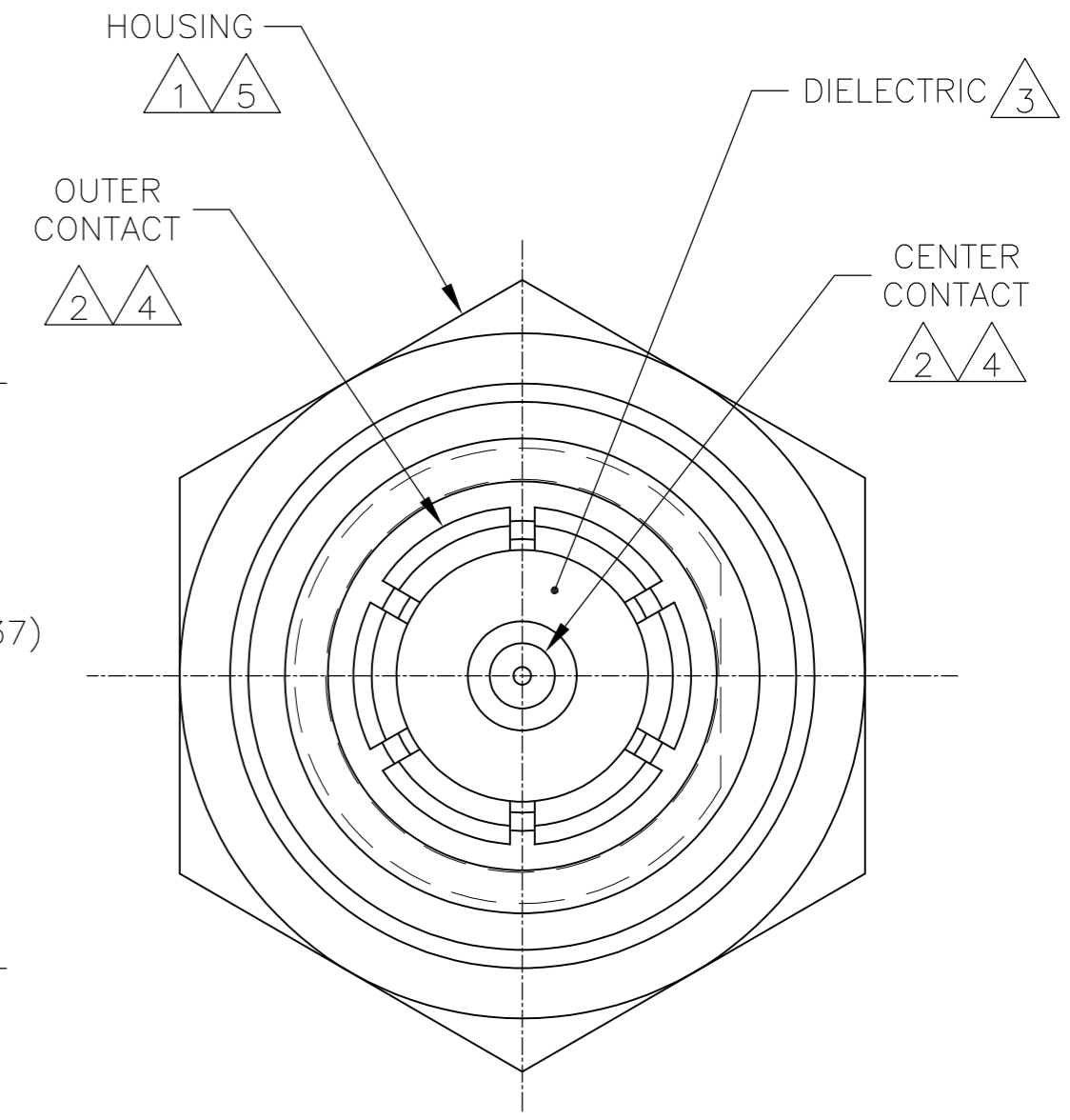
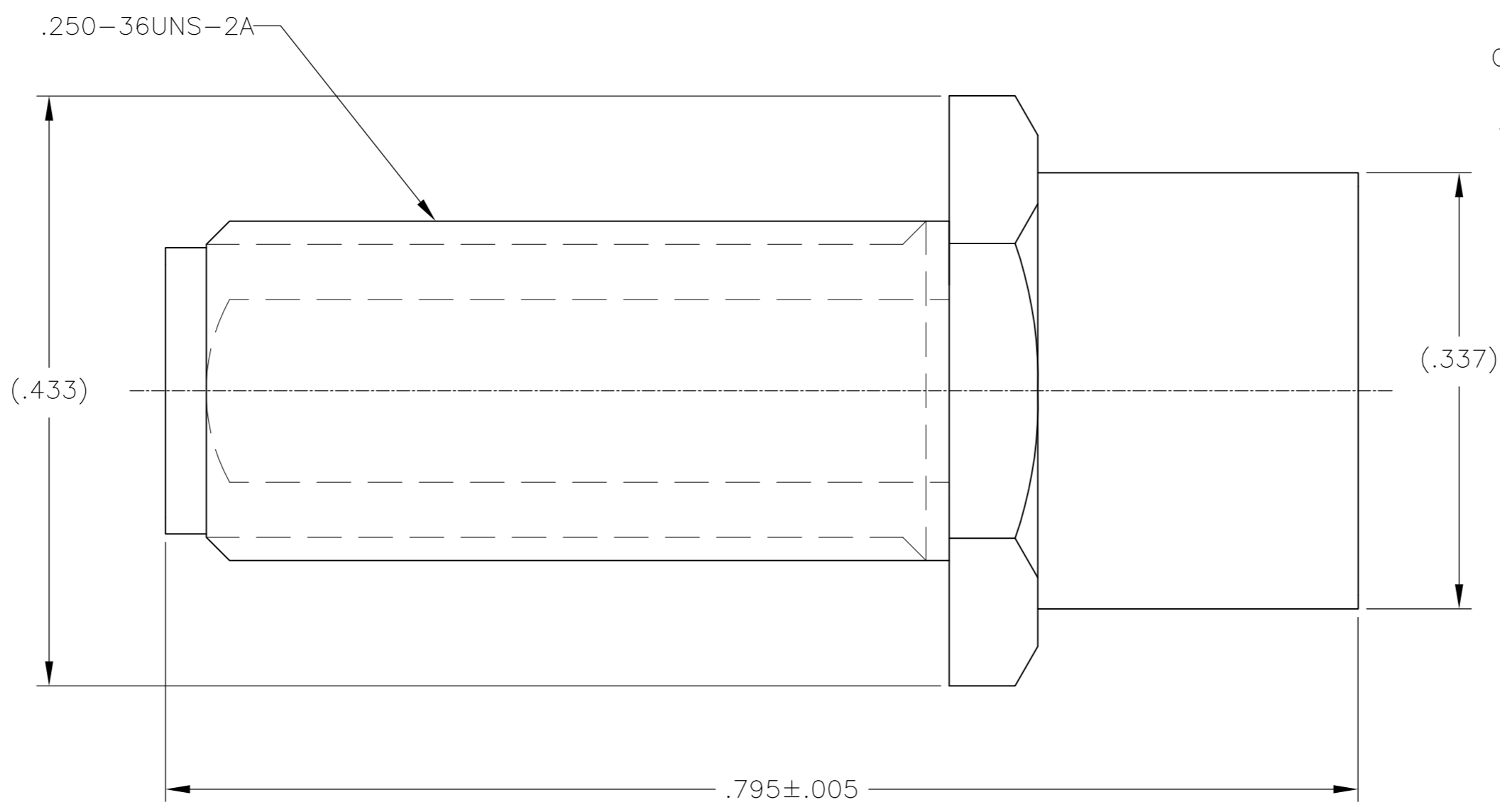
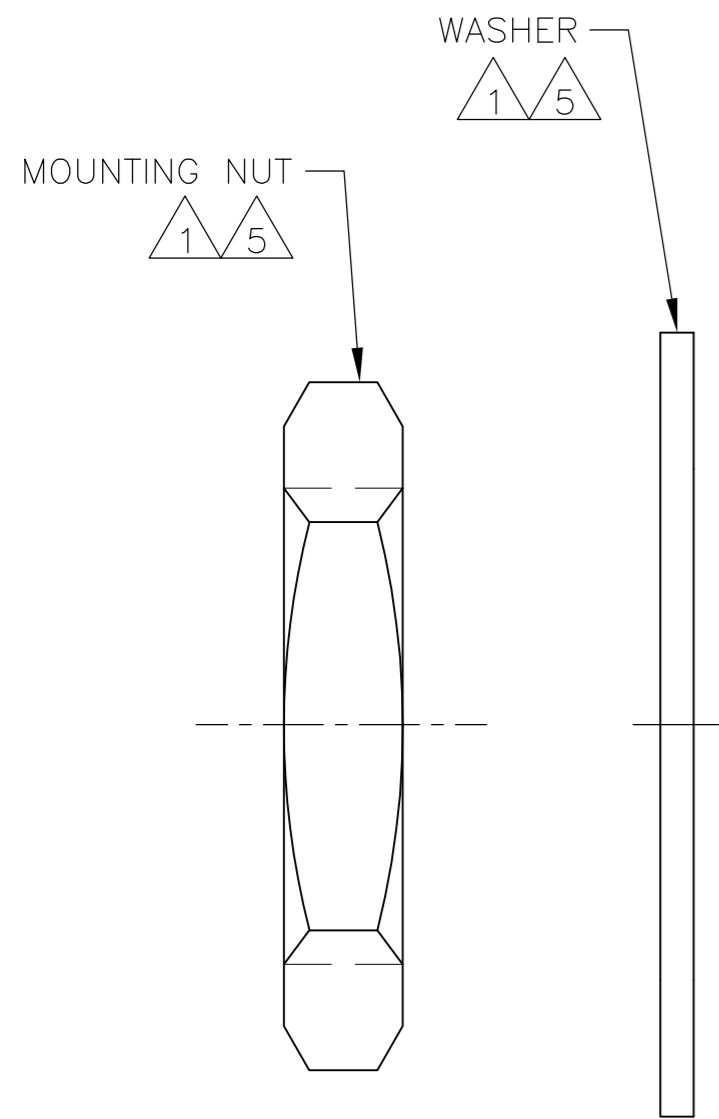
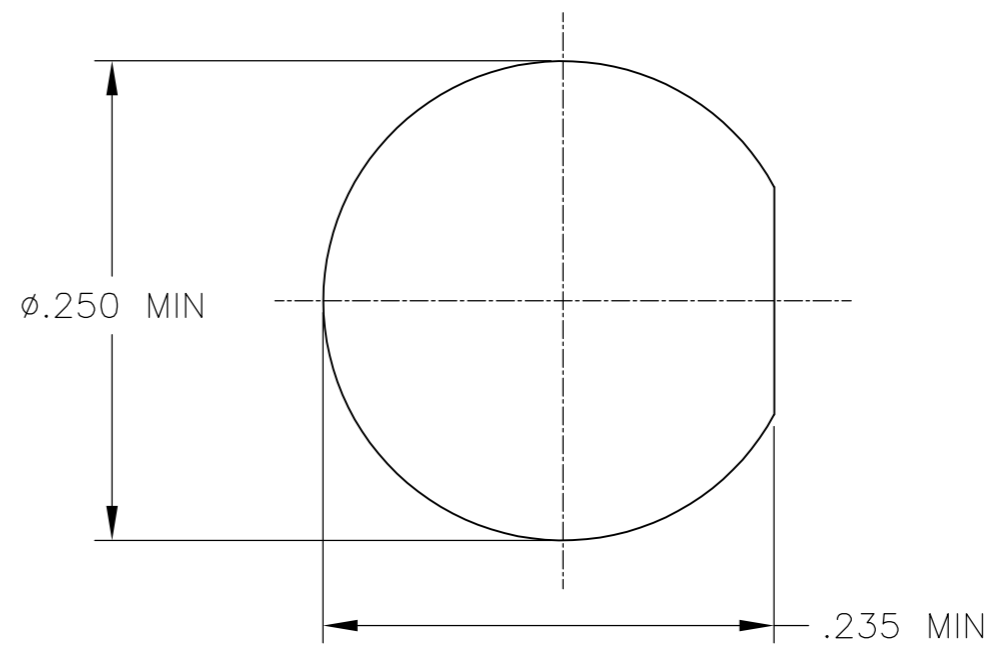


THIS DRAWING IS UNPUBLISHED. RELEASED FOR PUBLICATION  
 © COPYRIGHT - By - ALL RIGHTS RESERVED.

LOC	DIST	REVISIONS			
P	LTR	DESCRIPTION	DATE	DWN	APVD
AJ	00				
B		REVISED PER ECO-11-024867	14DEC11	KH	FB



- 1 STAINLESS STEEL.
- 2 BERYLLIUM COPPER.
- 3 PTFE.
- 4 GOLD PLATE.
- 5 PASSIVATE.
- 6. THIS PRODUCT HAS NOT YET COMPLETED VALIDATION TESTING.



RECOMMENDED PANEL CUTOUT

2016232-1  
 PART NUMBER

THIS DRAWING IS A CONTROLLED DOCUMENT.		DWN K. FOLTZ 08JUN2010	TE Connectivity																			
DIMENSIONS: INCHES		CHK F. BLASICK 09JUN2010																				
TOLERANCES UNLESS OTHERWISE SPECIFIED:		APVD F. BLASICK 09JUN2010	NAME ADAPTER, PLUG PUSH ON TO JACK, SMA																			
<table border="1"> <tr><td>0 PLC</td><td>±</td><td>-</td></tr> <tr><td>1 PLC</td><td>±</td><td>-</td></tr> <tr><td>2 PLC</td><td>±</td><td>-</td></tr> <tr><td>3 PLC</td><td>±</td><td>.003</td></tr> <tr><td>4 PLC</td><td>±</td><td>-</td></tr> <tr><td>ANGLES</td><td>±</td><td>-</td></tr> </table>		0 PLC	±	-	1 PLC	±	-	2 PLC	±	-	3 PLC	±	.003	4 PLC	±	-	ANGLES	±	-	PRODUCT SPEC -	SIZE A2	CAGE CODE 00779
0 PLC	±	-																				
1 PLC	±	-																				
2 PLC	±	-																				
3 PLC	±	.003																				
4 PLC	±	-																				
ANGLES	±	-																				
MATERIAL -		FINISH -	DRAWING NO C-2016232	RESTRICTED TO -																		
		WEIGHT -	SCALE 10:1	SHEET 1 of 1																		
		CUSTOMER DRAWING	REV B																			