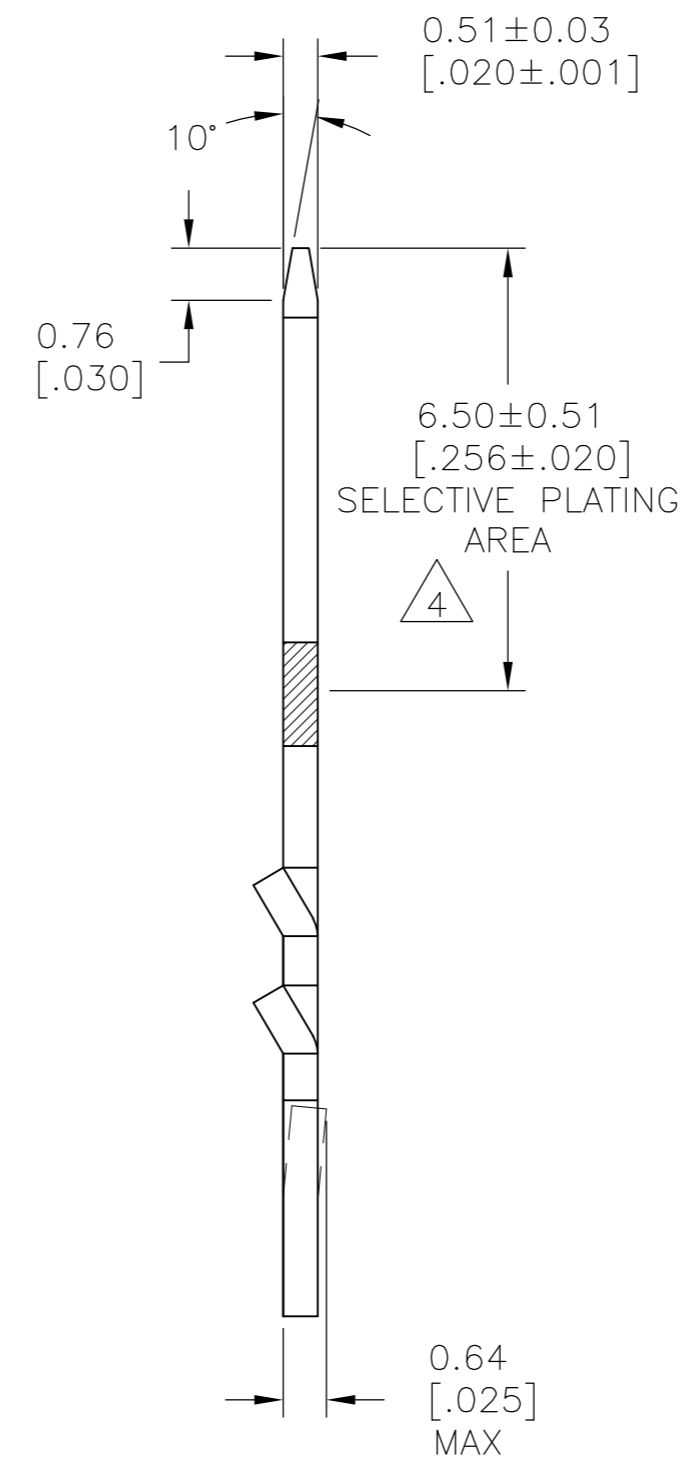
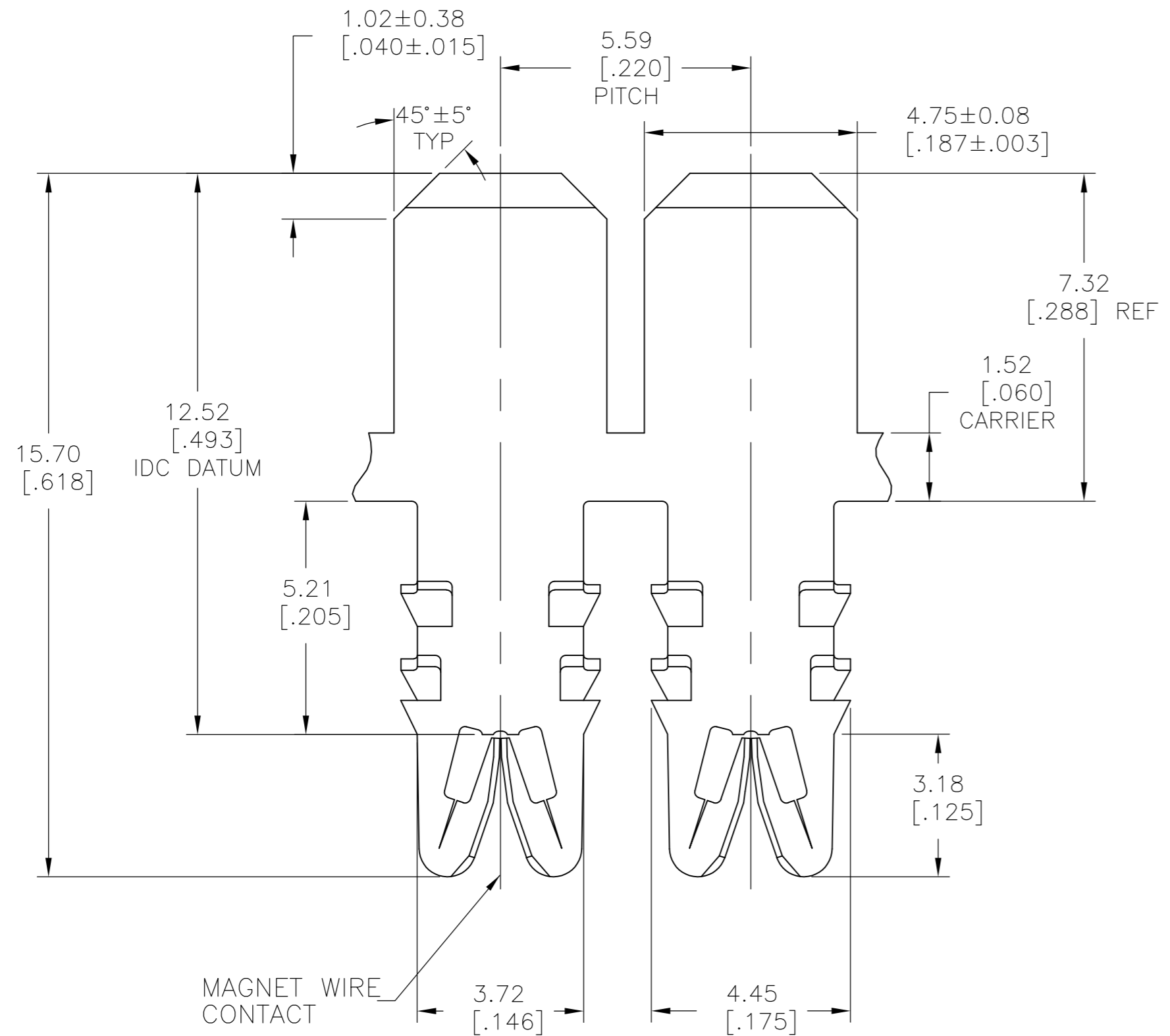
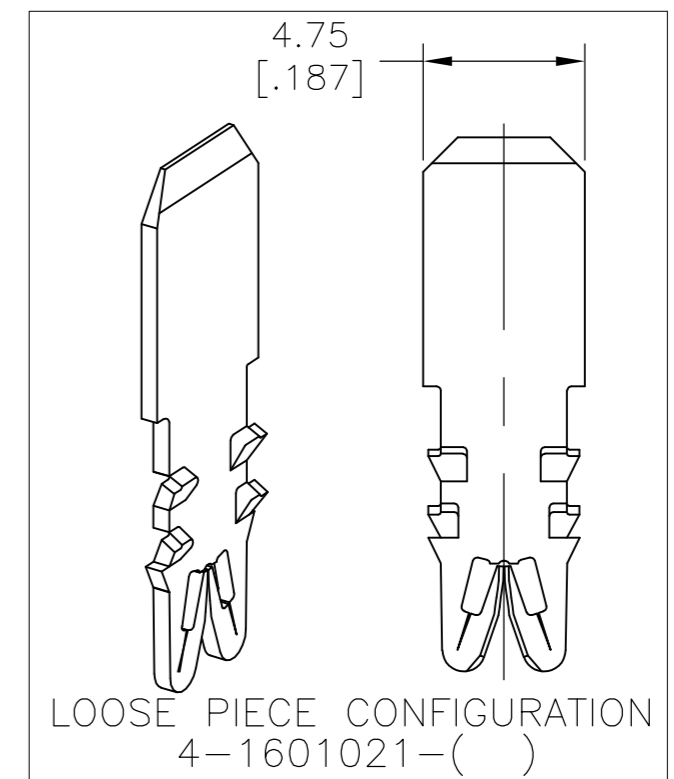


THIS DRAWING IS UNPUBLISHED. RELEASED FOR PUBLICATION
 © COPYRIGHT - By - ALL RIGHTS RESERVED.

LOC	DIST	REVISIONS			
P	LTR	DESCRIPTION	DATE	DWN	APVD
AF	50	G6	REVISED PER ECR-15-006440	24APR2015	GRZ JL



- 1 SPECIFICATIONS:
MAGNET WIRE #18- #34 AWG.
1.02 [.040]- 0.16 [.006] DIA COPPER,
- 2 POCKET RECOMMENDATION:
#1601425
- 3 SELECTIVE PLATE AREA:
0.00076 [.000030] MIN GOLD PLATE OVER
0.00127 [.000050] MIN NICKEL UNDERPLATE
OVER ENTIRE TERMINAL.
- 4 SELECTIVE PLATE AREA 1.9 MICRONS [.000075] MIN SILVER. ENTIRE
TERMINAL IS UNDERPLATED WITH NICKEL.
- 5 TERMINAL APPLICATION TO COMPLY WITH TYCO
ELECTRONICS SPECIFICATION 114-13166
FIGURE 6.
- 6 NON-STANDARD PACKAGING. ALL PLASTIC REEL AND
PLASTIC INTERLEAVING. PLACED IN A PLASTIC BAG.
- 7 PRELIMINARY - NOT FOR PRODUCTION.



STANDARD	4	-	1601021-5
6	PRE-TIN PLATE OVER COPPER UNDERPLATE	-	7 3-1601021-4
STANDARD	3	-	7 2-1601021-3
STANDARD	3	-	7 1601021-3
STANDARD	UNPLATED	-	7 1601021-1
STANDARD	PRE-TIN PLATE OVER COPPER UNDERPLATE	-	3-1601021-2
STANDARD	PRE-TIN PLATE OVER COPPER UNDERPLATE	131-046-014	2-1601021-2
STANDARD	PRE-TIN PLATE OVER COPPER UNDERPLATE	131-047-014	1601021-2
PACKAGING	FINISH	REFERENCE PART NUMBER	TE PART NUMBER

THIS DRAWING IS A CONTROLLED DOCUMENT.

DIMENSIONS: mm [INCHES]	TOLERANCES UNLESS OTHERWISE SPECIFIED: 0 PLC ± - 1 PLC ± 0.25[.010] 2 PLC ± 0.13[.005] 3 PLC ± - 4 PLC ± - ANGLES ± 2°	FINISH SEE TABLE	MATERIAL BRASS, FULL HARD	WEIGHT -	CUSTOMER DRAWING
----------------------------	--	---------------------	------------------------------	-------------	------------------

DWN J.WELLER 11JAN2002	CHK M.FEHER 11JAN2002	APVD K.RANDOLPH 11JAN2002	NAME 108-2085 APPLICATION SPEC
------------------------------	-----------------------------	---------------------------------	--------------------------------------

TE Connectivity

STD RANGE WIRE TO .187 X .020 MULTI-BARB TAB SIAMEZE TERMINAL

SIZE A2	CAGE CODE 00779	DRAWING NO C=1601021	RESTRICTED TO -
------------	--------------------	-------------------------	--------------------

SCALE 9:1 SHEET 1 OF 1 REV G6