

RC-07S1NH25013 - Device connector, rear mounting



1594800

<https://www.phoenixcontact.com/us/products/1594800>

Please be informed that the data shown in this PDF document is generated from our online catalog. Please find the complete data in the user documentation. Our general terms of use for downloads are valid.



Device connector, rear mounting, M23, degree of protection: IP67, connection method: Solder connection, Alternative product in accordance with RoHS II without Exemption 6c (Pb <0.1%)
item no.: 1240547

Commercial data

Item number	1594800
Packing unit	1 pc
Sales key	AB31
Product key	ABRAFL
GTIN	4046356203524
Weight per piece (including packing)	36.38 g
Weight per piece (excluding packing)	34.01 g
Customs tariff number	85366990
Country of origin	DE

RC-07S1NH25013 - Device connector, rear mounting



1594800

<https://www.phoenixcontact.com/us/products/1594800>

Technical data

Mounting

Connection method	Solder connection
-------------------	-------------------

Product properties

Product type	Circular connectors (device side)
Thread type	M23

Material specifications

Flammability rating according to UL 94	V0
--	----

Connection data

Conductor connection

Connection method	Solder connection
-------------------	-------------------

Connector

Housing

Housing material	Metal
Type of locking	Screw locking
Pg screw connection	none
Degree of protection (plugged in)	IP67
Thread type	M23

Environmental and real-life conditions

Ambient conditions

Degree of protection	IP67
----------------------	------

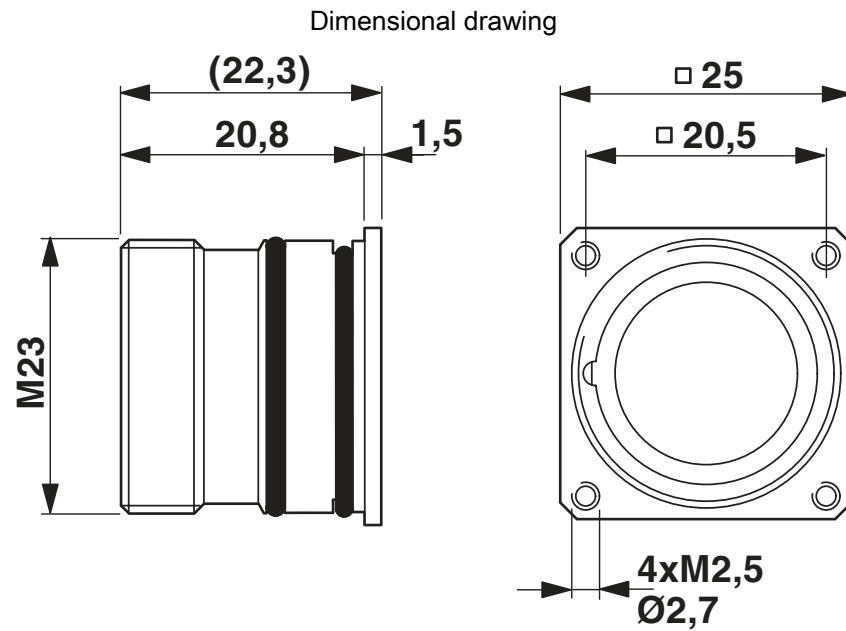
RC-07S1NH25013 - Device connector, rear mounting



1594800

<https://www.phoenixcontact.com/us/products/1594800>

Drawings



RC-07S1NH25013 - Device connector, rear mounting



1594800

<https://www.phoenixcontact.com/us/products/1594800>

Classifications

ECLASS

ECLASS-11.0	27440109
ECLASS-12.0	27440109
ECLASS-13.0	27440109

ETIM

ETIM 8.0	EC003569
----------	----------

UNSPSC

UNSPSC 21.0	39121400
-------------	----------

RC-07S1NH25013 - Device connector, rear mounting



1594800

<https://www.phoenixcontact.com/us/products/1594800>

Environmental product compliance

REACH SVHC	Lead 7439-92-1
China RoHS	Environmentally Friendly Use Period = 50 years
	For information on hazardous substances, refer to the manufacturer's declaration available under "Downloads"

Phoenix Contact 2023 © - all rights reserved

<https://www.phoenixcontact.com>

Phoenix Contact USA
586 Fulling Mill Road
Middletown, PA 17057, United States
(+717) 944-1300
info@phoenixcon.com