

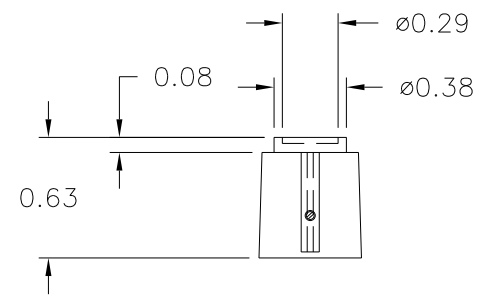
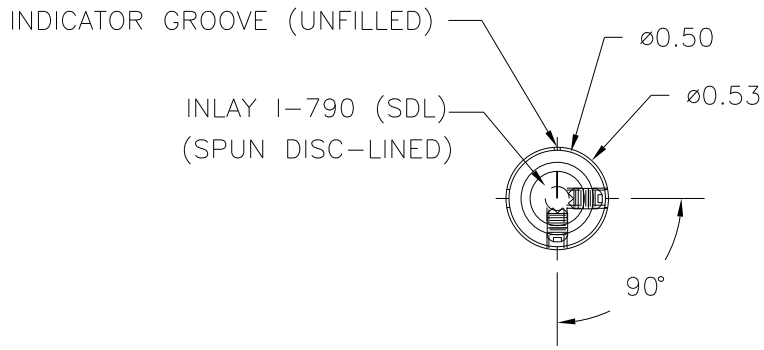
PART NAME: KNOB SCALE: 1:1 DATE: 4/6/94 DR. BY HD

DAVIES MOLDING COMPANY
CAROL STREAM, ILLINOIS 60188

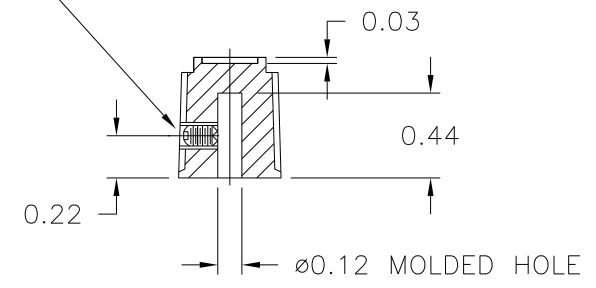
P/N 1200BM	
BASE PART	1200-02
SET SCREW	I-0095
INLAY	I-790(SDL)

THIS DRAWING IS THE PROPERTY OF DAVIES MOLDING COMPANY, IS SUBMITTED SOLELY AS A DESIGN OR ENGINEERING PROJECT. WE ACCEPT NO RESPONSIBILITY WHATSOEVER FOR THE PRACTICAL APPLICATION OF THE PIECES MADE TO THIS DESIGN.

CLANCEY COMPANY



USE # 36 DR. (.106 DIA.); # 6-32 TAP.
6-32 THD'D. X 3/16 LG., SLOTTED TYPE, CUP POINTED, SET SCREW I-95, TWO (2) REQUIRED AS SHOWN.



MATERIAL: G.P. PHENOLIC (B11)
COLOR: BLACK

TOLERANCES: UNLESS OTHERWISE SPECIFIED	DO NOT SCALE DRAWING			
DECIMALS: X.XXX ± .005 X.XX ± .015	MM: X.XX ± 0.15MM X.X ± 0.4MM	-	HAD TOOLBOX	JAM 3/27/00
FRACTIONS ± 1/64	ANG. ± 1°	CHANGES		