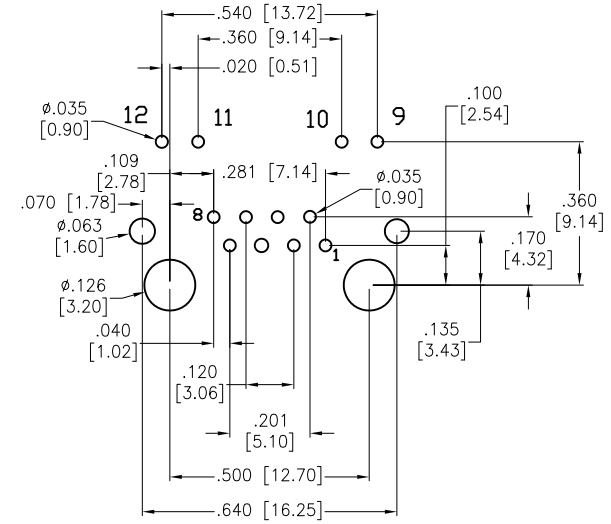
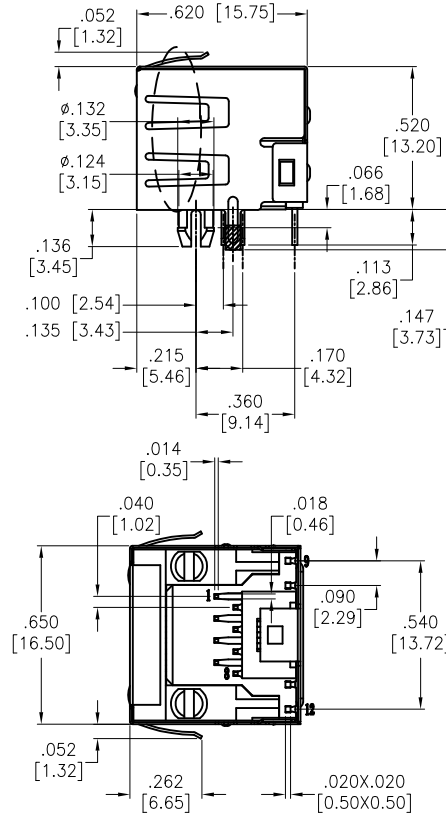
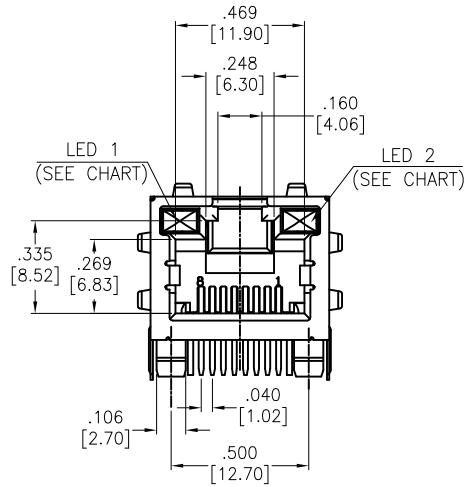


APPROVED: \_\_\_\_\_  
 DATE: \_\_\_\_\_ TITLE: \_\_\_\_\_

Rev	AWO #	Description	Date	Appr
-		RELEASED	6/24/14	HR/CH
A		UPDATED SPEC.	9/4/19	OW/NL



RECOMMENDED PCB LAYOUT

Part Number	LED 1 Color	LED 2 Color
MTJ-88ARX1-FSM-PG-LD	Green	Green
MTJ-88ARX1-FSM-PG-LG	Yellow	Green
MTJ-88ARX1-FSM-PG-LH	Green	Yellow
MTJ-88ARX1-FSM-PG-LP	Yellow/Green	Yellow/Green
MTJ-88ARX1-FSM-PG-LV	Green	Yellow/Green
MTJ-88ARX1-FSM-PG-L16	Green/Yellow	Green/Yellow

**SPECIFICATIONS:**

Material:  
 Insulator: PBT, glass reinforced, rated UL 94V-0  
 Insulator color: Black  
 Contacts: Phosphor Bronze  
 Shield: Brass, Nickel plated  
 Contacts Plating:  
 Round contact  
 Gold over Nickel underplate overall  
 Flat contact  
 Gold over Nickel underplate on contact area,  
 Tin over Nickel underplate on solder tails  
**Electrical:**  
 Voltage rating: 150 VAC rms  
 Current rating: 1.5 Amp  
 Contact resistance: 20 mohms max.  
 Insulation resistance: 1000 Mohms min @ 500 VDC  
 Dielectric withstanding voltage:  
 Contact to Contact: 1,000 VDC or AC Peak for 1 minute  
 Contact to Screen and Test panel: 1,500 VDC or AC Peak for 1 minute  
**Temperature Rating:**  
 Operating temperature: -40°C to +85°C  
 Environmental:  
 Lead free, RoHS compliant.



UNLESS OTHERWISE SPECIFIED  
 ALL DIMENSIONS ARE INCHES [MM]  
 TOLERANCES: EXCEPT AS NOTED  
 INCHES HOLES  
 .X ± .10 ØX ± .10  
 .XX ± .020 ØXX ± .015  
 .XXX ± .015 ØXXX ± .010

**ADAM TECH**  
 INTERCONNECTS  
 909 Rahway Avenue,  
 Union, NJ 07083  
 Phone: 908-687-5000  
 Fax: 908-687-5710

APPROVALS		DATE
DRAWN	HR	6/24/14
CHECKED	SC	6/24/14
APPROVED		

TITLE		
MODULAR TELEPHONE JACK, SHIELDED WITH PANEL GROUNDS, LED'S		
SIZE	PART NO.	REV.
X	MTJ-88ARX1-FSM-PG-LX	A
REF:	S00005C	SCALE: NTS
		SHEET 1 OF 2

6

5

4

3

2

1

APPROVED: \_\_\_\_\_

DATE: \_\_\_\_\_ TITLE: \_\_\_\_\_

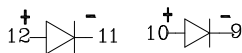
Rev	AWO #	Description	Date	Appr
-----	-------	-------------	------	------

SEE SHT 1 OF 2 FOR REVISION

### LED SCHEMATIC

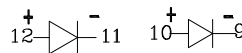
MTJ-88ARX1-FSM-PG-LD

GREEN GREEN



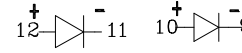
MTJ-88ARX1-FSM-PG-LG

YELLOW GREEN



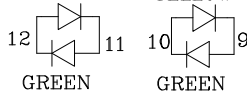
MTJ-88ARX1-FSM-PG-LH

GREEN YELLOW



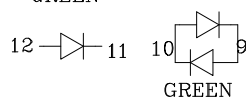
MTJ-88ARX1-FSM-PG-LP

YELLOW YELLOW



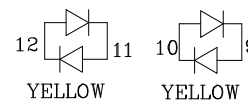
MTJ-88ARX1-FSM-PG-LV

GREEN YELLOW



MTJ-88ARX1-FSM-PG-L16

GREEN GREEN



UNLESS OTHERWISE SPECIFIED  
 ALL DIMENSIONS ARE INCHES [MM]  
 TOLERANCES: EXCEPT AS NOTED  
 INCHES HOLES

.X	± .10	∅X	±.10
.XX	± .020	∅XX	±.015
.XXX	± .015	∅XXX	±.010

**ADAM**  
**TECH**  
 INTERCONNECTS

909 Rahway Avenue,  
 Union, NJ 07083  
 Phone: 908-687-5000  
 Fax: 908-687-5710

APPROVALS		DATE
DRAWN	HR	6/24/14
CHECKED	SC	6/24/14
APPROVED		

TITLE		
MODULAR TELEPHONE JACK, SHIELDED WITH PANEL GROUNDS, LED'S		
SIZE	PART NO.	REV.
X	MTJ-88ARX1-FSM-PG-LX	A
REF: S00005C	SCALE: NTS	SHEET 2 OF 2

6

5

4

3

2

1