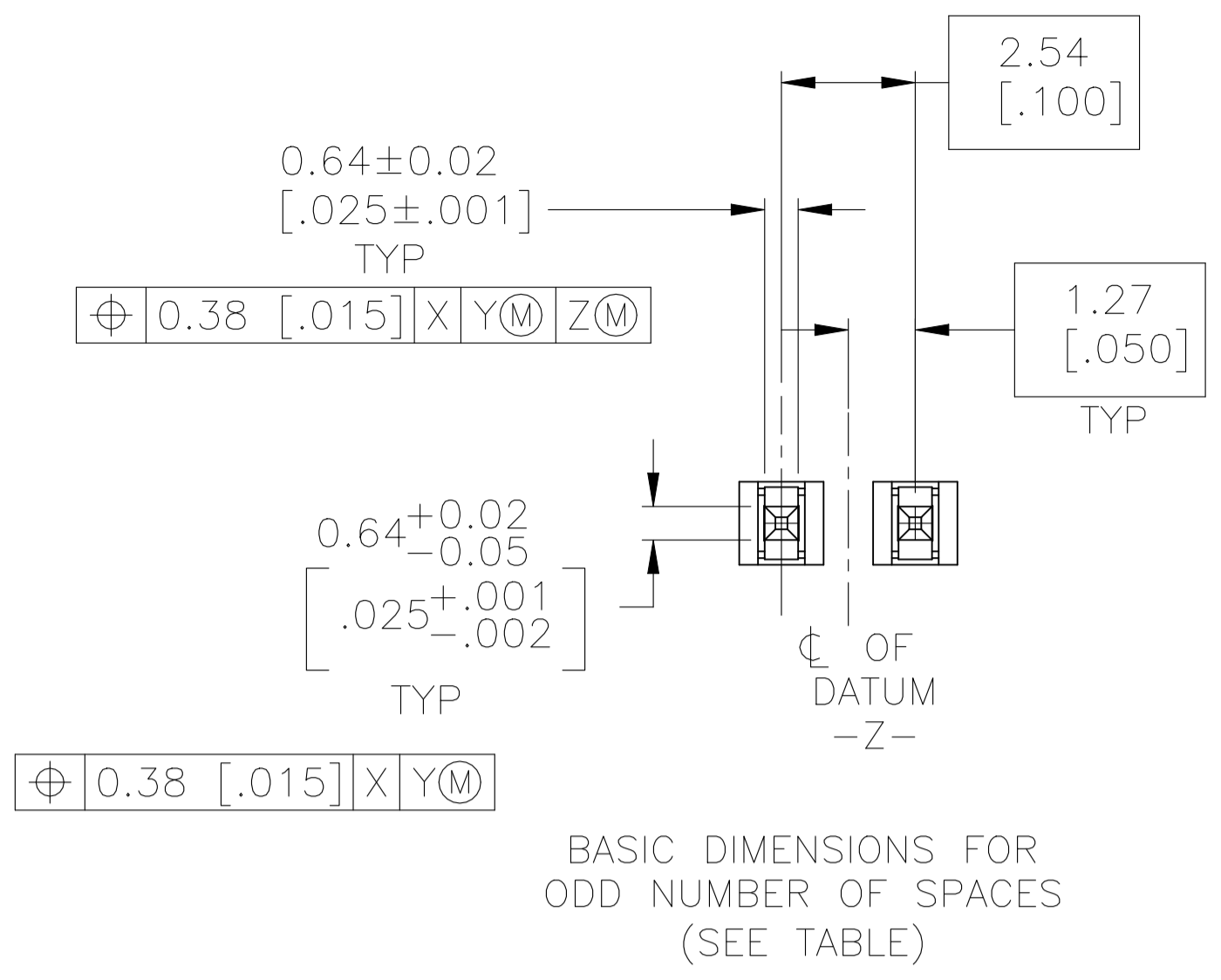
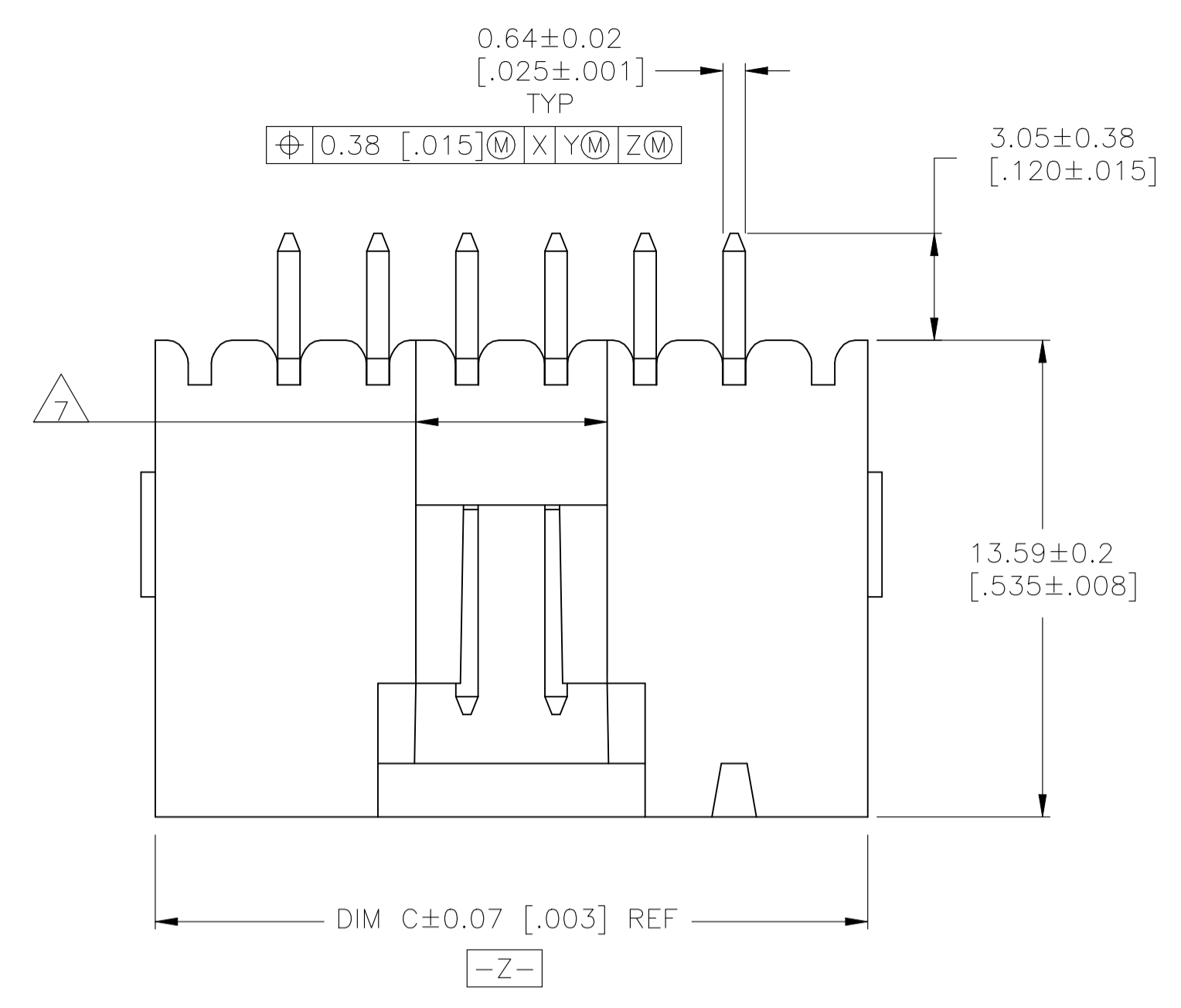
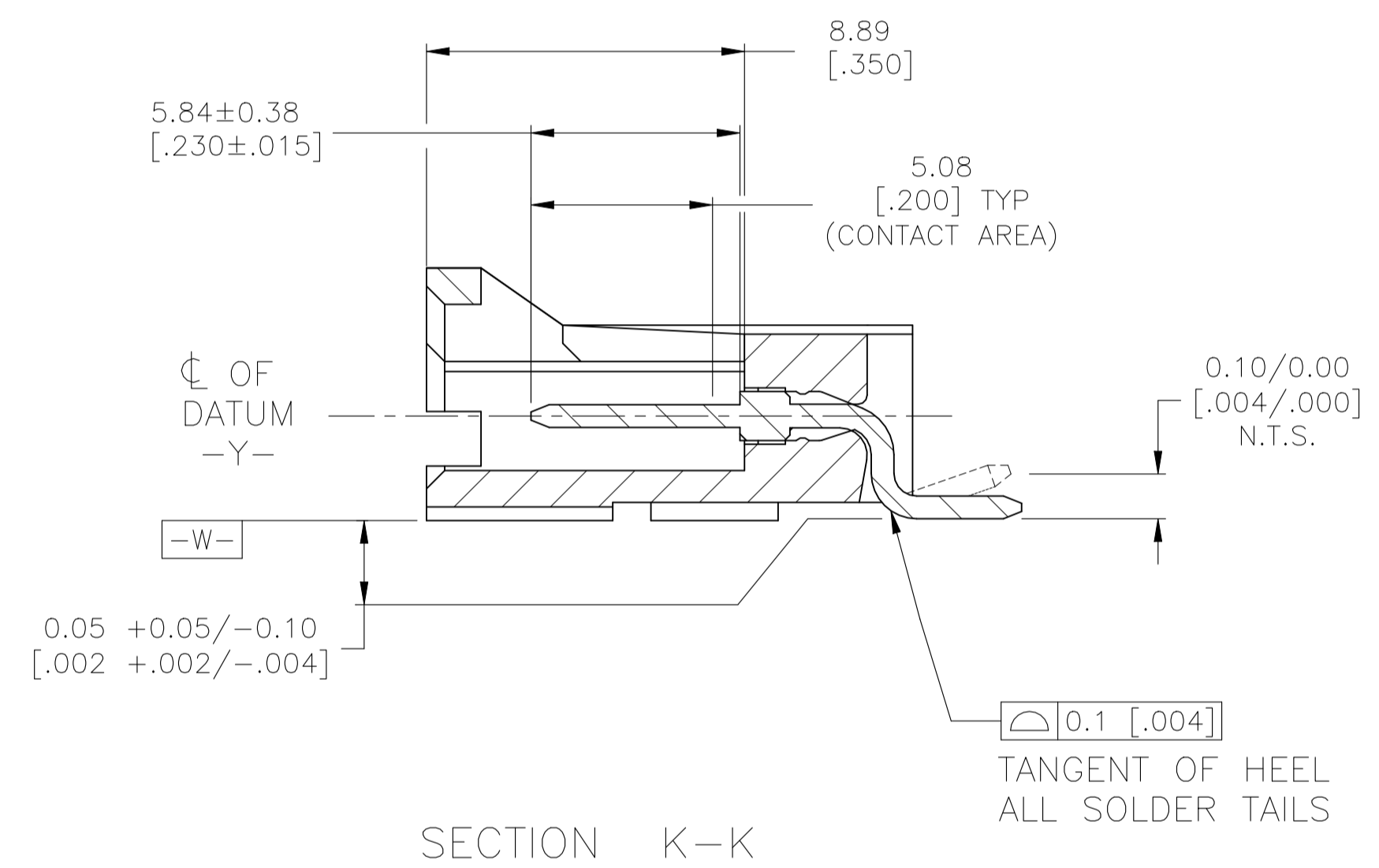
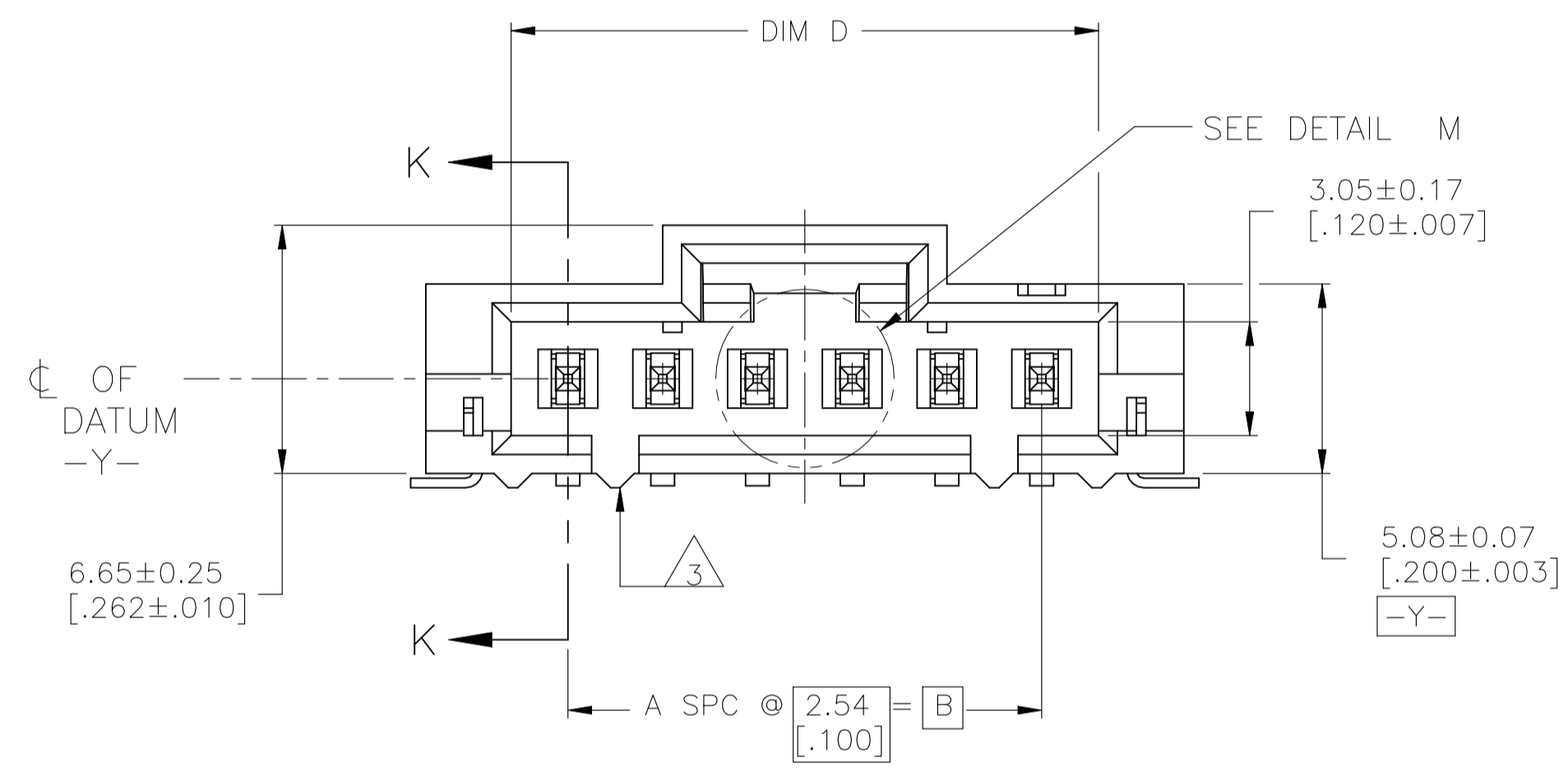


REVISIONS					
REV	DESCRIPTION	DATE	BY	APP'D	
C	REVISED PER ECO-20-001912	04JUN2020	SB	JO	

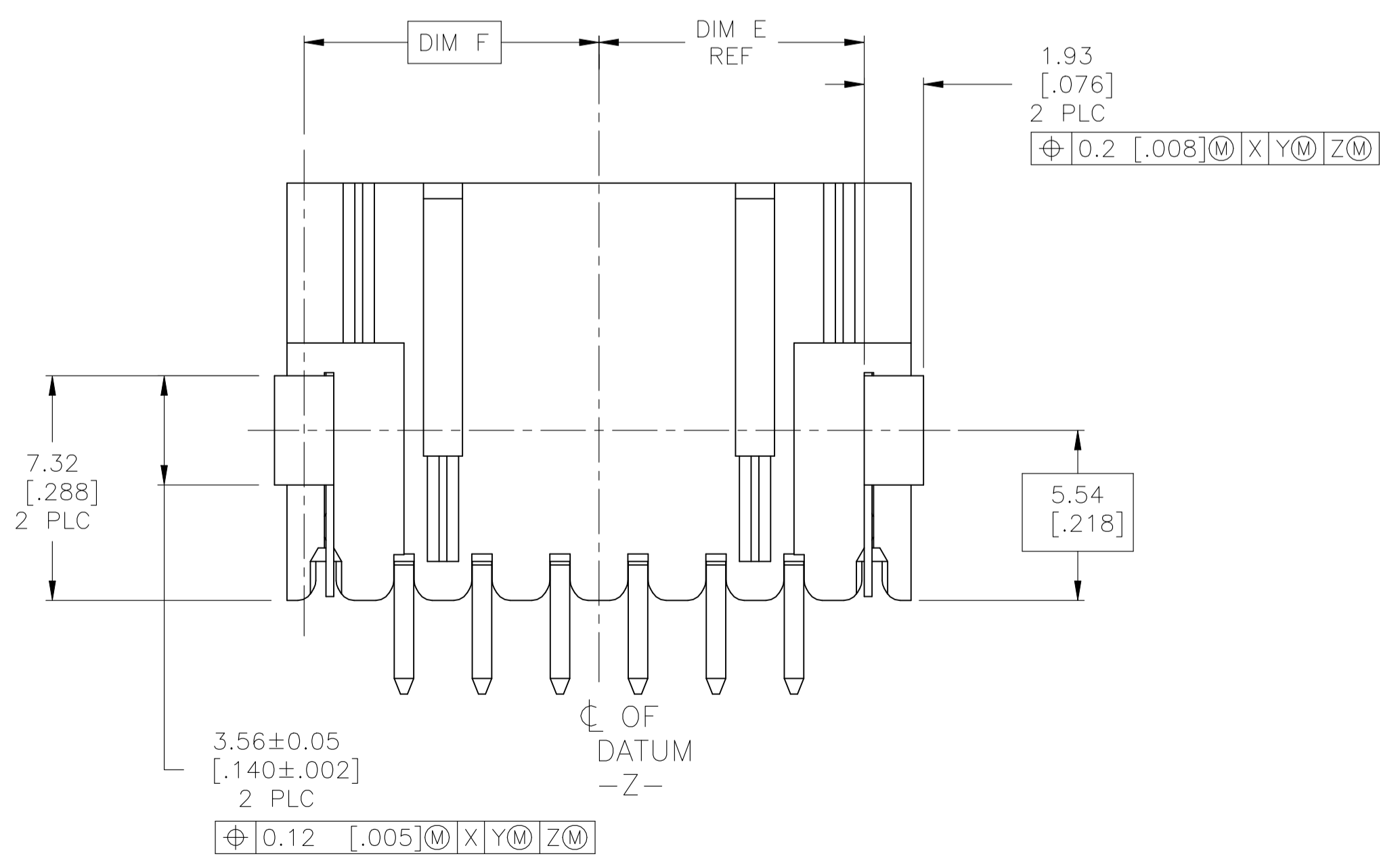


DETAIL M  
SCALE 8:1

- 1 HOUSING: HIGH TEMPERATURE THERMOPLASTIC, COLOR-BLACK. POST: BRASS.
- 2 DATUMS AND BASIC DIMENSIONS ESTABLISHED BY THE CUSTOMER.
- 3 TWO POLARIZATION SLOTS ON ASSEMBLIES WITH FOUR OR MORE POSITIONS.
- 4 0.00254-0.00508 [.000100-.000200] MATTE TIN OVER  
0.00127-0.00254 [.000050-.000100] NICKEL.
- 5 PARTS ARE PACKAGED IN TAPE AND REEL PER EIA-481 SPECIFICATIONS. SEE TABLE FOR TAPE WIDTHS.
- 6 PRELIMINARY PART- NOT RELEASED FOR PRODUCTION
- 7 0.25 [.010] RECESS PERMISSIBLE IN THIS AREA FOR MOLD SHUT OFF



SECTION K-K



32	8.33 [.328]	7.37 [.290]	13.21 [.520]	17.78 [.700]	10.16 [.400]	4	5	1977162-5
72	23.58 [.928]	22.62 [.890]	43.72 [1.720]	48.30 [1.900]	40.67 [1.600]	16	17	1977162-4
72	21.04 [.828]	20.08 [.790]	38.64 [1.520]	43.21 [1.700]	13.59 [1.400]	14	15	1977162-3
56	18.51 [.728]	17.53 [.690]	33.55 [1.320]	38.13 [1.500]	30.50 [1.200]	12	13	1977162-2
44	9.60 [.378]	8.64 [.340]	15.76 [.620]	16.26 [.800]	12.70 [.500]	5	6	1977162-1
EIA 481 TAPE WIDTH mm	F	E	D	C	B	A	NO OF POSN	PART NUMBER

THIS DRAWING IS A CONTROLLED DOCUMENT.

DIMENSIONS:	TOLERANCES UNLESS OTHERWISE SPECIFIED:	REVISED	DATE	BY	APP'D
mm [INCHES]	0 PLC ± -	R BROWN	12JUL2007		
	1 PLC ± -	R BROWN	12JUL2007		
	2 PLC ± -	R BROWN	12JUL2007		
	3 PLC ± 0.13 [.005]	R BROWN	12JUL2007		
	4 PLC ± -	R BROWN	12JUL2007		
	ANGLES ± -	R BROWN	12JUL2007		

MATERIAL: 1 FINISH: 4

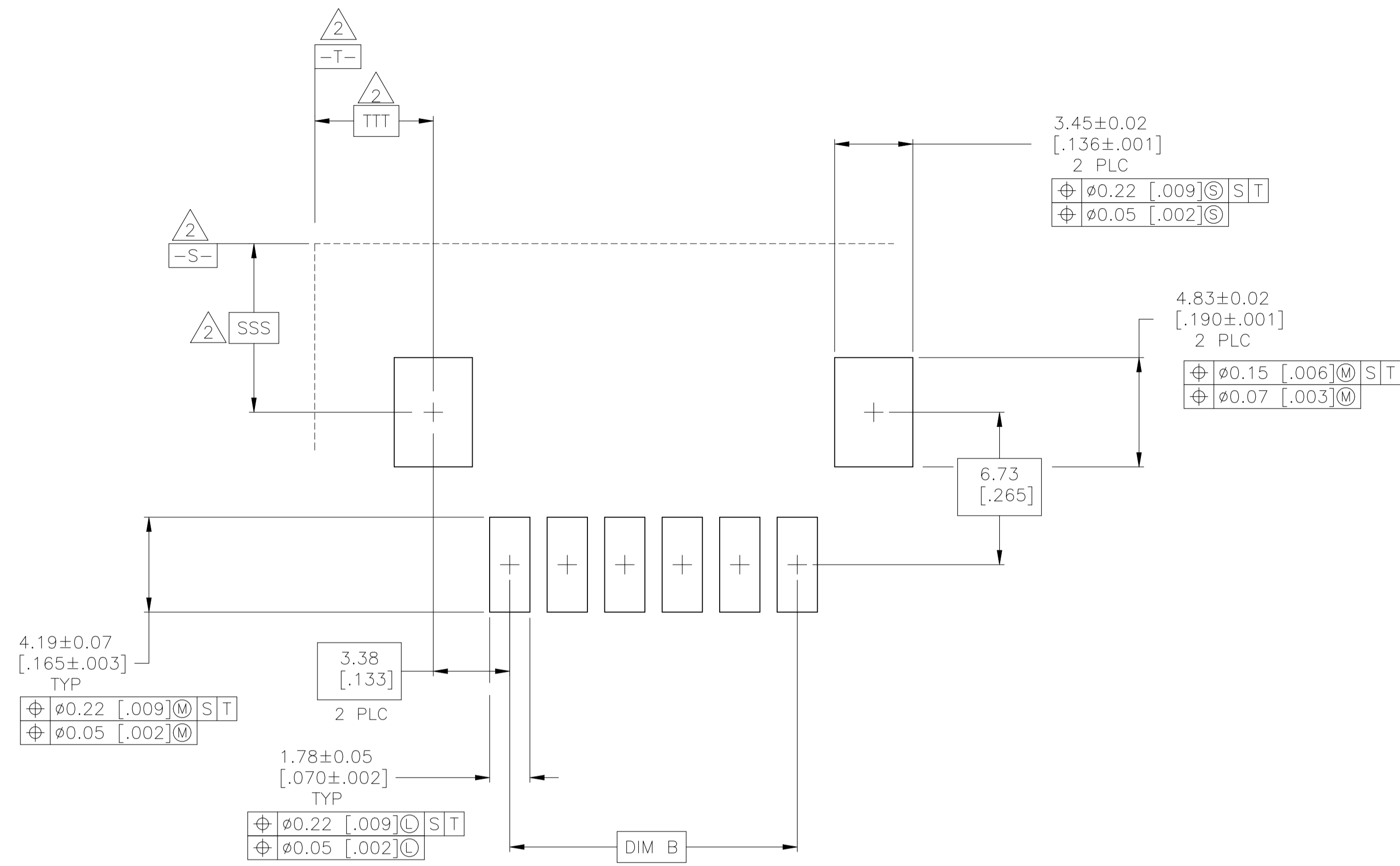
NAME: HEADER ASSEMBLY, LATCHING, RIGHT ANGLE SURFACE MOUNT, MTE, AMPMODU

SIZE: A1 CAGE CODE: 00779 DRAWING NO: 1977162


WEIGHT: -

CUSTOMER DRAWING SCALE: 6:1 SHEET: 1 OF 2 REV: C

REVISIONS				
REV	DATE	DESCRIPTION	BY	APP'D
-	-	SEE SHEET 1	-	-



RECOMMENDED PC BOARD LAYOUT

THIS DRAWING IS A CONTROLLED DOCUMENT.		DIN R BROWN 12JUL2007	 TE Connectivity Ltd.
		CHK R BROWN 12JUL2007	
DIMENSIONS: mm [INCHES]		APP'D R BROWN 12JUL2007	NAME
TOLERANCES UNLESS OTHERWISE SPECIFIED:		PRODUCT SPEC	HEADER ASSEMBLY, LATCHING, RIGHT ANGLE SURFACE MOUNT, MTE, AMPMODU
0 PLC ± -		APPLICATION SPEC	108-25034
1 PLC ± -		WEIGHT	-
2 PLC ± -		SIZE	A1
3 PLC ± 0.13 [.005]		CAGE CODE	00779
4 PLC ± -		DRAWING NO	1977162
ANGLES ± -		RESTRICTED TO	-
MATERIAL	FINISH	CUSTOMER DRAWING	SCALE 6:1 SHEET 2 OF 2 REV C