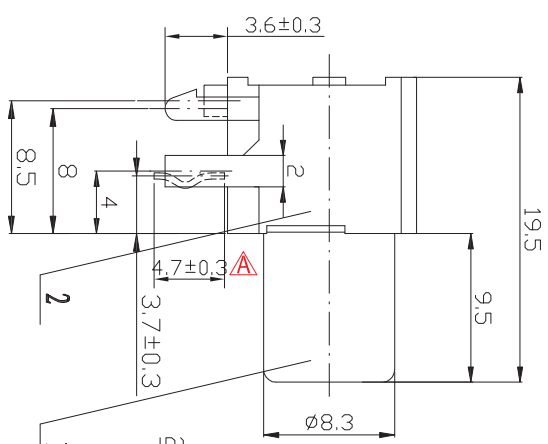
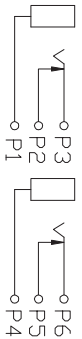
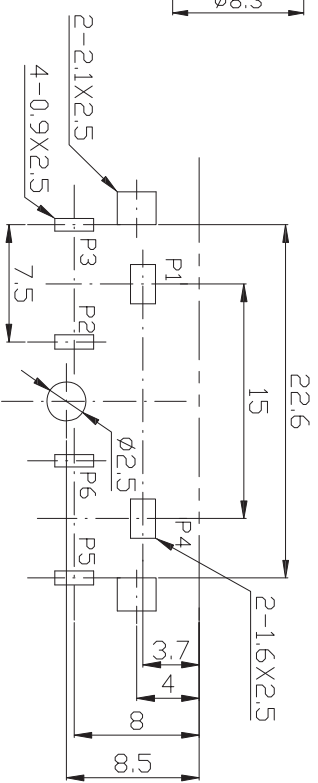


CIRCUIT DIAGRAM



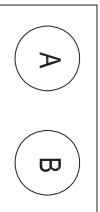
ORDER CHART: RH1039M-XX-G-NL

MODEL No.	010	020	030	040	050	060	070	080	090
COLOR	R=RED	A	R	B	R	W	W	O	Y
WEIGHT	W=WHITE	B=BLACK	B	W	B	B	R	Y	O
Y=YELLOW/O=Orange									



DIMENSIONS OF PCB BOARD HOLES(COMMENT)  
BOTTOM VIEW(±1.6mm)

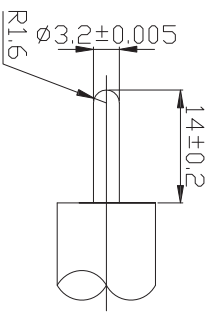
COLOR LAYOUT



ORDERING CHART: RH1039M-XXX-G-NL

RH1039M DUAL RCA WITH M= MOUNTING HOLE  
XXX= REFER TO COLOR CHART \*ON THE LEFT RCA AS \*A\* AND THE RIGHT RCA AS \*B\*  
G= GOLD PLATED BARRELS  
NL= ROHS COMPLIANT.

GAUGE PLUG



- TECHNICAL REQUIREMENT:  
1. THIS PRODUCT SHOULD MEET EU ROHS RELATED REQUIREMENT.  
2. THE SURFACE OF PLASTIC PART SHOULD BE WITHOUT ANY CRACKLE SUCH AS BURR, LACK, AND SO ON PHENOMENON.  
3. THE SURFACE OF METAL PART SHOULD BE WITHOUT ANY DEFECT SUCH AS SACUR, NICK, OXIDATION AND PLATING PROBLEM.  
4. THE ELECTRONIC PERFORMANCE SHOULD BE THE SAME AS SPEC.  
5. THE UN-SPECIFIED TOLERANCE IS:

< 6±0.2  
6-20 ±0.3  
> 20 ±0.4

13-040	5/2/13	C	ADD ADDITIONAL INSERT COLOR TO CHART 'D= Orange'	GM	TL
13-034	4/5/13	B	ADD *OPTION 090* into color chart as Y over Y for yellow/yellow inserts for A & B barrel of the RCA	GM	TL
11-060	4/21/11	A	ADD PC LEAD DIMENSION 4.7MM +/- 0.3	GM	AL
ECN#	DATE	SYM	REVISION RECORD	AUTH	BY

No	NAME	QTY	MATERIAL	PLATING
5	BREAK CONTACT	2	H62 T=0.4	Ag
4	TIP CONTACT	2	QSn65-0.1 T=0.3	Ag
3	WASHER	2	PBT	
2	BASE	1	PBT	
1	OUTER CONDUCTOR	2	H66 BRASS1=0.36	Au

NOTE: ALL DIMS ARE IN MM.

PROJECTION

SCALE: N/A

TOLERANCE: EXCEPT AS NOTED

DEC. MILLIMETERS: 0-6: ±0.2, 6-20: ±0.3, >20: ±0.4

ANG.: N/A

**RDI** Research Develop Innovate

RDI, Inc. 333 North Bedford Road, Suite 135, Mount Kisco, NY 10549

DR.	DATE	REF.	SHEET
Aris	04/12/11	PART NO. RH1039M-XXX-G-NL	1 OF 3
CK.	PRE-	DRAWING NO. 4062	REV. C
Greg	JK	SIZE	

THIS DOCUMENT IS OWNED BY, AND THE INFORMATION CONTAINED IN IT IS PROPRIETARY TO, RDI. BY RECEIPT, HEREOF, THE HOLDER AGREES NOT TO USE THE INFORMATION AND NOT TO DISCLOSE IT TO ANY THIRD PARTY, NOR REPRODUCE THIS DOCUMENT FOR ANY PURPOSES WITHOUT THE WRITTEN PERMISSION OF RDI. AND ADDRESS TO RETURN THIS DOCUMENT FORTHWITH UPON REQUEST.

1. SCOPE  
THIS SPECS IS SUITABLE FOR AV PIN JACK WHICH IS SUITABLE FOR INPUT/OUTPUT OF AUDIO/VIDEO SIGNAL USED AS CONNECTION PART.
2. CONSTRUCTION  
THE EXTERNAL DIMENSIONS OF THIS PRODUCT AND ITS INTERNAL TOLERANCES ARE BASED ON RELEVANT DRAWINGS.
3. MATERIAL  
REFER TO THE MATERIAL SHEET SHOWN IN THE DRAWING
4. APPLIED ENVIRONMENT  
(1) TEMPERATURE: -40-70°C  
(2) RELATIVE HUMIDITY: <90%-95%(55°C±2°C)
5. ELECTRICAL PROPERTIES

No.	ITEMS	TECHNICAL CONDITIONS	TECHNICAL REQUIREMENTS
5.1	RATING LOAD	DC 12V	1A
5.2	DIELECTRIC STRENGTH	AC 500V(50Hz) 1 MIN 2mA	NO ABNORMALITY, NO BREAKDOWN, NO OVER ARC.
5.3	CONTACT RESISTANCE	FREQUENCY: 1000Hz; CURRENT <100mA VOLTAGE: 20mV	≤20mOHM
5.4	INSULATION RESISTANCE	APPLY DC 500V BETWEEN PIN AND OUT CONDUCTOR AND TEST IT AFTER 1 MIN	≥100MOHM

6. MECHANICAL PROPERTIES

No.	ITEMS	TECHNICAL CONDITIONS	TECHNICAL REQUIREMENTS
6.1	INSERTION FORCE	USE STANDARD PLUG MEASURE IT AFTER 3 TIMES OF INSERTION	3-25N
	EXTRACTION FORCE	USE STANDARD PLUG MEASURE IT AFTER 3 TIMES OF EXTRACTION	3-25N
6.2	TERMINAL STRENGTH	PULL THE TERMINAL WITH 20 N FORCE IN AXES DIRECTION FOR 1 MINUTE. THE JACK WILL NOT BE BROKEN OR DAMAGED.	APPEARANCE: NO DEFORMING AND LOOSING
		INSULATION RESISTANCE: ≥100MOHM	VOLTAGE WITHSTANDING: AC500V, 2mA, 1MIN, NO BREAKDOWN, NO OVER ARC.

No.	ITEMS	TECHNICAL CONDITIONS	TECHNICAL REQUIREMENTS
6.3	MECHANICAL LIFE	INSERTING AND EXTRACTING 1000 TIMES WITHOUT LOAD AT THE SPEED OF 10-20 CYCLES PER MINUTE.	APPEARANCE: NO DEFORMING AND LOOSING CONTACT RESISTANCE: ≤30mOHM INSULATION RESISTANCE: ≥100MOHM VOLTAGE WITHSTANDING: AC500V, 2mA, 1MIN, NO BREAKDOWN, NO OVER ARC. INSERTION FORCE: ≤3-25N EXTRACTION FORCE: 3-25N
6.4	STRENGTH OF TAPPING PANT	THE TO PINING PART SHALL BE CAPABLE OF TORQUE OF 1 Nm FOR 10 SECONDS BY M3X8 TAPPING SCREW AND PANEL(T/L)	WITHOUT LOOSING AND BREAKDOWN ETC. ELECTRICAL CHARACTERISTICS SHALL BE SATISFIED.


7. SOLDERING PROPERTIES

No.	ITEMS	TECHNICAL CONDITIONS	TECHNICAL REQUIREMENTS
7.1	SOLDER-ABILITY	SOLDER BATH METHOD: TEMPERATURE: 230°C ± 5 °C FLUX DIPPING TIME 3± 0.5s SECONDS	SOLDER COVERED SURFACE: >90%
7.2	SOLDERING WITHSTANDING	SOLDER BATH METHOD: TEMPERATURE: 280± 5°C FLUX DIPPING TIME : < 5 ± ± 1s	APPEARANCE: TERMINAL NO LOOSING
		CONTACT RESISTANCE: ≤50mOHM	INSULATION RESISTANCE: ≥100MOHM
		VOLTAGE WITHSTANDING: AC500V, 2mA, 1MIN, NO BREAKDOWN, NO OVER ARC.	INSERTION FORCE: 3-25N
		EXTRACTION FORCE: 3-25N	

ECN#	DATE	SYM	REVISION RECORD
13-040	5/2/13	C	ADD ADDITIONAL INSERT COLOR TO CHART 'D= Orange'
13-034	4/5/13	B	ADD *OPTION 090* into color chart as Y over Y for yellow/yellow inserts for A & B barrel of the RCA
11-060	4/21/11	A	ADD PC LEAD DIMENSION 4.7MM +/- 0.3

GM	TL	GM	TL	GM	AL	DEC. INCHES	DR.	DATE	REF.	SHEET
						N/A	Aris	04/12/11	PART NO. RH1039M-XXX-G-NL	2 OF 3
						N/A	Greg		DRAWING NO. 4062	REV. C




**Research Develop Innovate**  
 RDI, Inc. 333 North Bedford Road, Suite 135, Mount Kisco, NY 10549  
 Dual RCA JACK/ROHS Compliant

PROJECTION: TOLERANCE: N/A EXCEPT AS NOTED  
 SCALE: N/A  
 TITLE: Dual RCA JACK/ROHS Compliant  
 THIS DOCUMENT IS OWNED BY, AND THE INFORMATION CONTAINED IN IT IS PROPRIETARY TO, RDI. BY RECEIPT HEREOF THE HOLDER AGREES NOT TO USE THE INFORMATION AND NOT TO DISCLOSE IN ANY MANNER TO ANY OTHER PARTY WITHOUT THE WRITTEN PERMISSION OF RDI. ANY ADDRESS TO RETURN THIS DOCUMENT FORTHWITH UPON REQUEST.

8. ENVIRONMENT PROPERTIES

No.	ITEMS	TECHNICAL CONDITIONS	TECHNICAL REQUIREMENTS
8.1	HEAT WITHSTANDING	TEMPERATURE: 70± 2°C, KEEP 96 HOURS AND MEASURE AFTER ONE HOUR RECOVERY IN STANDARD ATMOSPHERIC CONDITIONS	APPEARANCE: NO DEFORMING AND LOOSING CONTACT RESISTANCE: ≤ 50mOHM INSULATION RESISTANCE: ≥ 100MOMH VOLTAGE WITHSTANDING: AC500V, 2mA, 1MIN, NO BREAKDOWN, NO OVER ARC. INSERTION FORCE: 3-25N EXTRACTION FORCE: 3-25N TERMINAL ROBUSTNESS: 10N, 1MIN, APPEARANCE: NO DEFORMING AND DAMAGE. APPEARANCE: NO DEFORMING AND LOOSING CONTACT RESISTANCE: ≤ 50mOHM INSULATION RESISTANCE: ≥ 10MOMH VOLTAGE WITHSTANDING: AC500V, 2mA, 1MIN, NO BREAKDOWN, NO OVER ARC. INSERTION FORCE: 3-25N EXTRACTION FORCE: 3-25N
8.2	HUMIDITY WITHSTANDING	TEMPERATURE: 40 ± 2°C, RELATIVE HUMIDITY: 90-95% TIME: 96HOURS MEASURE AFTER ONE HOUR RECOVERY IN STANDARD ATMOSPHERIC CONDITIONS	APPEARANCE: NO DEFORMING AND LOOSING CONTACT RESISTANCE: ≤ 50mOHM INSULATION RESISTANCE: ≥ 10MOMH VOLTAGE WITHSTANDING: AC500V, 2mA, 1MIN, NO BREAKDOWN, NO OVER ARC. INSERTION FORCE: 3-25N EXTRACTION FORCE: 3-25N
8.3	COLD WITHSTANDING	TEMPERATURE: -40±3°C, TIME: 96HOURS MEASURE AFTER ONE HOUR RECOVERY IN STANDARD ATMOSPHERIC CONDITIONS.	APPEARANCE: NO DEFORMING AND LOOSING CONTACT RESISTANCE: ≤ 50mOHM INSULATION RESISTANCE: ≥ 10MOMH VOLTAGE WITHSTANDING: AC500V, 2mA, 1MIN, NO BREAKDOWN, NO OVER ARC. INSERTION FORCE: 3-25N EXTRACTION FORCE: 3-25N

No.	ITEMS	TECHNICAL CONDITIONS	TECHNICAL REQUIREMENTS
8.4	TEMPERATURE CYCLE	<p>DECREASE FROM 25°C TO -40°C IN 30 MINUTES; THEN INCREASE FROM -40°C TO 70°C TO COMPLETE ONE CYCLE. TOTAL 5 CYCLES. MEASURE AFTER 24 HOURS OF RECOVERY IN STANDARD ATMOSPHERIC CONDITIONS</p>	APPEARANCE: NO DEFORMING AND LOOSING CONTACT RESISTANCE: ≤ 50mOHM INSULATION RESISTANCE: ≥ 100MOMH VOLTAGE WITHSTANDING: AC500V, 2mA, 1MIN, NO BREAKDOWN, NO OVER ARC. INSERTION FORCE: 3-25N EXTRACTION FORCE: 3-25N APPEARANCE: HIGH-LOW TEMPERATURE TESTING CHAMBER

9. THIS PRODUCT SHOULD MEET EU ROHS RELATED REQUIREMENT.

ECN#	DATE	SYM	REVISION RECORD
13-040	5/2/13	C	ADD ADDITIONAL INSERT COLOR TO CHART 'D= Orange'
13-034	4/5/13	B	ADD *OPTION 090* into color chart as Y over Y for yellow/yellow inserts for A & B barrel of the RCA
11-060	4/21/11	A	ADD PC LEAD DIMENSION 4.7MM +/- 0.3

No.	ITEMS	TECHNICAL CONDITIONS	TECHNICAL REQUIREMENTS
13-040	5/2/13	C	ADD ADDITIONAL INSERT COLOR TO CHART 'D= Orange'
13-034	4/5/13	B	ADD *OPTION 090* into color chart as Y over Y for yellow/yellow inserts for A & B barrel of the RCA
11-060	4/21/11	A	ADD PC LEAD DIMENSION 4.7MM +/- 0.3

**RDJ** Research Develop Innovate  
 RDJ, Inc. 333 North Bedford Road, Suite 135, Mount Kisco, NY 10549

PROJECTION:

SCALE: N/A  
 TOLERANCE: N/A  
 EXCEPT AS NOTED  
 DEC. MILLIMETERS: N/A  
 DEC. INCHES: N/A  
 DR. ANG.: N/A

TITLE: Dual RCA JACK/ROHS Compliant

DR. DATE REF. SHEET  
 Aris 04/12/11 PART NO. RH1039M-XXX-G-NL 3 OF 3  
 CK. Greg PRE- DRAWING NO. 4062 REV. C  
 JK F

THIS DOCUMENT IS OWNED BY, AND THE INFORMATION CONTAINED IN IT IS PROPRIETARY TO, RDJ. BY RECEIPT, HEREOF, THE HOLDER AGREES NOT TO USE THE INFORMATION AND NOT TO DISCLOSE IT TO ANY THIRD PARTY, NOR REPRODUCE THIS DOCUMENT FOR ANY PURPOSE WITHOUT THE WRITTEN PERMISSION OF RDJ. AND ADDRESS TO RETURN THIS DOCUMENT FORTHWITH UPON REQUEST.