

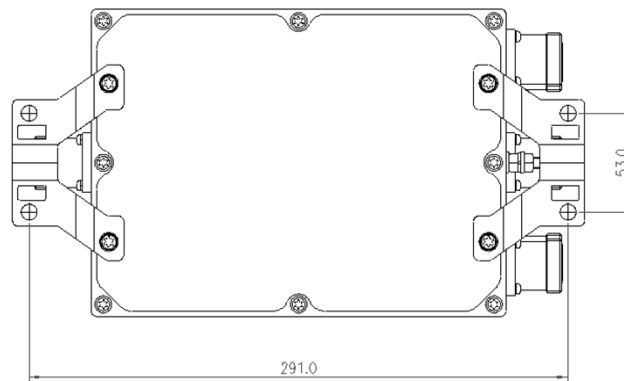
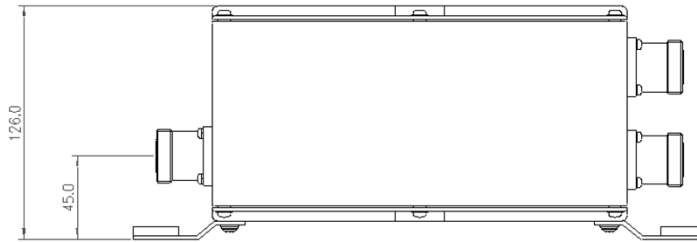
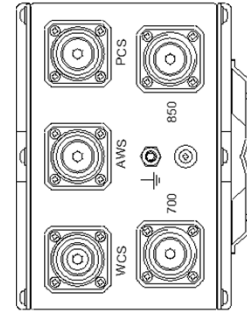
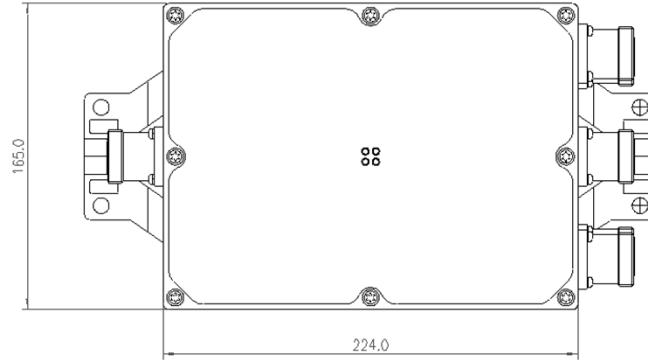
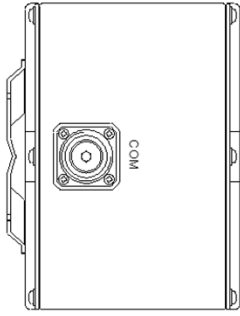
**Electrical Specifications**

ITEM	SPECIFICATION				
	700	850	PCS	AWS1 & AWS3	WCS
<b>Frequency Range (MHz)</b>	698 ~ 787	817 ~ 896	1850 ~2000	1695~1780 & 2110~2180	2305~2360
<b>Insertion Loss</b>	0.5dB Max				
<b>Ripple</b>	0.3dB Max				
<b>Isolation</b>	50dB Min				
<b>Return Loss</b>	18dB Min				
<b>PIMD</b>	161dBc Min. @ 2x43dBm Input				
<b>Power</b>	100W CW Max per Port/ 3Kw Peak				
<b>DC/AISG</b>	All Ports				
<b>Lightning Protection</b>	±5 kA, 8/20us				
<b>In/Out Impedance</b>	50 Ohms Nominal				

**Environmental and Mechanical Specifications**

ITEM	SPECIFICATION
<b>Operating Temperature</b>	-30 to +70°C, IP65
<b>Dimension</b>	165.0 x 224.0 x 116.0 Max (unit:mm)
<b>Mounting Points</b>	Refer to Outline Drawing
<b>RF Connector</b>	7/16 DIN Female Connector
<b>Connector Position</b>	See Outline Drawing

**Outline Drawing**





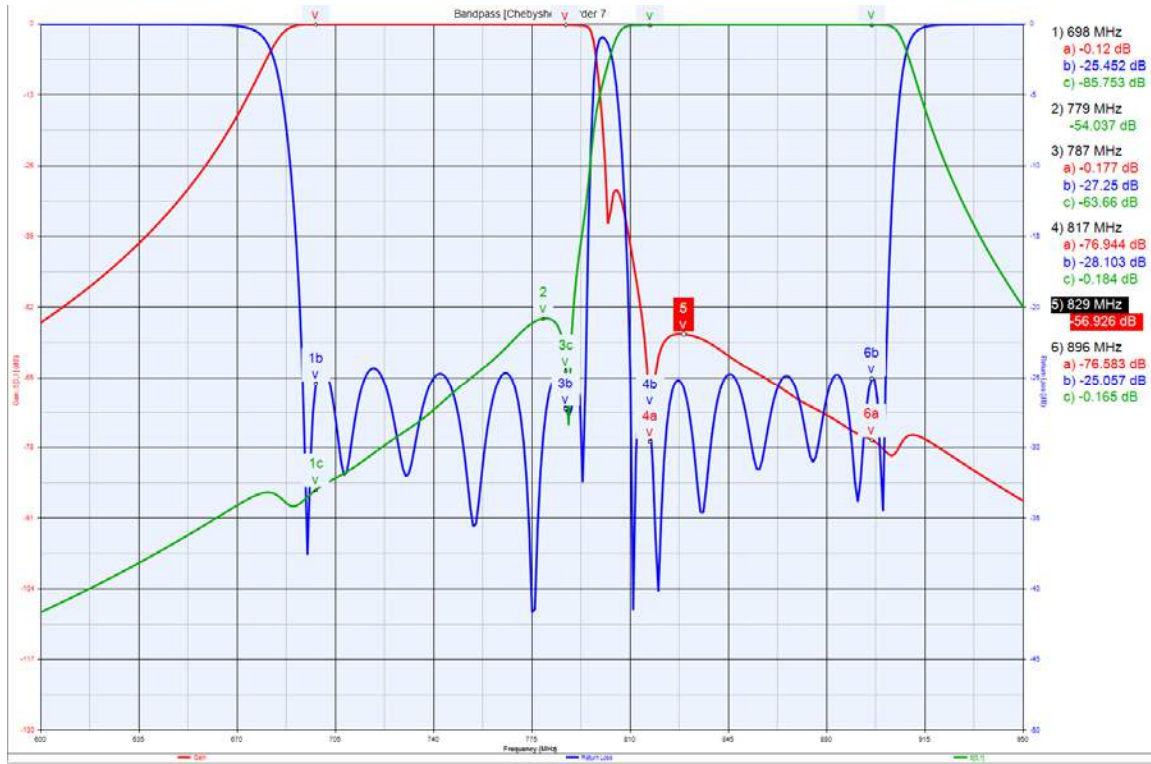
**ANATECH ELECTRONICS INC**  
RF & Microwave Filters & Products

# 700 / 850 / PCS / AWS1 / AWS3 / WCS Cavity Multiplexer

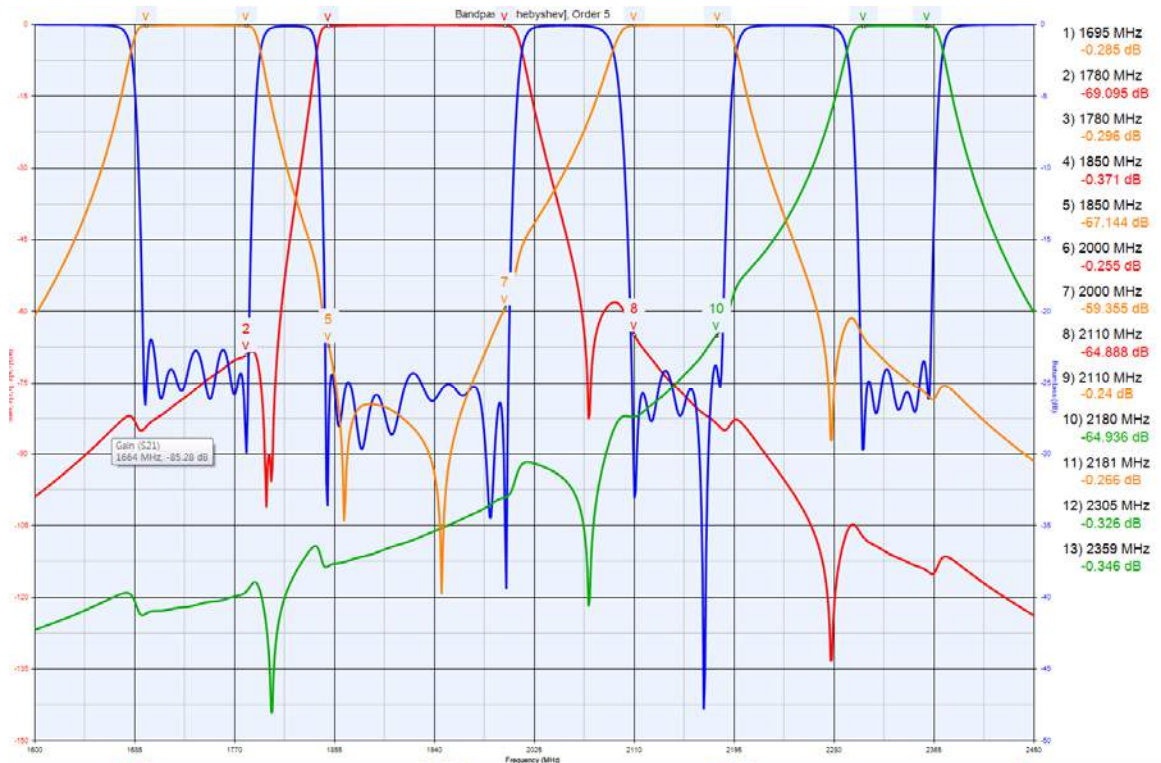
**Part Number:  
AE700-850-1925-1727-2145-2332MP103**



## Response Plots



## 700 MHz / 800 MHz



## AWS / PCS / WCS