



NEVALO SSL System

75W Non Dimmable LED Driver

2100mA Constant Current

Features

- › High efficiency, 85% typical
- › Power factor >.0.95
- › UL recognized, class 2 isolation
- › Protection
 - › Thermal protection of CN88 module
 - › Short circuit
 - › Input surge voltage
 - › Over voltage
 - › Over current
- › Dry and damp location compatible
- › 5 Year warranty with NEVALO system

The NEVALO system 75W non dimmable LED driver is a high efficiency, power factor corrected supply with a unique color coded, keyed interconnect design that helps deliver optimal power to LEDs. The driver is designed with built-in voltage and thermal protection and is warranted for 5 years when used with the NEVALO SSL System.

APPLICATIONS

- › Retail / Shop lighting
- › Office / Corridor downlights
- › Exterior / Architectural / Security lighting
- › High Flux/High Lumen lighting

MECHANICAL CONSTRUCTION

Body: Aluminum, Silver

End Caps: Zinc Plated Steel

Input Wire: 18AWG Stranded, UL 1015 PVC 300V,

› Neutral - White

› Line/Mains - Black

› Earth Ground - Green with Yellow Stripe

NEVALO Connector: Glass Filled LCP, Natural

Strain Relief: Nylon 6/6, Black

ENVIRONMENTAL

Storage Temperature: -40°C to 85°C

Temperature (Max) T_c: 90°C

Max Ambient Operating Temperature: 50°C

Humidity: 5-95% non-condensing

Sound: Class A

Vibration: IEC 60068-2-64; IEC 60068-2-6

ROHS Compliant: Yes

ELECTRICAL CHARACTERISTICS

	Parameter	Conditions	Min	Typ	Max	Units
Input	Voltage (V _{in})		90		305	VAC
	Frequency (freq _{in})		47		63	Hz
	Power Factor (PF)	V _{in} = 120VAC at max load		0.95		
	Efficiency	I _o at max load, V _{in} = 110VAC		85		%
	THD				20	%
	In-rush Current (I _{in}) MAX	V _{in} = 120VAC			20	A
Output	Voltage (V _o)	At rated load	18		36	DC
	Current (I _o)			2100		mA
	Current Regulation (I _R)			3	5	%
	Set Point Current Accuracy	V = 110VAC-132VAC			3	%
	Ripple Current				10	%
Protection	Over-Voltage Limit Threshold			YES		
	Output Current Short Protection			YES		
	Short & Open Circuit			YES		

Typical values are at T_c = 25°C

nevalo.com
te.com



NEVALO SSL System

75W Non Dimmable LED Driver

2100mA Constant Current

ORDERING INFORMATION

Part Number	Output Power (W)	Nominal Input Voltage (VAC)	Output Current (mA)	Output Voltage (Min)	Output Voltage (Max)	System Budget
2154208-1	75	120-277	2100	18	36	18-36

*System Budget is a unique NEVALO SSL system feature that allows the appropriate LED Light Module (LLM) loading to the driver. Blue = 2100mA and matches color coding on driver.

DOCUMENTS

Click for link to document	
Product Specification	108-2450
Customer Drawing	2154208-1
IS sheet	408-10419

ELECTROMAGNETIC COMPATIBILITY

Parameter	Conditions
EMI Conducted and Radiated	FCC Title 47, Part 15, Class B
Surge Immunity	IEC 61000-4-5,2005 (1.2/50us (8/20us)) L-N = 3kV L-PE/N-PE = 3kV
EMC Compliance - Fast Transients/Bursts	EN61000-4-4, Level 2
ESD Immunity	EN61000-4-2, Level 4
Radiated RFI	EN61000-4-3, 80Mhz - 1 GHz, 10V/M 80% AM
Harmonics	EN61000-3-2, Class C

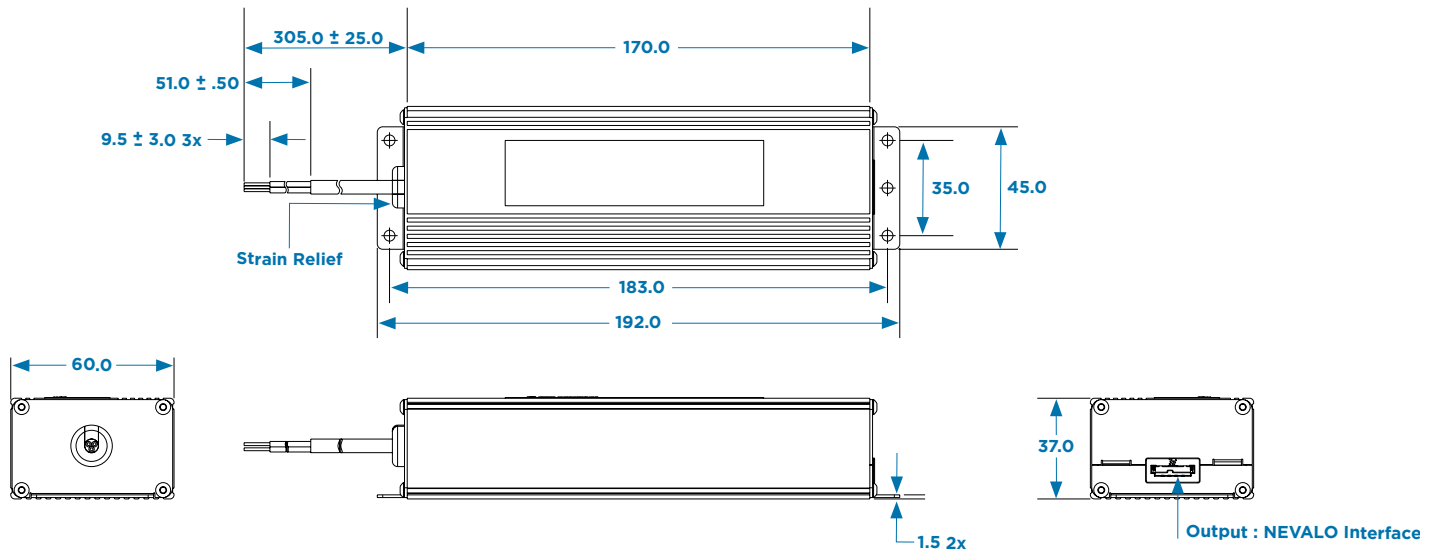
As assembled into complete product

APPROVALS

Parameter	Standard
USA Safety	UL 8750 Recognized, compliant to UL 1310 (pending)
International Safety	CE mark to IEC 61347-1/-2-13 (pending)

As assembled into complete product

PRODUCT DIMENSIONS



nevalo.com
te.com