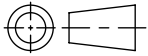
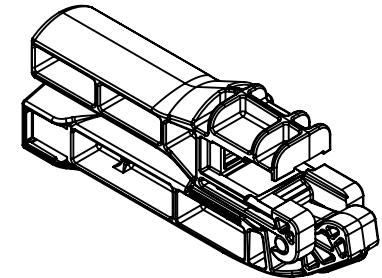
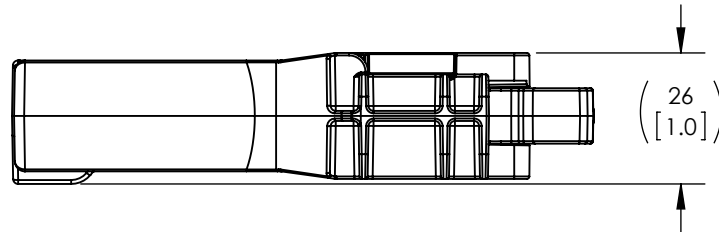


SW2014

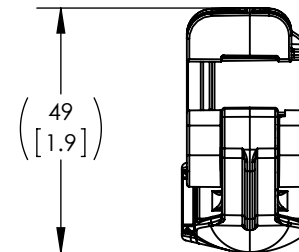
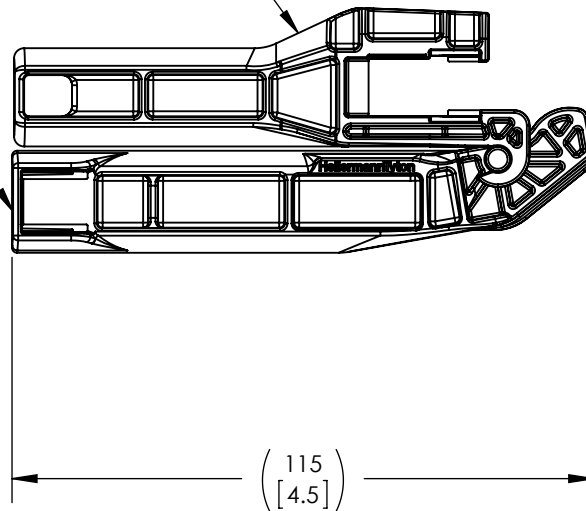


Revision level			Revision Record	Changed	Date	Approved	Date
Drawing	State	Part					
02.1	Design Release	A	SEE ECN# 300259	RDN	8/8/16	RDN	8/8/16



TOOL TOP DETAIL PER  
16-0342-001-DTL

TOOL BOTTOM DETAILED  
PER 16-0342-002-DTL



THIS TOOL IS DESIGNED TO WORK WITH  
THE FOLLOWING HT JACKS:  
GSTJ6AU  
GSTJC6U  
GSTJ5EU

**INSPECTION NOTICE:**

REFER TO DETAIL DRAWINGS FOR INSPECTION DIMENSION CHECK

Material UR066NG33NAT  COLOR: CLARIANT NC6B REEDLITE BLUE CNY 12048	Units: <b>millimeters</b>  Dimension without tolerances details to: .xxx = ±.013 .xx = ±.13 .x = ±.3 None = ±.8 < = ±0.5° Dimension Formatted mm/[in]	The copyright of this drawing is reserved by HellermannTyton. It is issued on condition that it is not reproduced, copied, or disclosed to a third party, either wholly or in part, without the consent of HellermannTyton.	Drawn	EJF	3/18/16	Article/Type-No: HT-PT	Scale	1:1		
			Approved	KAC	3/24/16		Title	Project Number		
			<b>HellermannTyton</b> North America Email: corp@htamericas.com Web: www.hellermann.tyton.com			<b>Pocket Termination Tool</b>			Drawing-No <b>16-0342-101-CSU</b>	Format
						Pre-Production : Phase		Sheet		1/1