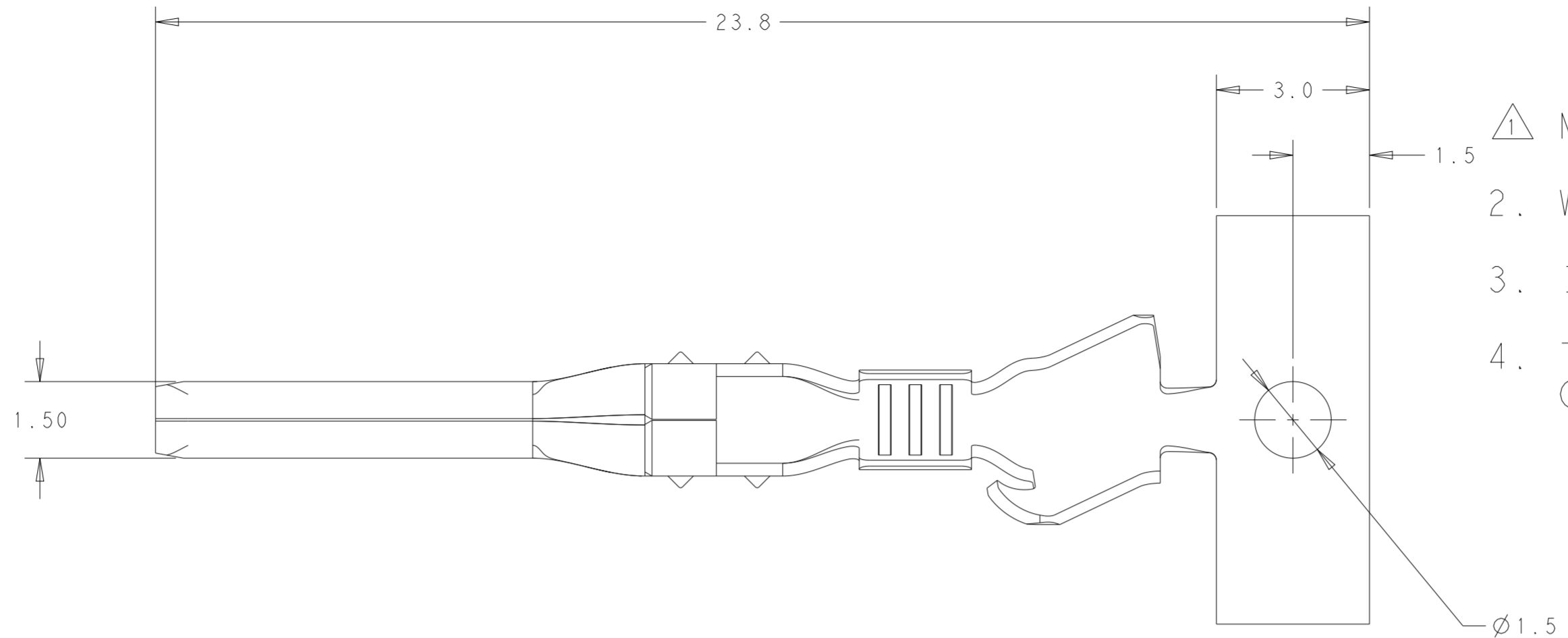
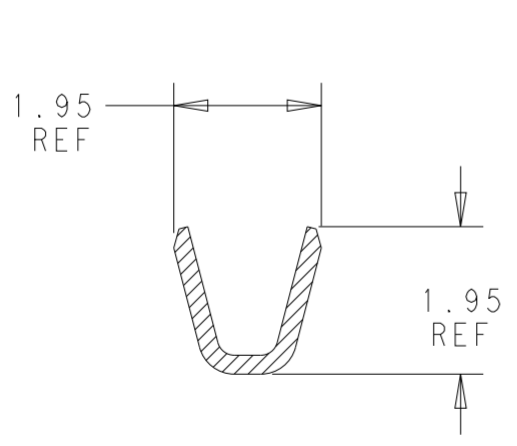
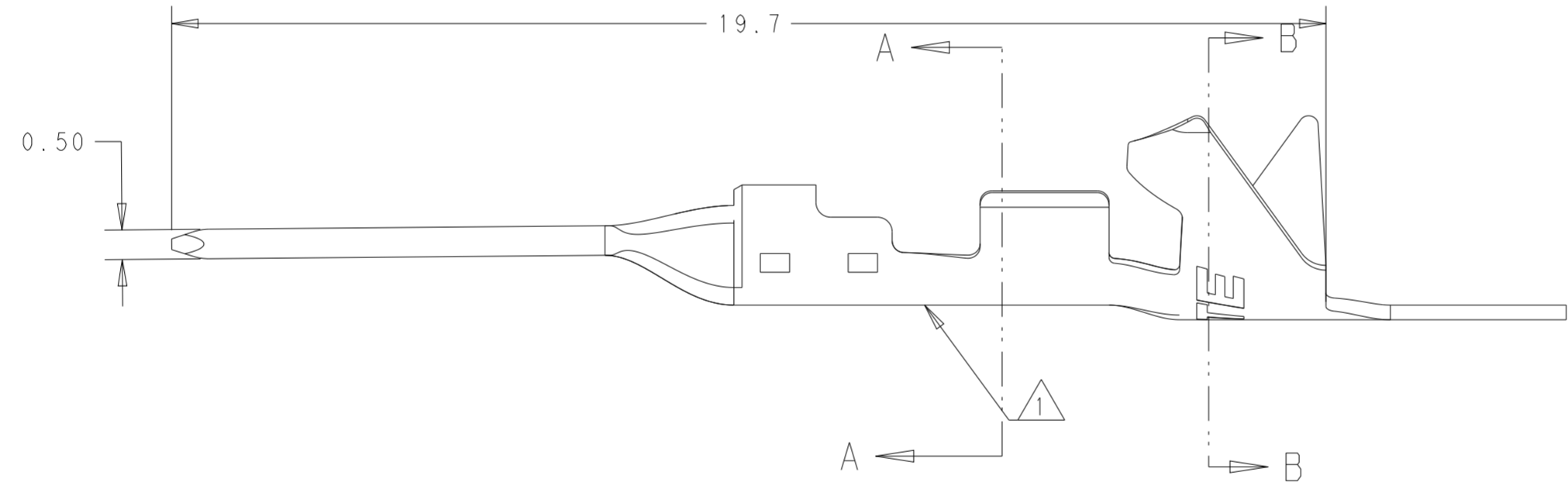
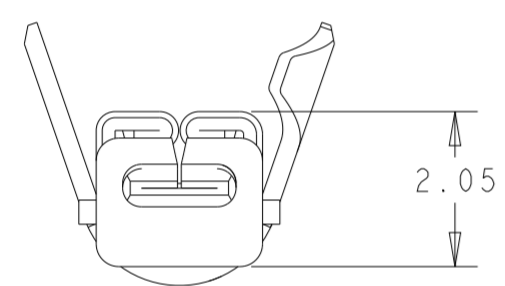


THIS DRAWING IS UNPUBLISHED. RELEASED FOR PUBLICATION 2017
 © COPYRIGHT 2017 BY - TE CONNECTIVITY ALL RIGHTS RESERVED.

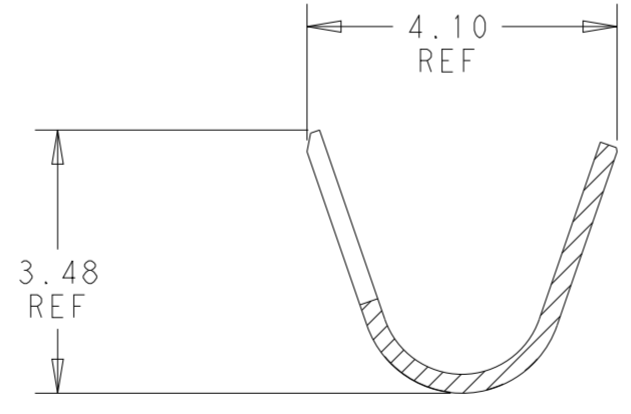
REVISIONS				
P	LTR	DESCRIPTION	DATE	APVD



- 1. MATERIAL MARK
- 2. WIRE: AWG 22-26 COPPER STRANDED
- 3. INSULATION DIA RANGE: 1.3~2.4
- 4. THIS PRODUCT HAS NOT COMPLETED QUALIFICATION TESTING



SECTION A-A
SCALE 10:1



SECTION B-B
SCALE 10:1

THIS DRAWING IS A CONTROLLED DOCUMENT.		DWN: SREERAJ K R 12 JAN 2022	M1	BRASS	2329911-1
DIMENSIONS: mm		CHK: DAVID SWARTZ 12 JAN 2022	MATERIAL MARK 1	MATERIAL	PART NUMBER
TOLERANCES UNLESS OTHERWISE SPECIFIED:		APVD: VINAY 12 JAN 2022	TE Connectivity NAME: POWER VERSA-LOCK TAB TERMINAL WIRE SEAL 22-26 AWG		
0 PLC ± 1 PLC ±0.40 2 PLC ±0.30 3 PLC ± 4 PLC ± ANGLES ±3° FINISH -		PRODUCT SPEC: 108-143081 APPLICATION SPEC: 114-143082 WEIGHT: -			
MATERIAL: SEE TABLE		CUSTOMER DRAWING	SIZE: A2	CAGE CODE: -	DRAWING NO: C-2329911
SCALE: 10:1			SHEET: 1 OF 1	REV: A	RESTRICTED TO: -