

PART NAME

19"/23" EQUIPMENT CABINET RACK

PART No.

DC-8010

REV. DATE

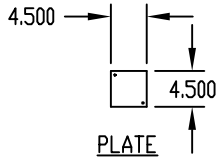
**MATERIAL:**

SIDES & DOORS \_\_\_\_\_ 20 GA. STEEL  
 DOOR STIFFENERS \_\_\_\_\_ 18 GA. STEEL  
 TOP, BOTTOM, RAIL SUPPORTS, PLATES & DOOR STOPS \_\_\_\_\_ 16 GA. STEEL  
 VERTICAL RAILS \_\_\_\_\_ 14 GA. STEEL  
 PANEL MOUNTING RAILS \_\_\_\_\_ 12 GA. STEEL

**FINISH:**

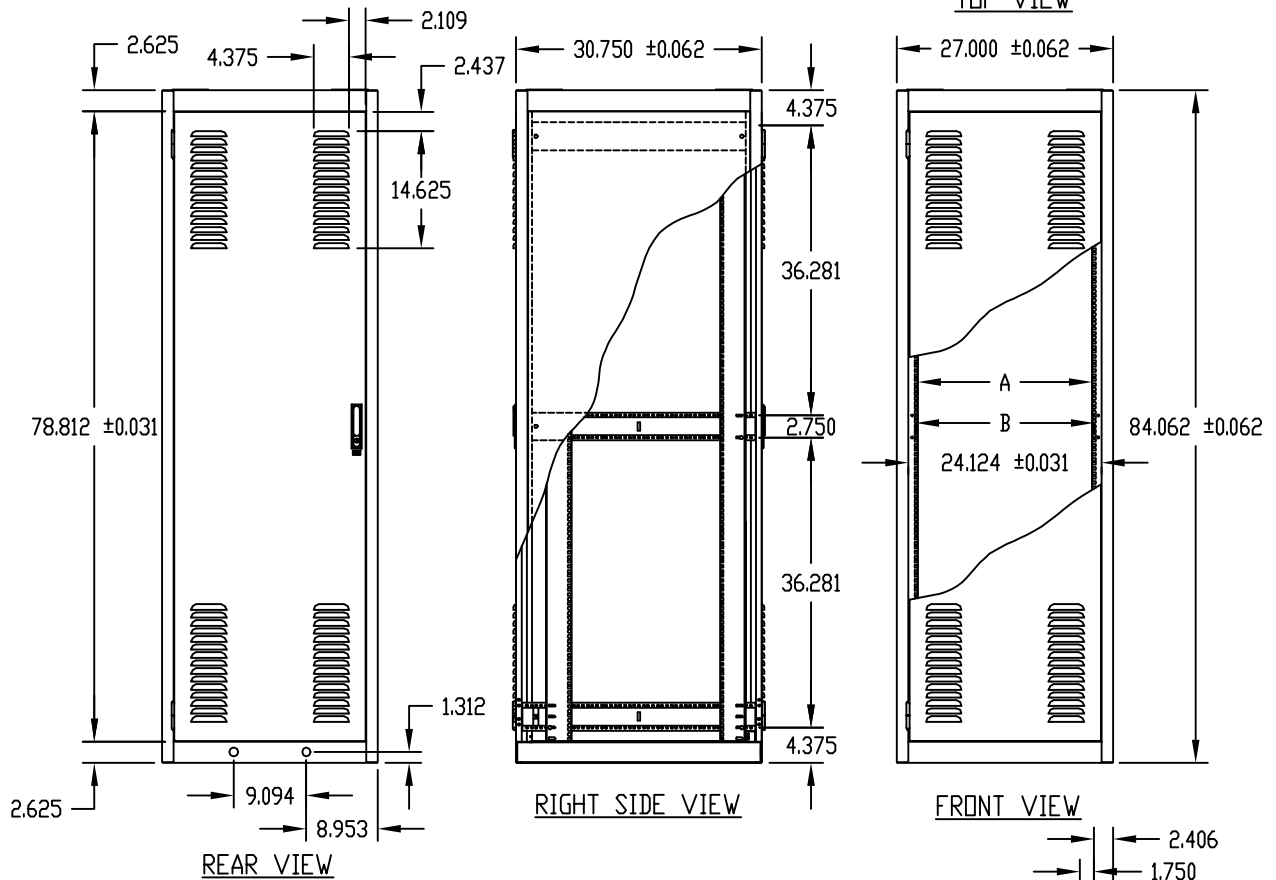
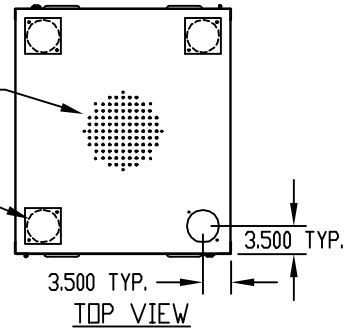
FRAME ASSEMBLY, SIDES, PLATES, DOORS & DOOR HINGES \_\_\_\_\_ SAND TEXTURE  
 PANEL MOUNTING RAILS & DOOR STOPS \_\_\_\_\_ SMOOTH BLACK

LOAD RATING: 1200 LBS. MAX.



MOUNTING PROVISIONS FOR OPTIONAL FAN.

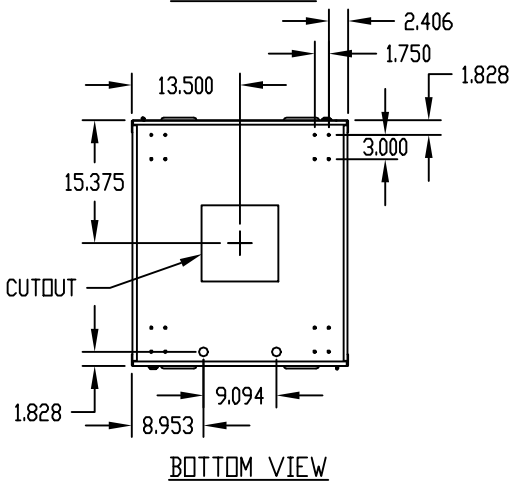
4.062 DIA. (4) HOLES



**NOTES:**

- ① PANEL MOUNTING RAILS WITH 0.343 SQ. HOLES ON E.I.A. UNIVERSAL SPACING AND ARE FULLY ADJUSTABLE.
- ② MOUNTING HOLES PIERCED IN BASE FOR #RC-7758 SWIVEL CASTERS.

9.561 SQUARE CUTOUT



MOUNTING RAIL OPTION	DIMENSION A	DIMENSION B
19" PANEL SPACE MOUNTING RAIL POSITION	17.812 ±0.093	18.312 ±0.062
23" PANEL SPACE MOUNTING RAIL POSITION	21.812 ±0.093	22.312 ±0.062