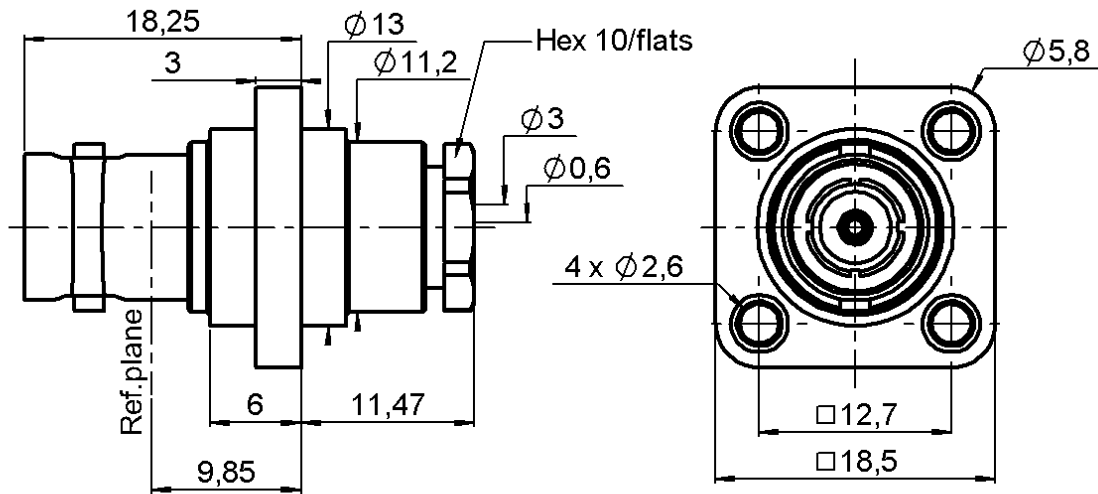


STRAIGHT INSULATED SQUARE FLANGE JACK

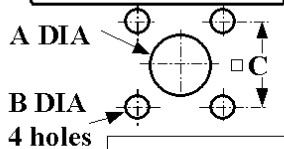
R141.277.000

CLAMP TYPE - CABLE 2.6/50+75

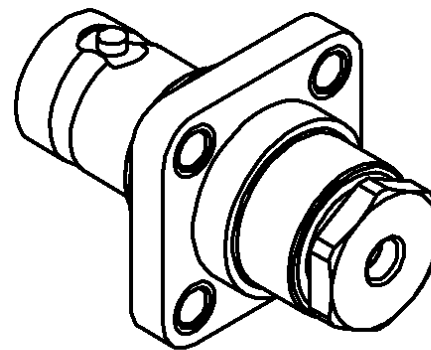
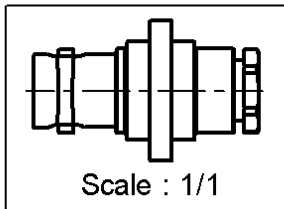
Series : BNC



PANEL CUT OUT



	mm	
	Maxi	mini
A	13.3	13.2
B	2.7	2.6
C	12.75	12.65



All dimensions are in mm.



COMPONENTS	MATERIALS	PLATINGS (μm)
BODY	BRASS	NICKEL 2
CENTER CONTACT	BERYLLIUM COPPER	GOLD 0.5 OVER NICKEL 2
OUTER CONTACT	-	-
INSULATOR	PTFE	-
GASKET	SILICONE RUBBER	-
OTHERS PARTS	BRASS	NICKEL 2
-	-	-
-	-	-

Issue : 0410 N

In the effort to improve our products, we reserve the right to make changes judged to be necessary.



STRAIGHT INSULATED SQUARE FLANGE JACK

R141.277.000

CLAMP TYPE - CABLE 2.6/50+75

Series : **BNC**

PACKAGING

Standard	Unit	Other
100	'W' option	Contact us

SPECIFICATION

ELECTRICAL CHARACTERISTICS

Impedance		50 Ω
Frequency		0-4 GHz
VSWR	* +	0.000 x F(GHz) Maxi
Insertion loss		0.2 √F(GHz) dB Maxi
RF leakage	- (57 - F(GHz)) dB Maxi
Voltage rating		500 Veff Maxi
Dielectric withstanding voltage		1500 Veff mini
Insulation resistance		5000 MΩ mini

CABLE ASSEMBLY

Stripping	a	b	c	d	e	f
mm	4.00	2.00	9.00	3.00	5.00	0.00

Assembly instruction : **Clamp 01**

Recommended cable(s)
 RG 316
 RG 179
 RG 188
 RG 187
 KX 22A

Characteristics indicated on this data sheet are those that can be achieved with the highest performance cable. Intrinsic limitations of the cable may diminish the performance of the assembly

Cable retention

- pull off **110** N mini
 - torque - N.cm

MECHANICAL CHARACTERISTICS

Center contact retention		
Axial force – Mating end	27	N mini
Axial force – Opposite end	27	N mini
Torque	-	N.cm mini

TOOLING

Recommended torque		
Mating	-	N.cm
Panel nut	-	N.cm
Clamp nut	450	N.cm
A/F clamp nut	10.000	mm

Part Number	Description	Hexagon
.	.	.

OTHERS CHARACTERISTICS

Mating life	500	Cycles mini
Weight	16.183	g

* 1.6 max

ENVIRONMENTAL

Operating temperature	-65,+165	° C
Hermetic seal	-	Atm.cm3/s
Panel leakage	-	

Issue : **0410 N**

In the effort to improve our products, we reserve the right to make changes judged to be necessary.

