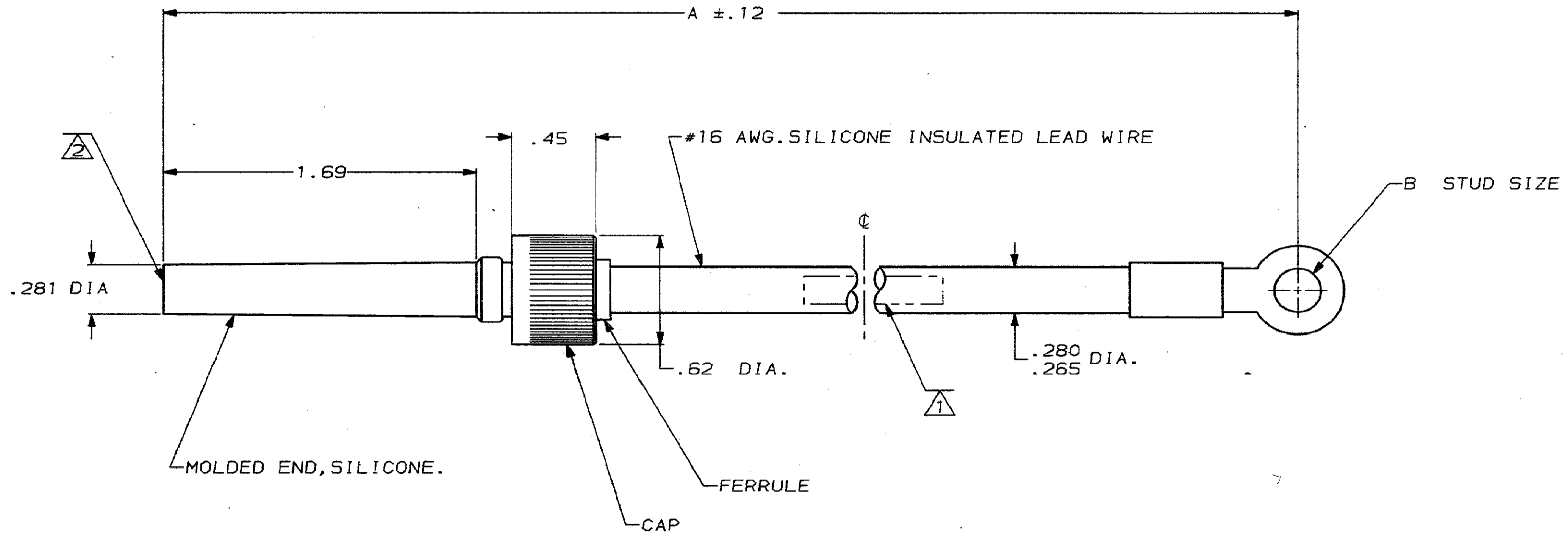


DRAWING MADE IN THIRD ANGLE PROJECTION

THIS DRAWING IS UNPUBLISHED. RELEASED FOR PUBLICATION .19  
 © COPYRIGHT 19 BY AMP INCORPORATED. ALL INTERNATIONAL RIGHTS RESERVED.

PROD	LOC	DIST	REVISIONS				
4092	DF	50	ZONE	LTR	DESCRIPTION	DATE	APPO
				D	REV & REDWN PER DF-1137, DF-0697 TW	11-28-88	W.V.



1 MARKED PER AMP SPEC. MIL-STD-130  
 2 TO MATE WITH AMP LGH-IL RECEPTACLE WITH 1.69 BARREL DEPTH.

OBSOLETE	#10	15.50	865515-4
OBSOLETE	5/16	11.00	865515-3
OBSOLETE	5/16	15.50	865515-2
	1/4	8.50	865515-1
	B	A	PART NO

DO NOT SCALE PRINT. UNLESS SPECIFIED DIMENSIONS IN INCHES TOLERANCES ON: 2 PLC DEC ± .02 3 PLC DEC ± .010 ANGLES ± -	DR 11-29-88 T. WIEST CHK <i>M. Gardner</i> 12-9-88 APPD <i>M. Gardner</i> 12-9-88	AMP   AMP INCORPORATED Harrisburg, Pa. 17105	
MATERIAL -	PRODUCT SPEC -	NAME LGH-IL POSITIVE STOP LEAD ASS'Y WITH RING TONGUE TERM.	
FINISH -	APPLICATION SPEC -	SIZE C	FSCM NO 00779
	WEIGHT -	DRAWING NO 865515	SHEET 1 OF 1
		SCALE 2:1	