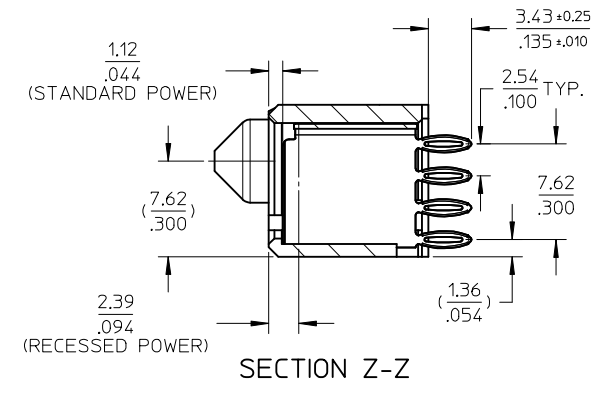
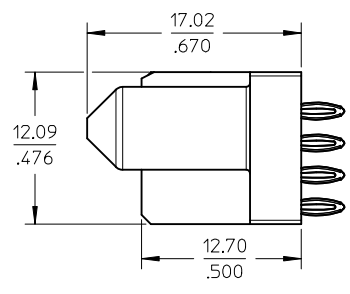
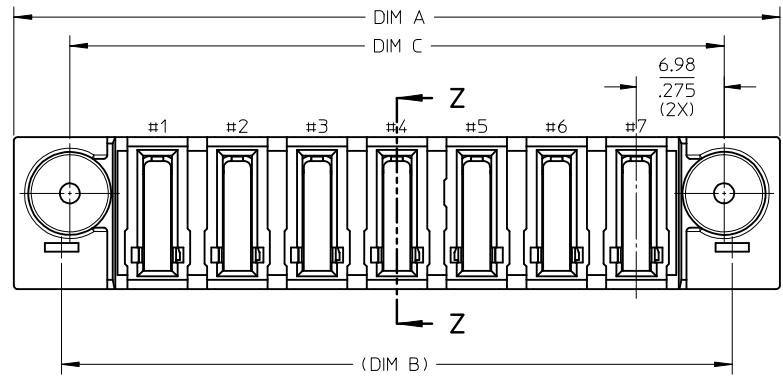
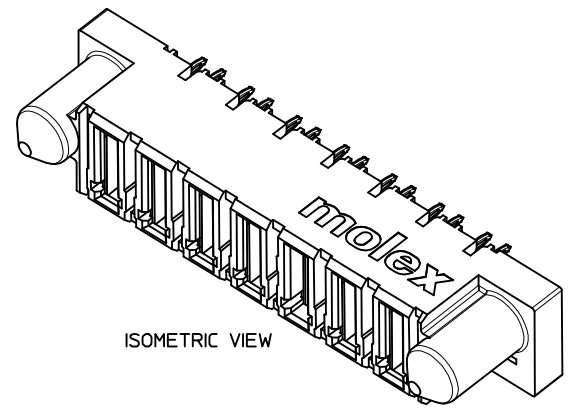
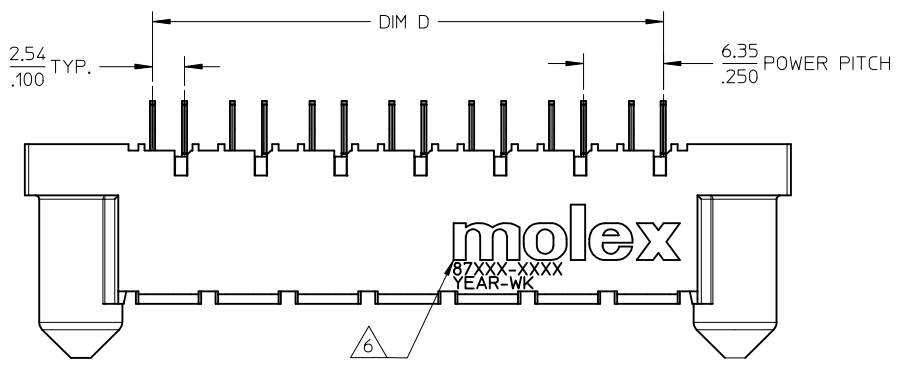


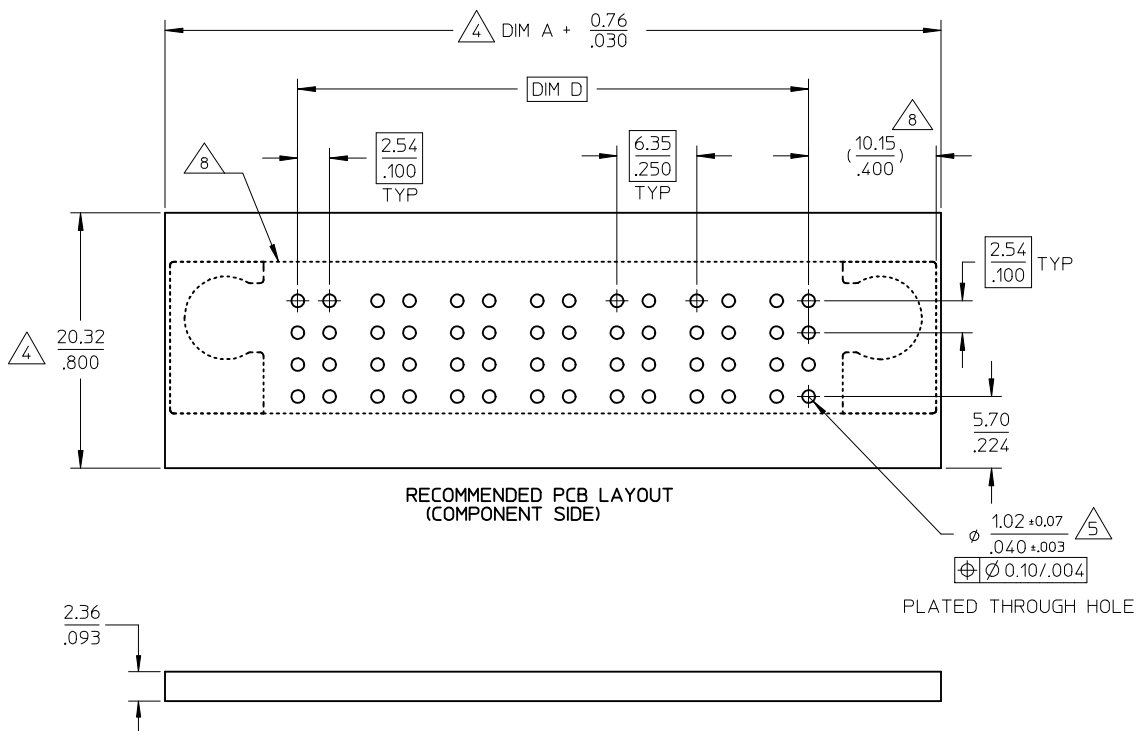
10 9 8 7 6 5 4 3 2 1



REVISED EC NO: S2014-0060 DRWN:SKANG 2013/07/16 CHKD:MLONG 2013/09/06 APPR:MLONG 2013/09/09	DESCRIPTION REV	QUALITY SYMBOLS $F_A=0$ $F_C=0$ $F_P=0$	GENERAL TOLERANCES (UNLESS SPECIFIED)		DIMENSION STYLE MM/IN		SCALE NTS	DESIGN UNITS METRIC	THIRD ANGLE PROJECTION		
			4 PLACES ± --- ± --- 3 PLACES ± --- ± --- 2 PLACES ± 0.13 ± --- 1 PLACE ± 0.25 ± --- 0 PLACE ± ±	mm INCH	DRAWN BY KMGOH	DATE 2002/09/23	TITLE POWER CONN. RECEPTACLE ALL POWER CONFIGURATION VERTICAL PRESS-FIT				
			ANGULAR ± 3 ° DRAFT WHERE APPLICABLE MUST REMAIN WITHIN DIMENSIONS	SEE TABLE		APPROVED BY SKTOH	DATE 2002/10/30	moLEX			
		D1				MATERIAL NO. SEE TABLE	DATE 2002/10/30	DOCUMENT NO. SD-87691-010	SHEET NO. 1 OF 2		

9 8 7 6 5 4 3 2 1

PART NUMBER	ALL POWER CONFIGURATION	RECESSED POWER CIRCUIT	DIM A	DIM B	DIM C	DIM D	PACKAGING	PLATING OPTION
87691-1007	7	NIL	60.96 2.400	53.34 2.100	52.07 2.050	40.64 1.600	TRAY	TIN
87691-2002	5	#1 & #5	48.26 1.900	40.64 1.600	39.37 1.550	27.94 1.100		
87691-2003	2	NIL	29.21 1.150	21.59 0.850	20.32 0.800	8.89 0.350		



CONNECTOR - NOTES

1. MATERIALS :

- HOUSING - LCP, GLASS FILLED, UL94-0,COLOR:BLACK.
- POWER PIN - COPPER ALLOY

2. FINISH :

POWER CONTACTS

- 0.76 MICROMETER MINIMUM GOLD (Au) AT CONTACT AREA AND 2.54 MICROMETER MINIMUM TIN AT SOLDER TAIL AREA OVER 1.27um MIN. NICKEL (Ni) UNDERPLATE.

3. PRODUCT SPECIFICATION: PS-87633-006.

△4 COMPONENT STAY AWAY ZONE FROM CONNECTOR.

△5 PCB NOTE FOR DIAMETER 1.02/.040 PLATED HOLE.

- DRILLED HOLE SIZE IS 1.151/.0453

- PLATE WITH 0.007/.0003 MINIMUM TIN OVER 0.03/.001

TO 0.08/.003 COPPER PLATING TO ACHIEVE 1.02±0.08/.040±.003 HOLE.

SEE SHEET 2 FOR RECOMMENDED PCB LAYOUT.

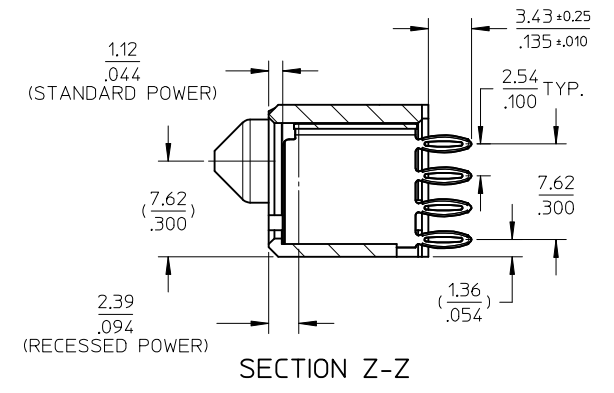
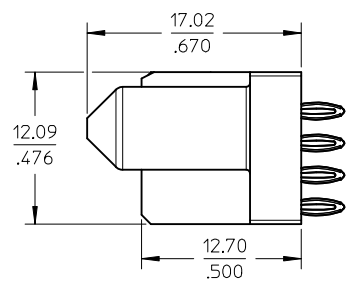
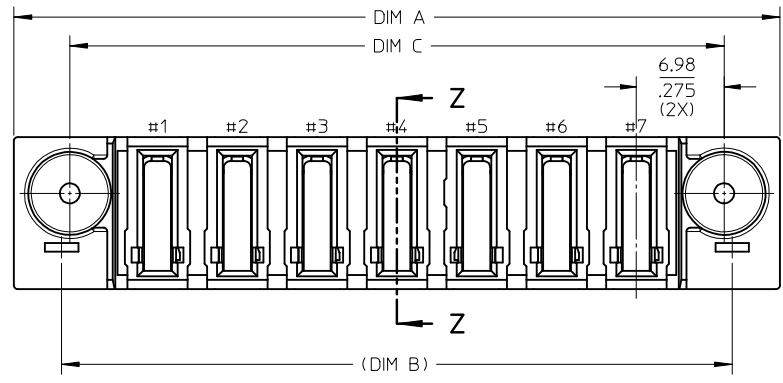
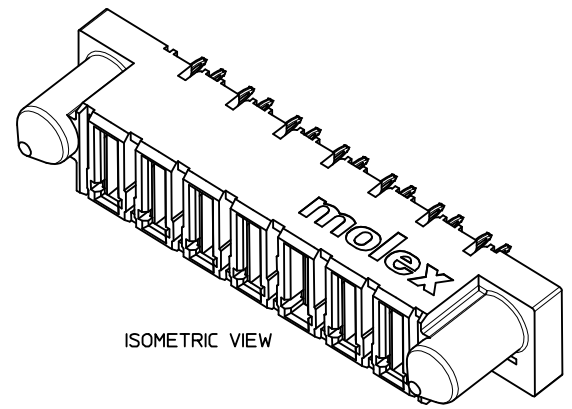
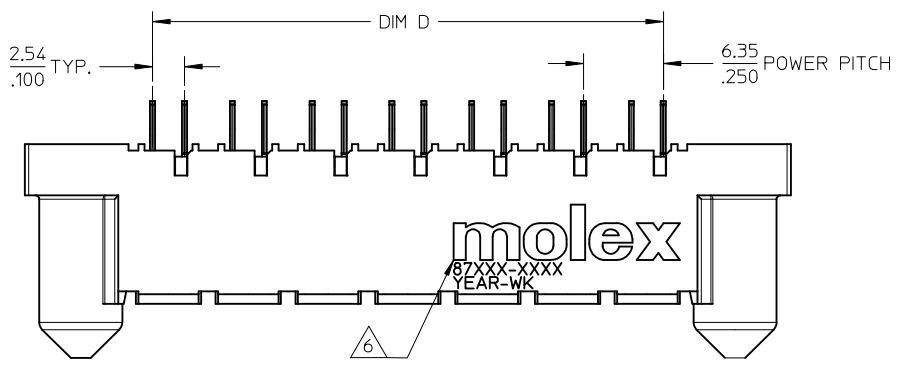
△6 MANUFACTURER LOGO,PART NUMBER AND YEAR-WEEK CODE.

7. 7 POWER CIRCUIT CONFIGURATION IS SHOWN FOR ILLUSTRATION.

△8 IMAGINARY LINE & DIMENSION TO POSITION AND PROVIDE CONNECTOR ORIENTATION W.R.T. PCB LAYOUT.

REVISED	EC NO: S2014-0060	DRW:SKANG	CHKD:MLONG	APPR:MLONG	DESCRIPTION	QUALITY SYMBOLS	GENERAL TOLERANCES (UNLESS SPECIFIED)		DIMENSION STYLE		SCALE	DESIGN UNITS	THIRD ANGLE PROJECTION		
							mm	INCH	MM/IN	NTS	METRIC	DATE	DATE		
						F <sub>A</sub> =0	4 PLACES	± ---	± ---	DRAWN BY	DATE	TITLE	<b>POWER CONN. RECEPTACLE</b> <b>ALL POWER CONFIGURATION</b> <b>VERTICAL PRESS-FIT</b> <b>molex</b> <b>SD-87691-010</b>		
						F <sub>E</sub> =0	3 PLACES	± ---	± ---	CHECKED BY	DATE				
						F <sub>B</sub> =0	2 PLACES	± 0.13	± ---	PTLIM	DATE				
							1 PLACE	± 0.25	± ---	APPROVED BY	DATE				
							0 PLACE	±	±	SKTOH	DATE				
							ANGULAR ± 3 °		MATERIAL NO.		DOCUMENT NO.		SHEET NO.		
							DRAFT WHERE APPLICABLE MUST REMAIN WITHIN DIMENSIONS		SEE TABLE				2 OF 2		
									SIZE A3		THIS DRAWING CONTAINS INFORMATION THAT IS PROPRIETARY TO MOLEX INCORPORATED AND SHOULD NOT BE USED WITHOUT WRITTEN PERMISSION				

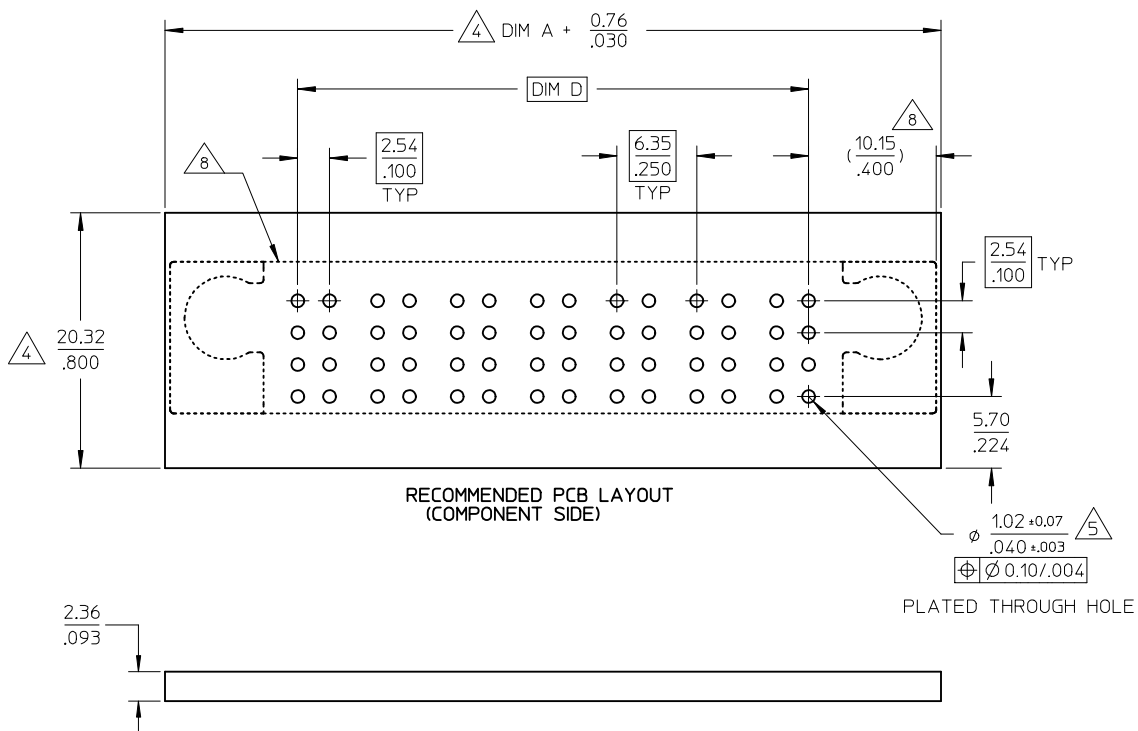
10 9 8 7 6 5 4 3 2 1



REVISED EC NO: S2014-0060 DRWN:SKANG 2013/07/16 CHKD:MLONG 2013/09/06 APPR:MLONG 2013/09/09	DESCRIPTION REV	QUALITY SYMBOLS $F_A=0$ $F_C=0$ $F_P=0$	GENERAL TOLERANCES (UNLESS SPECIFIED)		DIMENSION STYLE MM/IN		SCALE NTS	DESIGN UNITS METRIC	THIRD ANGLE PROJECTION		
			4 PLACES ± --- ± --- 3 PLACES ± --- ± --- 2 PLACES ± 0.13 ± --- 1 PLACE ± 0.25 ± --- 0 PLACE ± ±	mm INCH	DRAWN BY KMGOH	DATE 2002/09/23	TITLE POWER CONN. RECEPTACLE ALL POWER CONFIGURATION VERTICAL PRESS-FIT				
			ANGULAR ± 3 ° DRAFT WHERE APPLICABLE MUST REMAIN WITHIN DIMENSIONS	SEE TABLE		APPROVED BY SKTOH	DATE 2002/10/30	moLEX			
		D1				MATERIAL NO. SEE TABLE	DATE 2002/10/30	DOCUMENT NO. SD-87691-010	SHEET NO. 1 OF 2		

9 8 7 6 5 4 3 2 1

PART NUMBER	ALL POWER CONFIGURATION	RECESSED POWER CIRCUIT	DIM A	DIM B	DIM C	DIM D	PACKAGING	PLATING OPTION
87691-1007	7	NIL	60.96 2.400	53.34 2.100	52.07 2.050	40.64 1.600	TRAY	TIN
87691-2002	5	#1 & #5	48.26 1.900	40.64 1.600	39.37 1.550	27.94 1.100		
87691-2003	2	NIL	29.21 1.150	21.59 0.850	20.32 0.800	8.89 0.350		



CONNECTOR - NOTES

1. MATERIALS :

- HOUSING - LCP, GLASS FILLED, UL94-0,COLOR:BLACK.
- POWER PIN - COPPER ALLOY

2. FINISH :

POWER CONTACTS

- 0.76 MICROMETER MINIMUM GOLD (Au) AT CONTACT AREA AND 2.54 MICROMETER MINIMUM TIN AT SOLDER TAIL AREA OVER 1.27um MIN. NICKEL (Ni) UNDERPLATE.

3. PRODUCT SPECIFICATION: PS-87633-006.

4. COMPONENT STAY AWAY ZONE FROM CONNECTOR.

5. PCB NOTE FOR DIAMETER 1.02/.040 PLATED HOLE.

- DRILLED HOLE SIZE IS 1.151/.0453

- PLATE WITH 0.007/.0003 MINIMUM TIN OVER 0.03/.001

TO 0.08/.003 COPPER PLATING TO ACHIEVE 1.02+0.08/.040+0.003 HOLE.

SEE SHEET 2 FOR RECOMMENDED PCB LAYOUT.

6. MANUFACTURER LOGO,PART NUMBER AND YEAR-WEEK CODE.

7. 7 POWER CIRCUIT CONFIGURATION IS SHOWN FOR ILLUSTRATION.

8. IMAGINARY LINE & DIMENSION TO POSITION AND PROVIDE CONNECTOR ORIENTATION W.R.T. PCB LAYOUT.

REVISED	EC NO: S2014-0060	DRW:SKANG	CHKD:MLONG	APPR:MLONG	DESCRIPTION	QUALITY SYMBOLS	GENERAL TOLERANCES (UNLESS SPECIFIED)		DIMENSION STYLE		SCALE	DESIGN UNITS	THIRD ANGLE PROJECTION	
							mm	INCH	MM/IN	NTS	METRIC	DATE	DATE	TITLE
						$F_A=0$	4 PLACES	± ---	± ---	DRAWN BY	DATE	POWER CONN. RECEPTACLE ALL POWER CONFIGURATION VERTICAL PRESS-FIT	<b>molex</b>	SHEET NO. 2 OF 2
						$F_E=0$	3 PLACES	± ---	± ---	CHECKED BY	DATE			
						$F_B=0$	2 PLACES	± 0.13	± ---	PTLIM	DATE			
							1 PLACE	± 0.25	± ---	APPROVED BY	DATE			
							0 PLACE	±	±	SKTOH	DATE			
							ANGULAR ± 3 °		MATERIAL NO.		DOCUMENT NO.			
							DRAFT WHERE APPLICABLE MUST REMAIN WITHIN DIMENSIONS		SEE TABLE		SD-87691-010			
							SIZE A3		THIS DRAWING CONTAINS INFORMATION THAT IS PROPRIETARY TO MOLEX INCORPORATED AND SHOULD NOT BE USED WITHOUT WRITTEN PERMISSION					