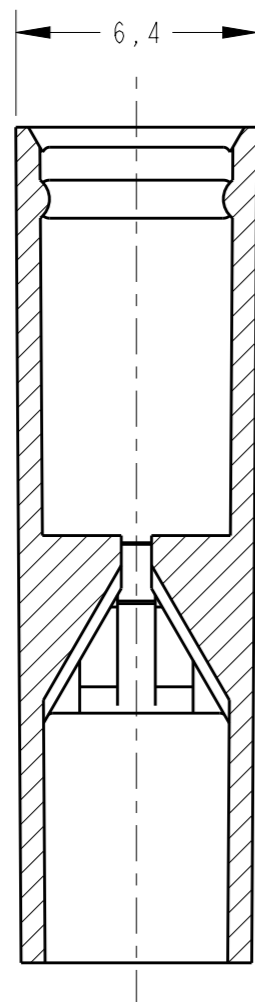
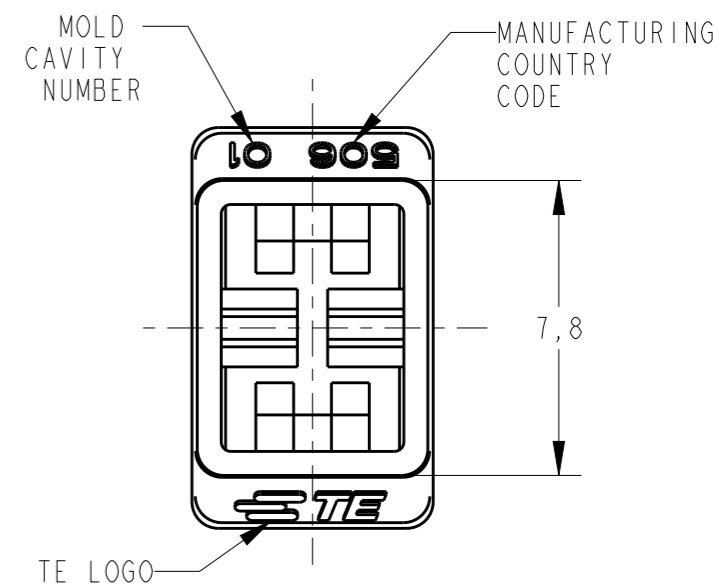
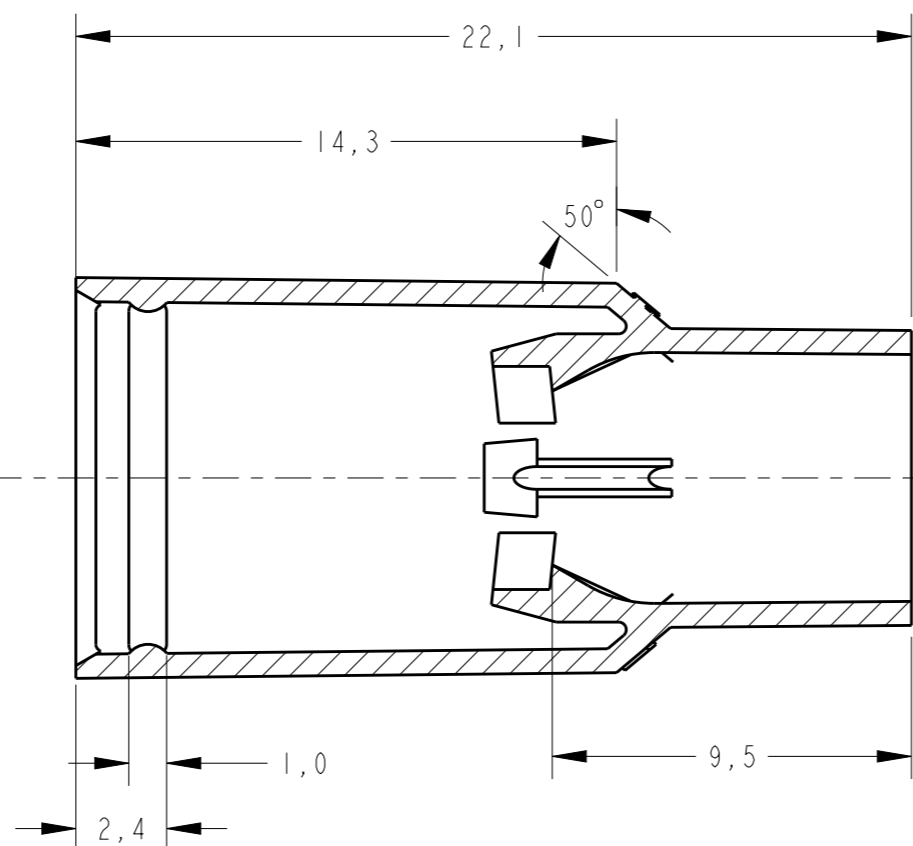
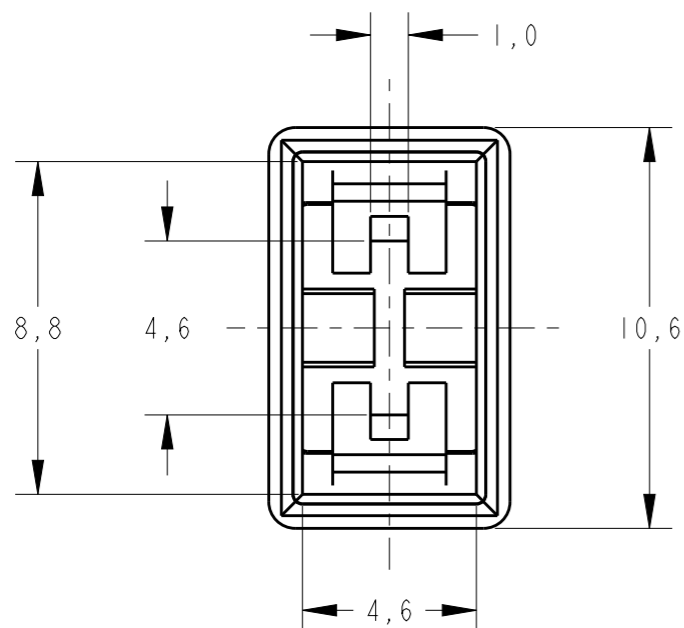


THIS DRAWING IS UNPUBLISHED. RELEASED FOR PUBLICATION 20  
 © COPYRIGHT 20 BY - ALL RIGHTS RESERVED.

LOC AP DIST -

REVISIONS					
P	LTR	DESCRIPTION	DATE	DWN	APVD
	CI	REV. BY ECO 14-010611	30JUL2014	HC	WLS



SECTION A-A

SECTION B-B

BLACK	PA 6.6	881339-3
NATURAL	PA6.6 V-0 OR PA6.6+PA6 V-0	881339-2
NATURAL	PA 6.6	881339-1
FINISH	MATERIAL	PART NUMBER

THIS DRAWING IS A CONTROLLED DOCUMENT.		DWN H. CANTERI 30JUL2014	TE Connectivity	
		CHK W.L. STEFANI 30JUL2014		
DIMENSIONS: mm 		TOLERANCES UNLESS OTHERWISE SPECIFIED: 0 PLC ±- 1 PLC ±0,3 2 PLC ±- 3 PLC ±- 4 PLC ±- ANGLES ±1°		NAME SLEEVE FOR 6,35(.250)FASTON TAB
MATERIAL -	FINISH -	APVD -	PRODUCT SPEC -	APPLICATION SPEC -
		WEIGHT -	SIZE A3	CAGE CODE -
		Customer Drawing		DRAWING NO. C-881339 RESTRICTED TO - SCALE 5:1 SHEET 1 OF 1 REV CI