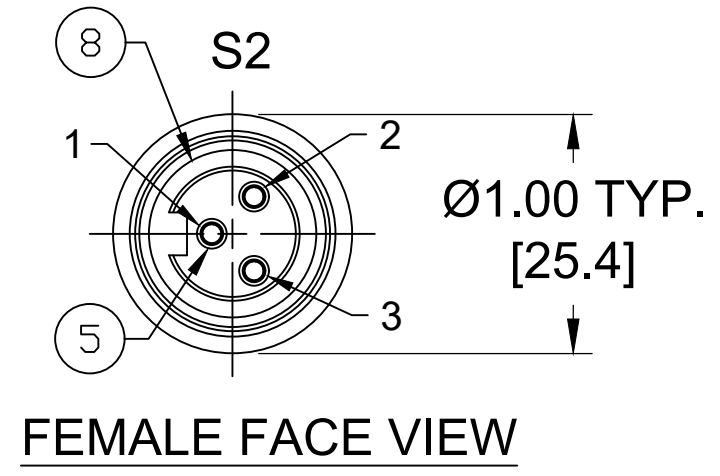
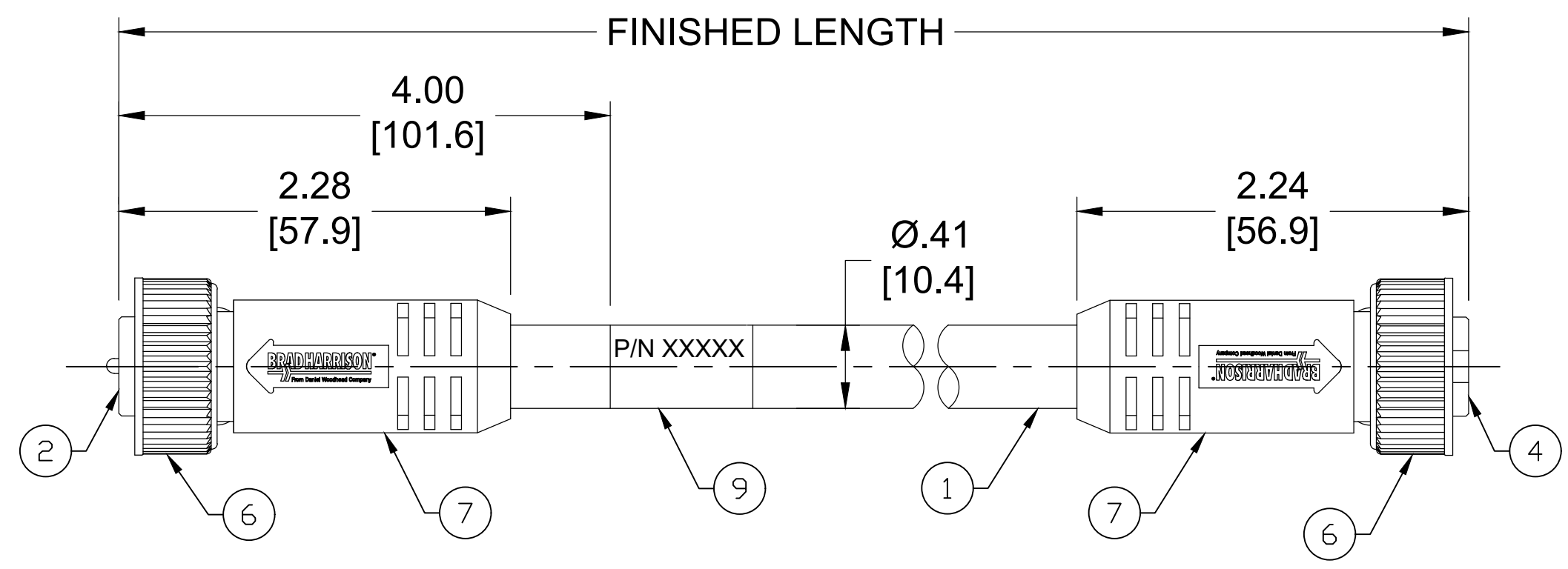
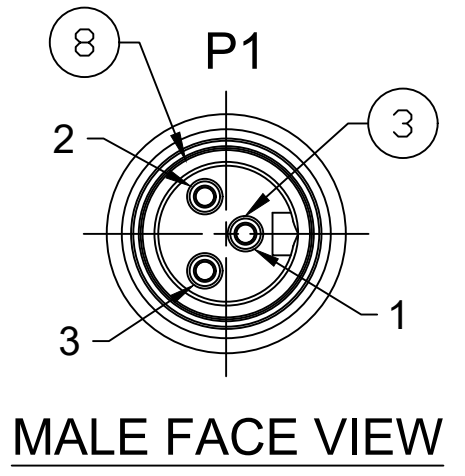
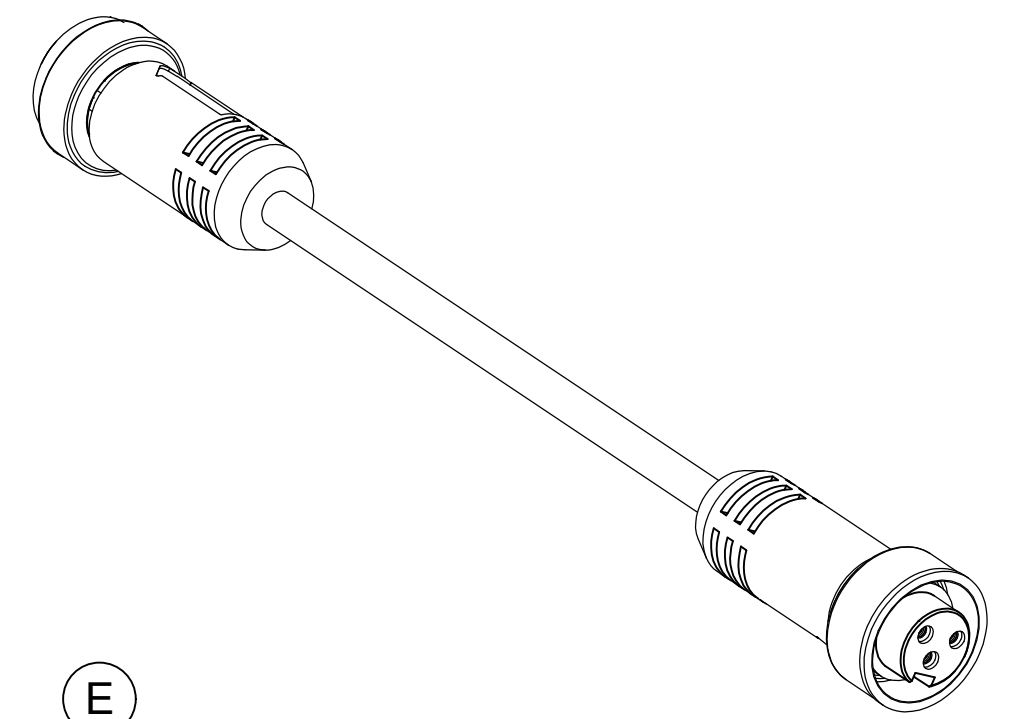


PART NO	ENGINEERING NO.	FINISHED LENGTH
1300100210	113020A01F010	1FT [0.3M]
1300100233	113020A01F150	15FT [4M 22 IN]
1300100245	113020A01F300	30FT [9M 6 IN]

- NOTES:
- MATERIAL: AS NOTED
 - FINISH: AS NOTED
 - ELECTRICAL:
 - VOLTAGE: 500V PER IEC60664
 - 600V PER UL2238
 - CURRENT: 13A
 - TEMP RATING: -20° TO +105°C
 - PROTECTION: IP67 (WHEN MATED)
 - COUPLING THREAD: 7/8"-16UN
 - UL RECOGNIZED FILE: E152210
CSA CERTIFIED FILE: LR6837
 - ALL DIMENSIONS ARE FOR REFERENCE
UNLESS TOLERANCED OR NOTED OTHERWISE



PART NUMBER LEGEND
113020A01F010
 FINISHED LENGTH
 F010 = 1 FEET
 F100 = 10 FEET
 F300 = 30 FEET



ITEM	COMPONENT	MATERIAL	FINISH
9	WRAP LABEL	VINYL	BLACK/YELLOW
8	FRICITION RING	NYLON	WHITE
7	OVERMOLD	TPE	YELLOW
6	COUPLING NUT	ZINC DIE CAST	BLACK E-COATED
5	CONTACT SOCKET	COPPER ALLOY	GOLD OVER NICKEL
4	FEMALE INSERT	TPE	YELLOW
3	CONTACT PIN	COPPER ALLOY	GOLD OVER NICKEL
2	MALE INSERT	TPE	YELLOW
1	CABLE- 16AWG, ST00W, ST	PVC	YELLOW

P1		S2
1	GREEN-YELLOW	1
2	BLACK	2
3	WHITE	3

WIRING DIAGRAM

CABLE LENGTH TOLERANCES

<.3M [1FT]:	+19mm-0 [+ .75in-0]
.3 - .9M [1 - 3FT]:	+44.5mm-0 [+1.75in-0]
.9 - 1.8M [3 - 6FT]:	+55.6mm-0 [+2.19in-0]
1.8 - 3.7M [6 - 12FT]:	+88.9mm-0 [+3.50in-0]
3.7 - 7.3M [12 - 24FT]:	+165.1mm-0 [+6.50in-0]
7.3-14.6M [24 - 48FT]:	+317.5mm-0 [+12.50in-0]
14.6 - 30.5M [48-100FT]:	+622.3mm-0 [+24.50in-0]
OVER 30M [100FT]	+2% OF FINISHED LENGTH

FUNCTIONAL SYMBOLS $\nabla_A=0$ $\nabla_C=0$ $\nabla_P=0$ DIVISIONAL SYMBOLS	THIS DRAWING CONTAINS INFORMATION THAT IS PROPRIETARY TO MOLEX ELECTRONIC TECHNOLOGIES, LLC AND SHOULD NOT BE USED WITHOUT WRITTEN PERMISSION DIMENSION UNITS: INCH/MM SCALE: NTS GENERAL TOLERANCES (UNLESS SPECIFIED): 4 PLACES ±--- ±--- 3 PLACES ±--- ±--- 2 PLACES ±--- ±--- 1 PLACE ±--- ±--- 0 PLACES ±--- ±--- ANGULAR TOL ± --- ° DRAFT WHERE APPLICABLE MUST REMAIN WITHIN DIMENSIONS	CURRENT REV DESC: INSERT & OVERMOLD WERE PVC. ADDED #8 FRICTION RING, IEC VOLTAGE, PN LEGEND & TOL CHART. MODIFIED PN CHART EC NO: 702709 DRWN: ABENJAMINLW 2021/05/24 CHK'D: RSTONE 2022/04/11 APPR: BWOODMAN 2022/04/16 INITIAL REVISION: DRWN: BWOODMAN 2009/03/30 APPR: JFMURPHY 2009/04/08	
	MINI-CHANGE CORDSET, A-SIZE 3-POLE, MALE-FEMALE, STRAIGHT, SINGLE KEY, #16 AWG		
	PRODUCT CUSTOMER DRAWING DOCUMENT NUMBER: SD-130010-002 DOC TYPE/DOC PART/REVISION: PSD 001 E		
	MATERIAL NUMBER: SEE CHART CUSTOMER: GENERAL MARKET SHEET NUMBER: 1 OF 1		