

MATERIALS AND FINISHES:

BODY: ZINC ALLOY
PLATED NICKEL

CENTER CONTACT: PHOSPHOR BRONZE
PLATED GOLD

INSULATOR: POLYPROPYLENE (94V-2)

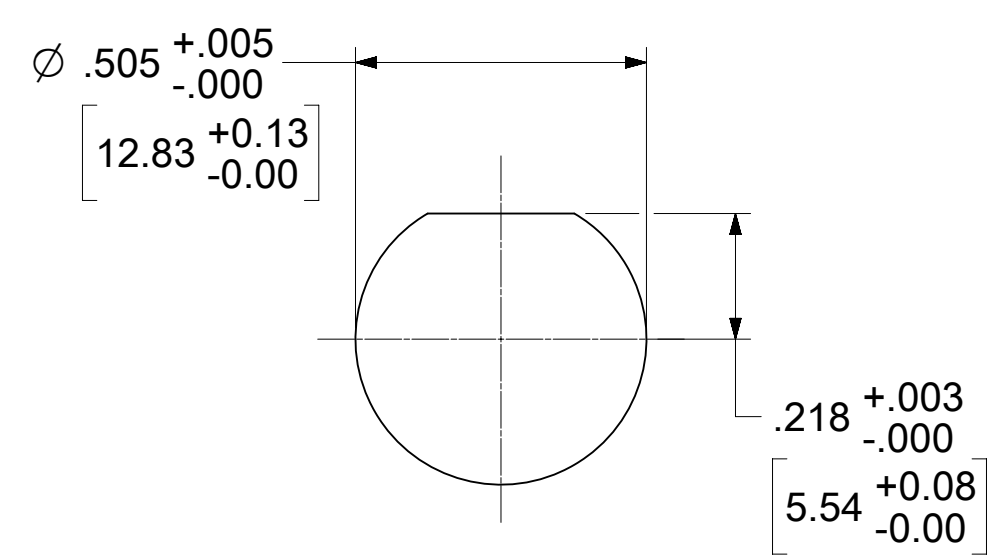
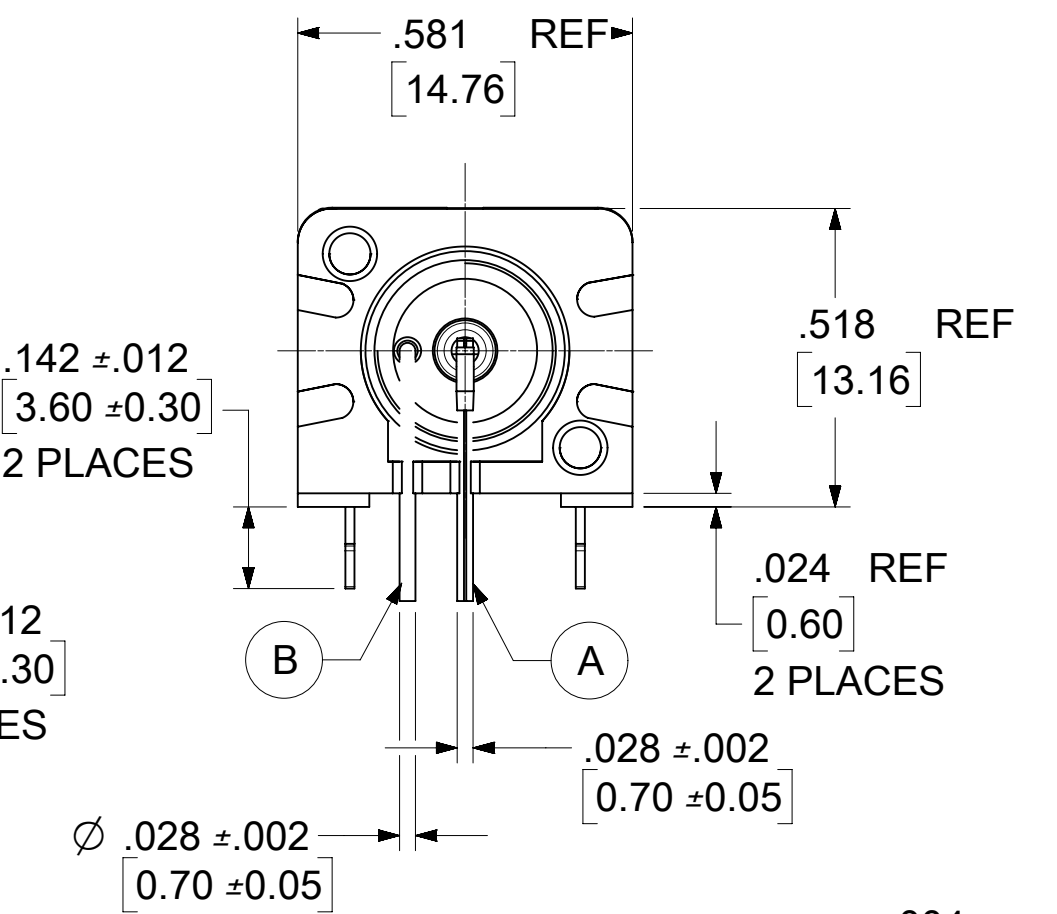
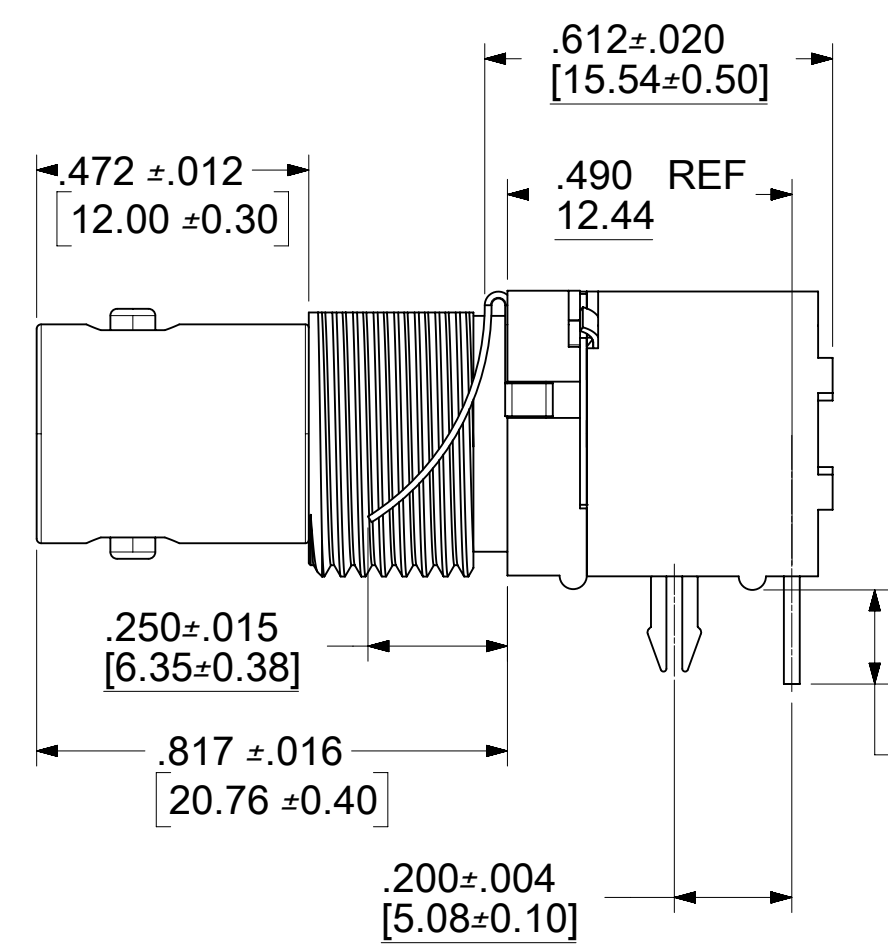
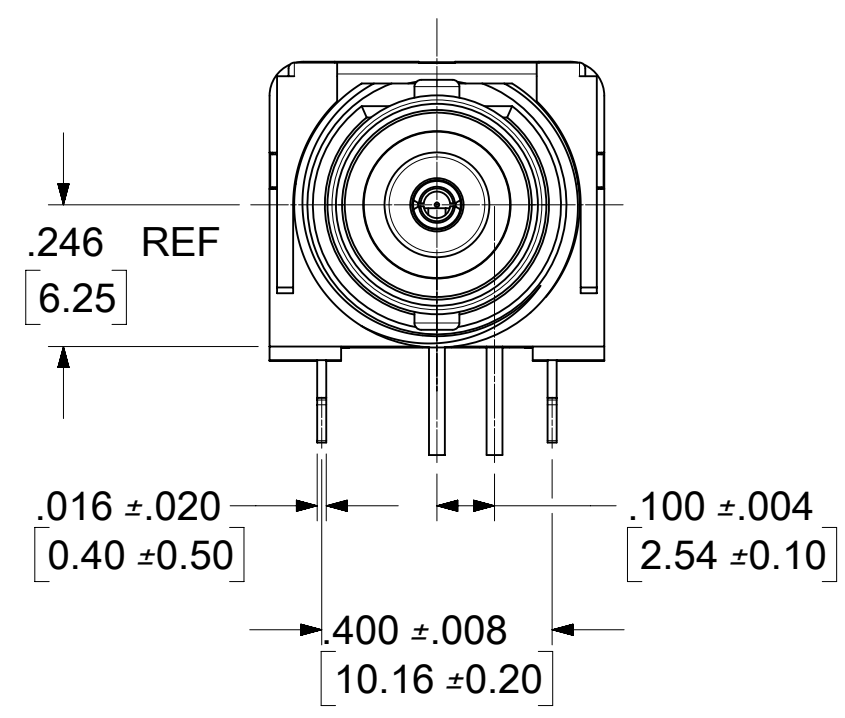
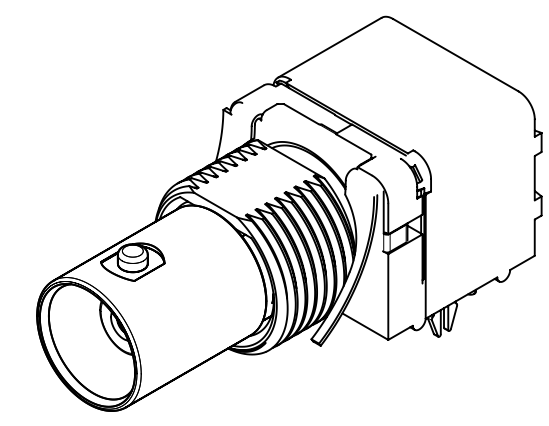
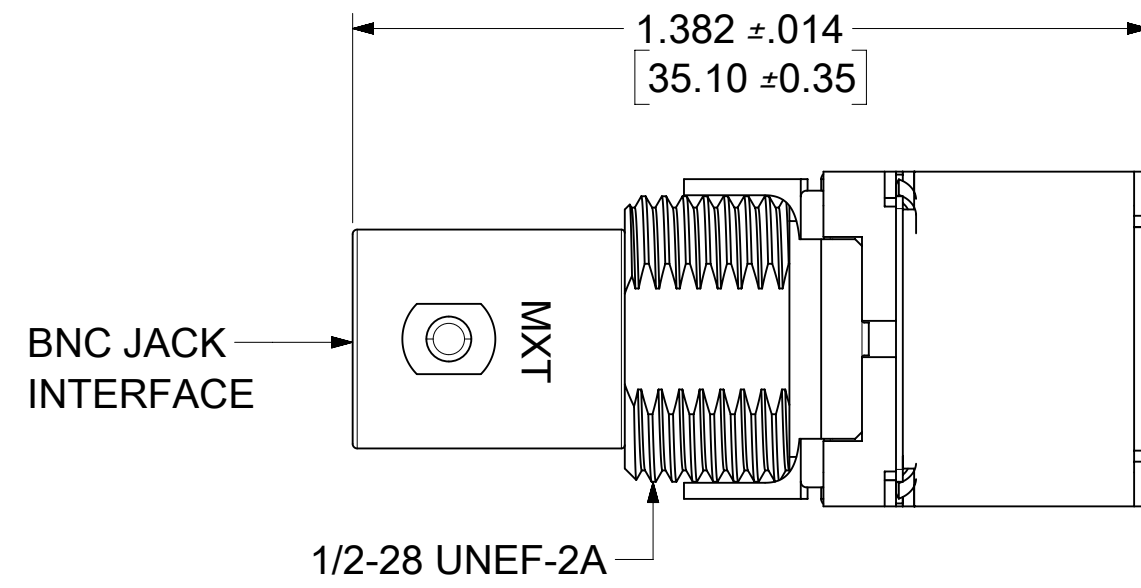
HOUSING: PBT BLACK

SOLDER TAIL: COPPER OVER STEEL WIRE
PLATED TIN

FRONT CLIP: PHOSPHOR BRONZE
PLATED NICKEL

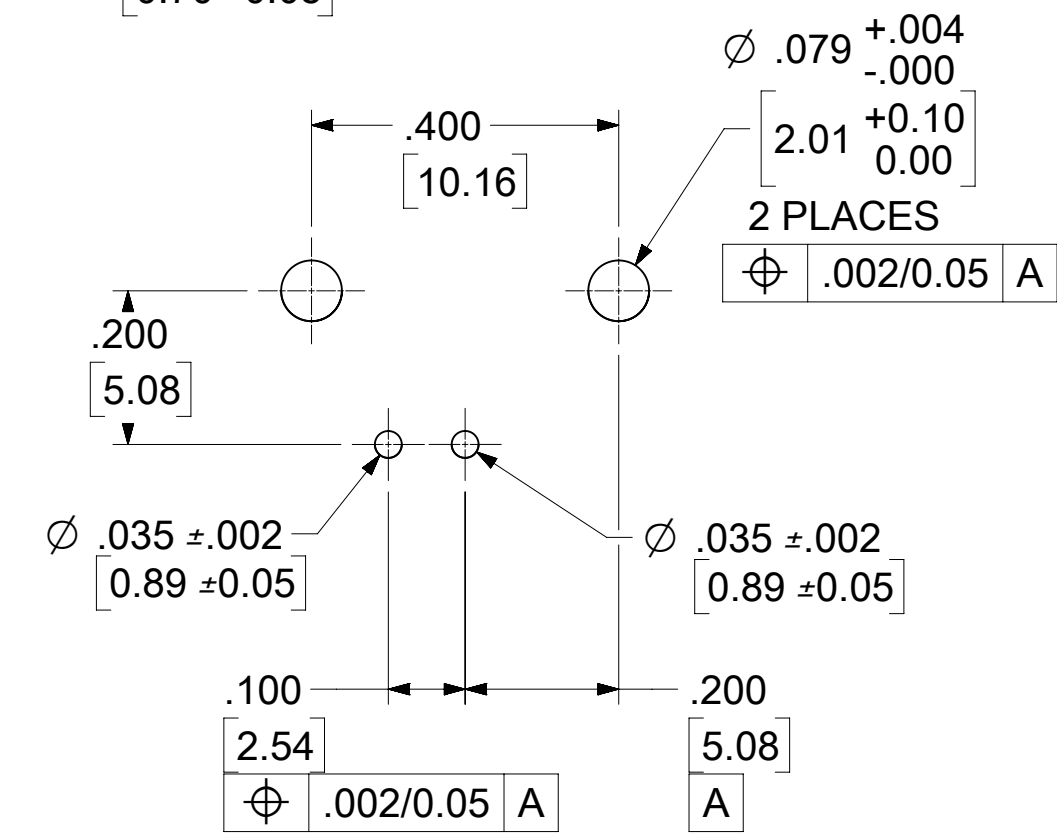
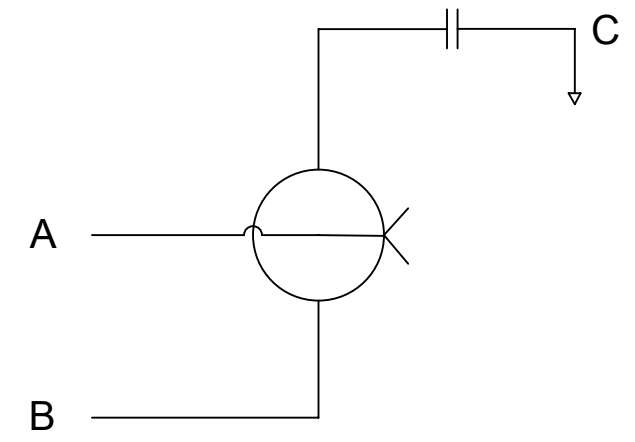
MULTILAYER CHIP CAPACITOR: CERAMIC

BOARD CLIP: PHOSPHOR BRONZE
PLATED TIN



RECOMMENDED MOUNTING HOLE
RECOMMENDED MOUNTING TORQUE:
0.56 N-m(5.00 IN-LBS)
PANEL THICKNESS: .217 (5.5) MAX

1.5K / 2K VDC 9400pF ±20% X7R



RECOMMENDED PCB LAYOUT

| | |
|------------|------------------------|
| 73171-3030 | 73100-0090 ONE PER BAG |
| 73100-0090 | TRAY |
| PART NO. | PACKAGING |

| | |
|---------------|-----------------------|
| ES-73599-0000 | INTERFACE |
| PS-73598-0010 | ELEC/MECH PERFORMANCE |
| SPECIFICATION | DESCRIPTION |

| | | |
|-----|-----------|--|
| F4 | 2019/3/27 | REDRAW FOR MEASUREMENT .490/12.44 REF |
| F3 | 2019/2/27 | ADD CHIP CAPACITOR DEFINITION PER EWR #12915-A |
| REV | DATE | DESCRIPTION |

| | | | | |
|-----------------|----|--------------|------------|----------|
| DOCUMENT STATUS | P1 | RELEASE DATE | 2019/03/27 | 08:37:19 |
|-----------------|----|--------------|------------|----------|

THIS DRAWING CONTAINS INFORMATION THAT IS PROPRIETARY TO MOLEX ELECTRONIC TECHNOLOGIES, LLC AND SHOULD NOT BE USED WITHOUT WRITTEN PERMISSION

| | | | |
|--|------------------------|-------------------|-------------------|
| DIMENSION UNITS | SCALE | CURRENT REV | DESC: |
| HYBRID | NTS | | |
| GENERAL TOLERANCES (UNLESS SPECIFIED) | | | |
| ANGULAR TOL | ± 2.0° | EC NO: | 614537 |
| 4 PLACES | ± | DRWN: | RYEH 2019/03/27 |
| 3 PLACES | ± | CHK'D: | YCHENG 2019/03/27 |
| 2 PLACES | ± | APPR: | YCHENG 2019/03/27 |
| 1 PLACE | ± | INITIAL REVISION: | |
| 0 PLACES | ± | DRWN: | CLLI 2004/10/04 |
| | | APPR: | MHUANG 2004/10/06 |
| DRAFT WHERE APPLICABLE MUST REMAIN WITHIN DIMENSIONS | THIRD ANGLE PROJECTION | DRAWING | SERIES |
| | | C-SIZE | 73100 |
| MATERIAL NUMBER | | CUSTOMER | SHEET NUMBER |
| SEE TABLE | | GENERAL MARKET | 1 OF 1 |

molex

BNC JACK, R/A RECEPTACLE
50 OHMS FILTER BNC-J/PCB/RA/BK

PRODUCT CUSTOMER DRAWING

| | | | |
|-----------------|----------|----------|----------|
| DOCUMENT NUMBER | DOC TYPE | DOC PART | REVISION |
| SD-73100-0090 | PSD | 001 | F4 |