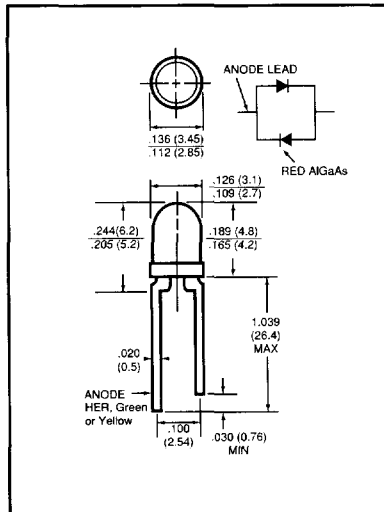


#### T-100 Bicolor / Bipolar LED Lamp

Part Number	Source Color	Wave-length $\lambda_p$ (nm)	Lens Color	Typical Viewing Angle	Forward Voltage $V_F$ (V)		Luminous Intensity $I_V$ (mcd)		Notes
					typ	max	min	typ	
MV6363T	Yellow	585	Yellow Diffused	70°	2.0	2.8	1.1	4.5	4
	Yellow	585			2.0	2.8	1.1	4.5	4
MV6366T	Yellow	585	White Diffused	70°	2.0	2.8	1.1	4.5	4
		635			2.0	2.8	1.1	4.5	4
MV6463T	Yellow	565	White Diffused	70°	2.1	2.8	1.1	4.5	4
		585			2.0	2.8	1.1	15.0	4
MV6464T	Green	565	Green Diffused	70°	2.1	2.8	1.1	4.5	4
		565			2.1	2.8	1.1	4.5	4
MV6466T	Green	565	White Diffused	70°	2.1	2.8	1.1	4.5	4
		635			2.1	2.8	1.1	4.5	4
MV6666T	Red	635	Red Diffused	70°	2.0	2.8	1.1	4.5	4
		635			2.0	2.8	1.1	4.5	4

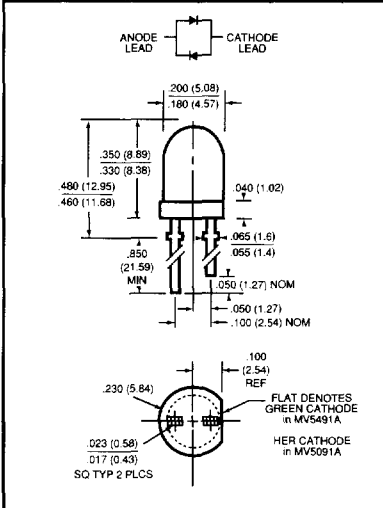


#### T-100 Bicolor

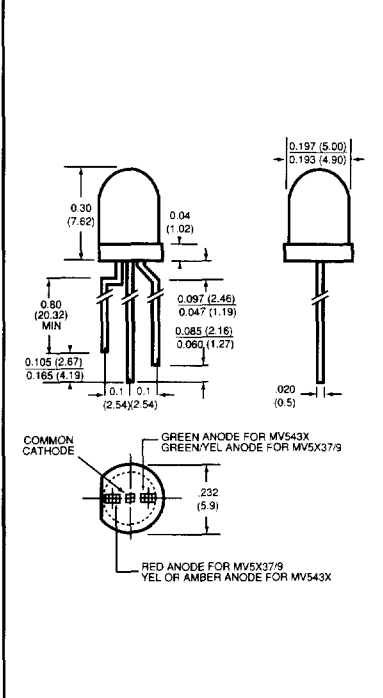
Part Number	Source Color	Wave-length $\lambda_p$ (nm)	Lens Color	Typical Viewing Angle	Forward Voltage $V_F$ (V)		Luminous Intensity $I_V$ (mcd)		Notes
					typ	max	min	typ	
MV6661A	Red	635	Red Diffused	100°	2.1	3.0	2.5	10	4
		660			2.1	3.0	2.5	10	4
MV6461A	White	565	White Diffused	100°	2.1	3.0	2.5	10	4
		660			2.1	3.0	2.5	10	4
MV6361A	Yellow	585	White Diffused	100°	2.1	3.0	2.5	10	4
		660			2.1	3.0	2.5	10	4

## MULTICOLOR & BIPOLAR LED LAMPS

T-1 3/4 Bipolar										
Part Number	Source Color	Wave-length $\lambda_p$ (nm)	Lens Color	Typical Viewing Angle	Forward Voltage $V_F$ (V)		Luminous Intensity $I_V$ (mcd)		Notes	
					typ	max	min	typ		
MV5094A		660	Red Diffused	75°	2.3	3.0	2.0	6.0	4	
		635								
MV5491A		660	White Diffused	100°	2.3	3.0	2.0	6.0	4	
		565								



T-1 3/4 Bicolor 3 - Lead, Common Cathode LED Lamp										
Part Number	Source Color	Wave-length $\lambda_p$ (nm)	Lens Color	Typical Viewing Angle	Forward Voltage $V_F$ (V)		Luminous Intensity $I_V$ (mcd)		Notes	
					typ	max	min	typ		
MV5337	Yellow	585	White Diffused	100°	2.1	3.0	2.0	6.0	4	
		635								
MV5433	Yellow	565	White Diffused	100°	2.3	3.0	2.0	6.0	4	
		585								
MV5437		565	White Diffused	100°	2.1	3.0	2.0	6.0	4	
		635								
MV5438		565	White Diffused	100°	2.3	3.0	2.0	6.0	4	
		610								
MV5439		565	White Diffused	100°	2.3	3.0	2.0	6.0	4	
		660								

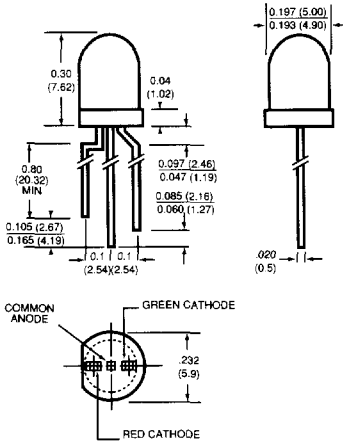


**Notes:**

- 4.  $V_F$  &  $I_V$  @  $I_F = 20$  mA.
- HER = High Efficiency Red.

## MULTICOLOR & BIPOLAR LED LAMPS

T-1 3/4 Bicolor 3 - lead, Common Anode LED Lamp										
Part Number	Source Color	Wave-length $\lambda_p$ (nm)	Lens Color	Typical Viewing Angle	Forward Voltage $V_F$ (V)		Luminous Intensity $I_V$ (mcd)		Notes	
					typ	max	min	typ		
MV5439A	[Black]	565	White Diffused	100°	2.3	3.0	2.0	6.0	4	
		660			1.7	2.4	10	25	4	



Rectangular Bicolor 3 - lead, Common Cathode LED Lamp										
Part Number	Source Color	Wave-length $\lambda_p$ (nm)	Lens Color	Typical Viewing Angle	Forward Voltage $V_F$ (V)		Luminous Intensity $I_V$ (mcd)		Notes	
					typ	max	min	typ		
MV5433RA	[Black]	565	White Diffused	100°	2.1	2.8	1.0	2.0	4	
		Yellow			585	2.2	3.0	1.0	2.0	4
MV5437RA	[Black]	565	White Diffused	100°	2.1	2.8	1.0	2.0	4	
		635			2.2	2.8	1.0	3.5	4	

