

# MCR-C-I-I-40-DC - Signal conditioner



2814524

<https://www.phoenixcontact.com/us/products/2814524>

Please be informed that the data shown in this PDF document is generated from our online catalog. Please find the complete data in the user documentation. Our general terms of use for downloads are valid.



MCR 3-way isolating amplifier, for electrical isolation of analog signals, input signal: 4 mA ... 20 mA, output signal: 0 mA ... 20 mA

## Your advantages

- 3-way isolation
- Fixed setting of input and output signals
- Processing of standard signals

## Commercial data

Item number	2814524
Packing unit	1 pc
Minimum order quantity	1 pc
Note	Made to order (non-returnable)
Sales key	NULL
Product key	CK1811
Catalog page	Page 408 (IF-2011)
GTIN	4017918156213
Weight per piece (including packing)	89.22 g
Weight per piece (excluding packing)	82.02 g
Customs tariff number	85437090
Country of origin	DE

# MCR-C-I-I-40-DC - Signal conditioner



2814524

<https://www.phoenixcontact.com/us/products/2814524>

## Technical data

### Notes

#### Utilization restriction

EMC note	EMC: class A product, see manufacturer's declaration in the download area
----------	---

### Product properties

Product type	Signal conditioner
No. of channels	1

### Electrical properties

No. of channels	1
Limit frequency (3 dB)	30 Hz
Test voltage, input/output/supply	1.5 kV AC (50 Hz, 60 s)
Protective circuit	Transient protection
Step response (10-90%)	11 ms
Maximum temperature coefficient	< 0.015 %/K
Maximum transmission error	≤ 0.3 % (of final value)
Transmission error, typical	< 0.2 % (of final value)

#### Supply

Supply voltage range	20 V DC ... 30 V DC
Typical current consumption	< 15 mA (without load)

### Input data

#### Signal

Description of the input	Current input
Configurable/programmable	no
Current input signal	4 mA ... 20 mA
Max. current input signal	50 mA
Input resistance current input	50 Ω

### Output data

#### Signal: Current output

Configurable/programmable	no
Current output signal	0 mA ... 20 mA
Max. current output signal	30 mA
Load/output load current output	≤ 500 Ω
Linear transmission range (in reference to the output range end value)	-5 % ... 105 %

### Connection data

# MCR-C-I-I-40-DC - Signal conditioner



2814524

<https://www.phoenixcontact.com/us/products/2814524>

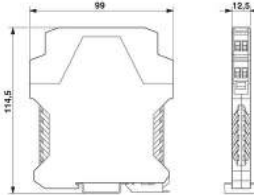
Connection method	Pluggable screw connection
Stripping length	8 mm
Screw thread	M3
Conductor cross section rigid	0.2 mm <sup>2</sup> ... 2.5 mm <sup>2</sup>
Conductor cross section flexible	0.2 mm <sup>2</sup> ... 2.5 mm <sup>2</sup>
Conductor cross section AWG	24 ... 14

## Interfaces

Data communication (bypass)

Limit frequency (3 dB)	30 Hz
------------------------	-------

## Dimensions

Dimensional drawing	
Width	12.5 mm
Height	99 mm
Depth	114.5 mm

## Material specifications

Housing material	Polyamide PA non-reinforced
------------------	-----------------------------

## Environmental and real-life conditions

Ambient conditions

Ambient temperature (operation)	-25 °C ... 60 °C
---------------------------------	------------------

## Approvals

CE

Certificate	CE-compliant
-------------	--------------

## Mounting

Mounting position	any
-------------------	-----

# MCR-C-I-I-40-DC - Signal conditioner



2814524

<https://www.phoenixcontact.com/us/products/2814524>

## Classifications

### ECLASS

ECLASS-11.0

27210120

Phoenix Contact 2023 © - all rights reserved

<https://www.phoenixcontact.com>

Phoenix Contact USA

586 Fulling Mill Road

Middletown, PA 17057, United States

(+717) 944-1300

[info@phoenixcon.com](mailto:info@phoenixcon.com)