

SACC-M15X1-EMV-NUT-SH - EMC nut



1104648

<https://www.phoenixcontact.com/us/products/1104648>

Please be informed that the data shown in this PDF document is generated from our online catalog. Please find the complete data in the user documentation. Our general terms of use for downloads are valid.

M15 EMC nut required for shield contact with coated housing surfaces.



Product description

M15 EMC nut required for shield contact with coated housing surfaces.

Commercial data

Item number	1104648
Packing unit	1 pc
Minimum order quantity	10 pc
Sales key	AB28
Product key	ABQZBB
GTIN	4055626972039
Weight per piece (including packing)	2.07 g
Weight per piece (excluding packing)	2 g
Customs tariff number	74153300
Country of origin	DE

SACC-M15X1-EMV-NUT-SH - EMC nut



1104648

<https://www.phoenixcontact.com/us/products/1104648>

Technical data

Product properties

Product type	EMC nut
--------------	---------

Mounting

Mounting type	Threads M15 x 1
---------------	-----------------

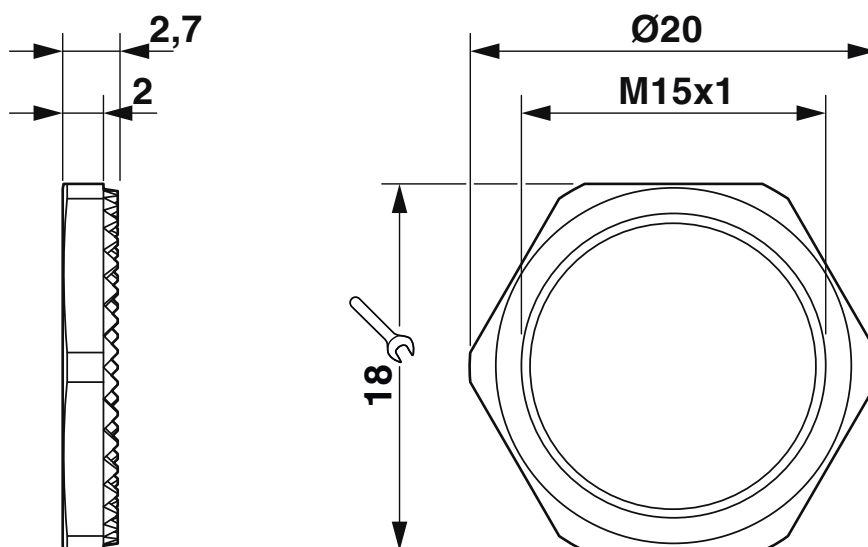
SACC-M15X1-EMV-NUT-SH - EMC nut

1104648

<https://www.phoenixcontact.com/us/products/1104648>

Drawings

Dimensional drawing



SACC-M15X1-EMV-NUT-SH - EMC nut



1104648

<https://www.phoenixcontact.com/us/products/1104648>

Classifications

ECLASS

ECLASS-11.0	27440210
ECLASS-12.0	27440210
ECLASS-13.0	27440210

ETIM

ETIM 8.0	EC002310
----------	----------

UNSPSC

UNSPSC 21.0	39121400
-------------	----------

SACC-M15X1-EMV-NUT-SH - EMC nut



1104648

<https://www.phoenixcontact.com/us/products/1104648>

Environmental product compliance

China RoHS	Environmentally friendly use period: unlimited = EFUP-e No hazardous substances above threshold values
------------	---

Phoenix Contact 2023 © - all rights reserved
<https://www.phoenixcontact.com>

Phoenix Contact USA
586 Fulling Mill Road
Middletown, PA 17057, United States
(+717) 944-1300
info@phoenixcon.com