

REV. Status

ISSUE 2  
REVISED AND  
REDRAWN ON  
CAD/CAM  
3/31/92 TS

ISSUE 3  
TEMECULA  
WAS CARSON  
ADDED T9320  
ADDED SAFETY  
7/26/95 TS

ISSUE 4  
REVISED DIM  
30.5(1.20)MAX  
WAS  
31.8(1.25)MAX  
02/01/96 TS

A. Electrical Specifications (@ 25 ° C)

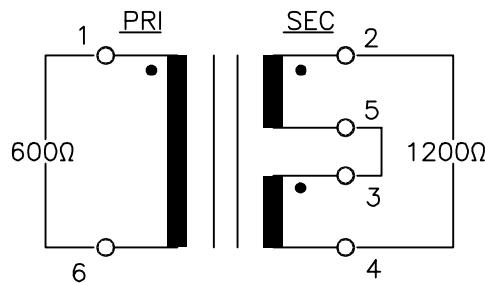
1. Pri Source Impedance; 600 Ω
2. Sec Load Impedance; 600 Ω /600 Ω
3. Pri DC Unbalance Current; 50 mA
4. Operating Level; -45 dBm to +10 dBm
5. Insertion Loss;
  - 1.6 dB MAX @ 1.0 KHz 0 dBm and DC50mA
6. Frequency Response (relative to 1.0 KHz)
  - +0.3dB -0.7dB @ 500 to 3500 Hz 0 dBm and DC50mA
  - +0.3dB -1.6dB @ 300 to 3500 Hz 0 dBm and DC50mA
7. Pri Impedance; 600 Ω ±10% @ 500 Hz 0 dBm and DC50mA
8. Pri Return Loss; 14 dB MIN @ 1.0 KHz 0 dBm and DC50mA
9. Longitudinal Balance; 60 dB MIN @ 200 to 1000 Hz  
40 dB MIN @ 4000 Hz
10. Total Harmonic Distortion; 0.5% MAX @ 300 to 3500 Hz 0 dBm and DC50mA
11. DC Resistance;
  - (1-6) = 75 Ω ±10%
  - (2-4) = 170 Ω ±10% (3 and 5 shorted)
12. Turns Ratio; (1-6) : (2-4) = 1 : 1.41 ±2% (3 and 5 shorted)  
(2-5) : (3-4) = 1 : 1.00 ±1%
13. Dielectric Strength;
  - 1500 Vrms 1 minute @ Pri to Sec, Pri to Core
  - 200 DC 1 minute @ Sec to Sec



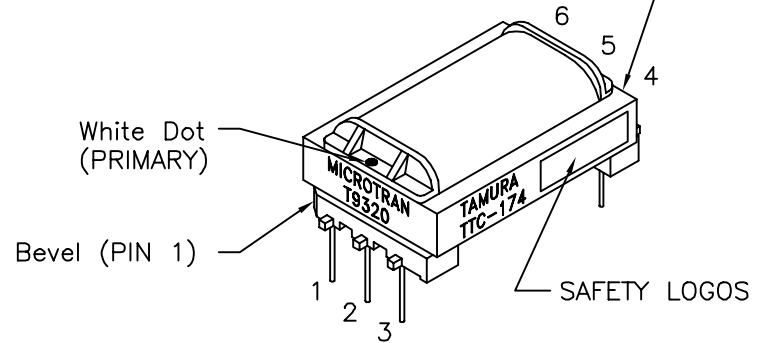
MODEL NUMBER  
**TTC-174**

- B. Marking; TTC-174, TAMURA, T9320, MICROTRAN, date code and country of origin  
 C. Safety; CSA 22.2 No. 66-M1988, File No. LR81383  
 UL1863 File No. E142035

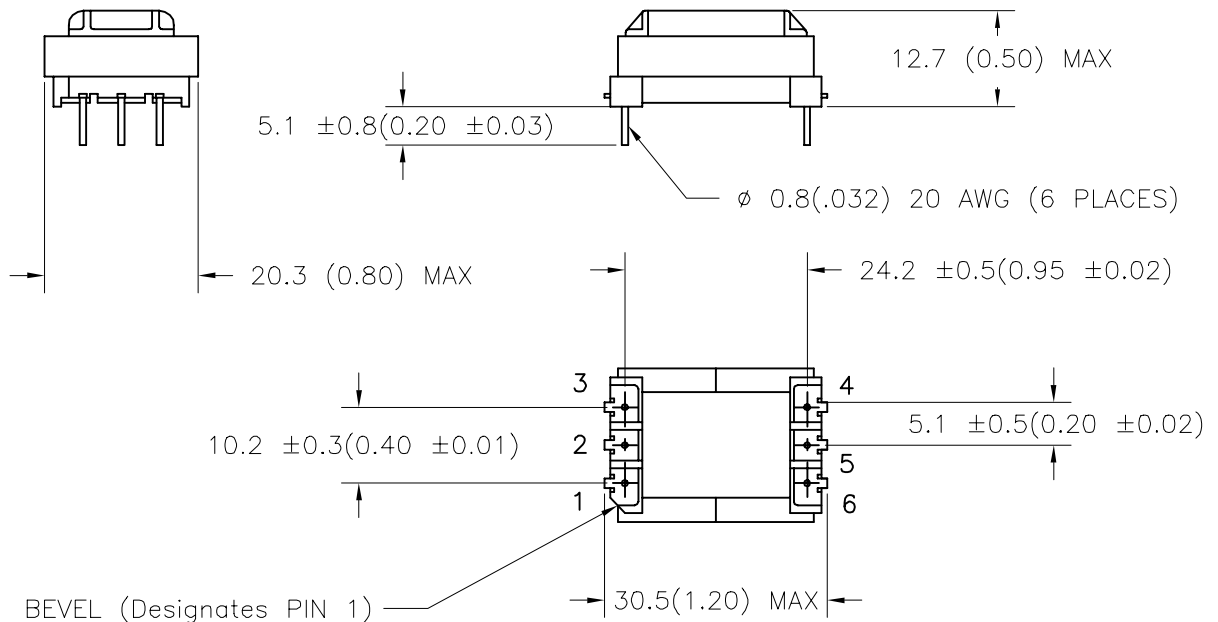
D. Schematic Diagram



Date code and country of origin



E. Mechanical Specifications



TOLERANCES (mm)

≤ 4 ± 0.2
4 ≤ 20 ± 0.3
20 ≤ 50 ± 0.4

PREPARED BY:

K. Brennan

ENGINEER:

T. Shiozawa

QUALITY CONTROL:

V. Casey

APPROVED:

V. Casey

DWG CONTROL NO.  
P-A1-10046  
ACAD\TTC\A1100461.DWG

REV  
C

HYBRID  
TRANSFORMER  
**TAMURA CORPORATION OF AMERICA**  
43352 BUSINESS PARK DRIVE, TEMECULA, CA. 92590-6624  
(909) 699-1270 FAX 9096769482

**TTC-174**  
MODEL SPECIFICATION  
DIM: mm(In) SCL: NONE SH: 1 OF 1

PROPRIETARY NOTICE: THIS DRAWING PRINT OR DOCUMENT AND SUBJECT MATTER DISCLOSED HEREIN ARE PROPRIETARY ITEMS TO WHICH TAMURA RETAINS THE EXCLUSIVE RIGHT OF DISSEMINATION, REPRODUCTION, MANUFACTURE AND SALE. THIS DRAWING, PRINT OR DOCUMENT IS SUBMITTED IN CONFIDENCE FOR CONSIDERATION BY THE RECIPIENT ALONE UNLESS PERMISSION FOR FURTHER DISCLOSURE IS EXPRESSLY GRANTED IN WRITING.