



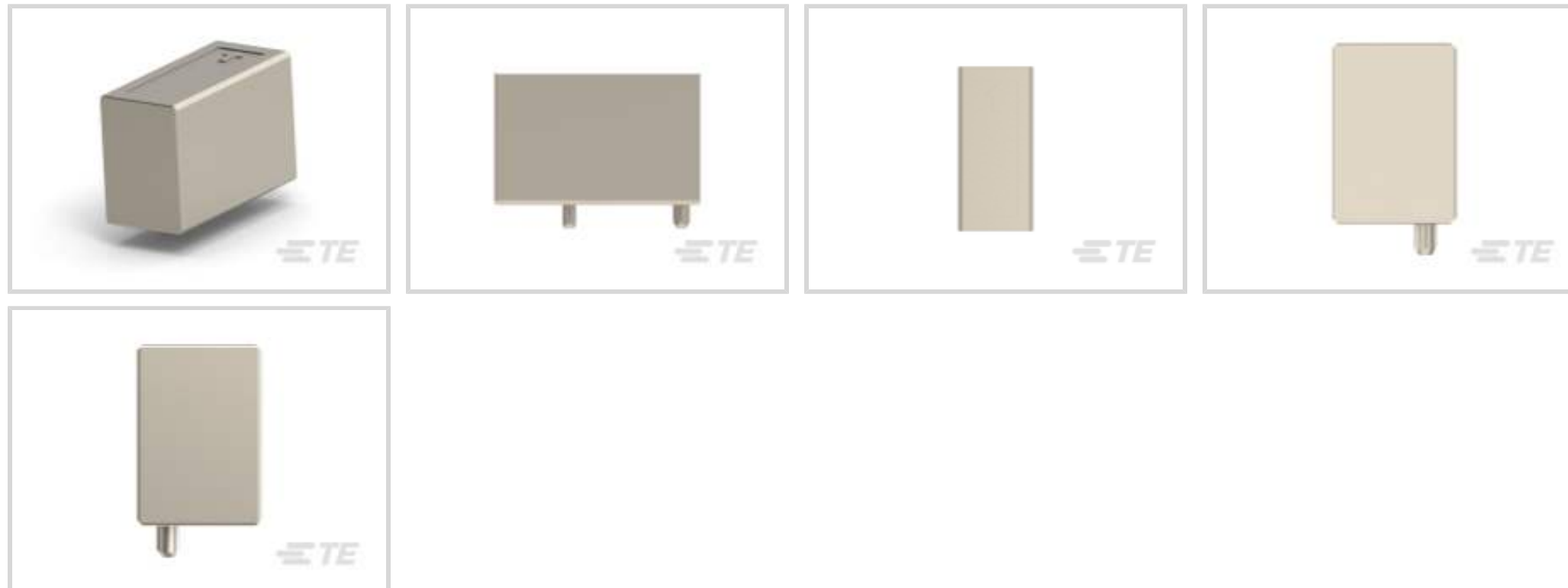
ATCA

TE Internal #: 9-1469373-9

Backplane Guide Hardware, Guide Socket Module, ATCA

[View on TE.com >](#)

Connectors > PCB Connectors > Backplane Connectors > Backplane Guide Hardware



Connector Guide Hardware Type: **Guide Socket Module**

Backplane Guide Location: **Front Board**

Features

Product Type Features

ATCA Module Code	K1/K2
Connector Guide Hardware Type	Guide Socket Module

Configuration Features

PCB Mount Orientation	Right Angle
Backplane Guide Location	Front Board

Body Features

Guide Component Plating Material	Nickel
Guide Component Base Material	Zinc Alloy

Contact Features

Contact Mating Area Plating Material	Nickel
--------------------------------------	--------

Packaging Features

Packaging Quantity	1
Packaging Method	Package

Other

Connector Accessory Comment	Hardware not supplied.
-----------------------------	------------------------

Product Compliance



[For compliance documentation, visit the product page on TE.com>](#)

EU RoHS Directive 2011/65/EU	Compliant
EU ELV Directive 2000/53/EC	Compliant
China RoHS 2 Directive MIIT Order No 32, 2016	No Restricted Materials Above Threshold
EU REACH Regulation (EC) No. 1907/2006	Current ECHA Candidate List: JUNE 2023 (235) Candidate List Declared Against: JUNE 2023 (235) Does not contain REACH SVHC
Halogen Content	Low Halogen - Br, Cl, F, I < 900 ppm per homogenous material. Also BFR/CFR/PVC Free
Solder Process Capability	Not applicable for solder process capability

Product Compliance Disclaimer

This information is provided based on reasonable inquiry of our suppliers and represents our current actual knowledge based on the information they provided. This information is subject to change. The part numbers that TE has identified as EU RoHS compliant have a maximum concentration of 0.1% by weight in homogenous materials for lead, hexavalent chromium, mercury, PBB, PBDE, DBP, BBP, DEHP, DIBP, and 0.01% for cadmium, or qualify for an exemption to these limits as defined in the Annexes of Directive 2011/65/EU (RoHS2). Finished electrical and electronic equipment products will be CE marked as required by Directive 2011/65/EU. Components may not be CE marked. Additionally, the part numbers that TE has identified as EU ELV compliant have a maximum concentration of 0.1% by weight in homogenous materials for lead, hexavalent chromium, and mercury, and 0.01% for cadmium, or qualify for an exemption to these limits as defined in the Annexes of Directive 2000/53/EC (ELV). Regarding the REACH Regulation, the information TE provides on SVHC in articles for this part number is based on the latest European Chemicals Agency (ECHA) 'Guidance on requirements for substances in articles' posted at this URL: <https://echa.europa.eu/guidance-documents/guidance-on-reach>

Compatible Parts



Also in the Series | [ATCA](#)



Backplane Guide Hardware(4)



Rectangular Power Connectors(1)

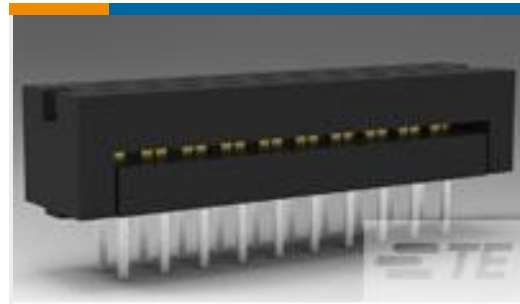
Customers Also Bought



TE Part #2-644486-4
04P MTA100 SHRDED HDR ASSY SN



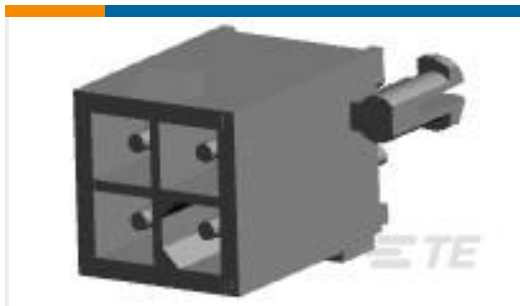
TE Part #1-1469387-1
ATCA GUIDE MODULE VERT SHORT



TE Part #1-746610-7
30 DIP PLUG, 100CL, LEAD FREE



TE Part #2065769-1
Zd Plus 2 pair receptacle assy



TE Part #1-770174-1
04P MINI UMNL ASSY VO SNAU LF



TE Part #2170328-1
HMZD+, 2PAIRS, 10COLS, VERTICAL, ASSEMBLY



TE Part #120957-2
UPM EXPANDED PIN ASSEMBLY



TE Part #02350503-000
GA-HD GCA-121-1000 ASSY



TE Part #1-1469373-1
ATCA GUIDE MODULE RA FEMALE



TE Part #4-1393248-6
W33-T4B1Q-5=W33

Documents

Product Drawings

[ATCA GUIDE MODULE RA FEMALE](#)

English

CAD Files

[Customer View Model](#)

[ENG_CVM_CVM_9-1469373-9_E.2d_dxf.zip](#)

English

[3D PDF](#)



3D

Customer View Model

[ENG_CVM_CVM_9-1469373-9_E.3d_igs.zip](#)

English

Customer View Model

[ENG_CVM_CVM_9-1469373-9_E.3d_stp.zip](#)

English

By downloading the CAD file I accept and agree to the [Terms and Conditions](#) of use.

Datasheets & Catalog Pages

[High Speed Backplane Connectors catalog - Z-PACK HM-Zd Connector](#)

English

[The Complete Solution for AdvancedTCA](#)

English

[Solutions for AdvancedTCA, AdvancedTCA 300, MicroTCA, and AdvancedMC Standards Datasheet 3-1773445-8](#)

English

Product Specifications

[Application Specification](#)

English