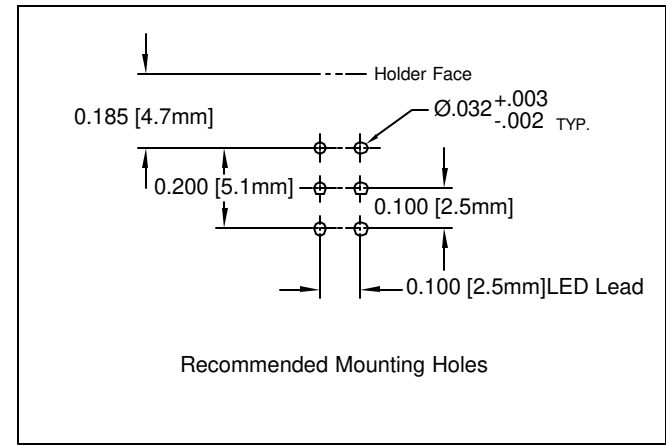
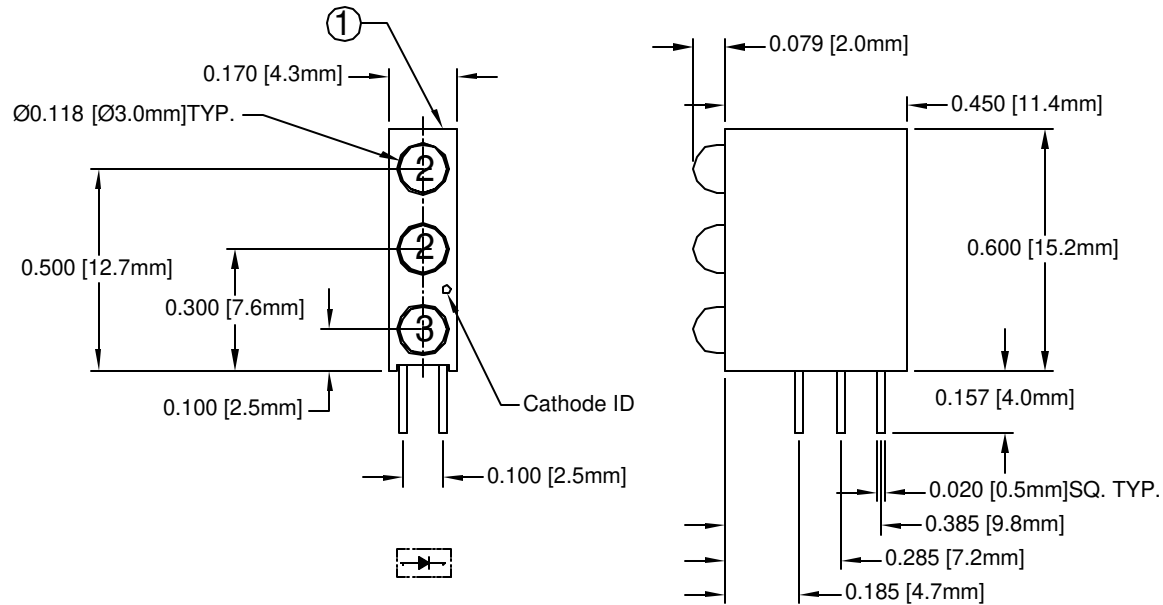


ITEM	QTY	PART NUMBER	PART DESCRIPTION
1	1	H-311C	T-1 (3mm) Tri-Level LED Holder
2	2	3ADL-201	T-1 (3mm) N-Flange LED
3	1	3GDL-201	T-1 (3mm) N-Flange LED

REV.	DESCRIPTION	DATE	APPROVED
A	Engineering Release.	09/22/05	M. C.
B	Update LED to Extended Profile	11/14/06	M. C.



LED Part No.	Chip			Lens Appearance	Absolute Maximum Ratings				Electro-Optical Data @ 2mA			Viewing Angle (Deg)
	Material	Peak Wave Length λp(nm)	Emitted Color		Δλ (nm)	Pd (mW)	If (mA)	Peak If (mA)	Vf (V)		Iv (mcd)	
									Typ.	Max.	Typ.	
3ADL-201	GaAsP/GaP	610	AMBER	DIFFUSED	35	10	5	-	1.9	2.2	6	45
3GDL-201	GaP/GaP	565	GREEN	DIFFUSED	30	10	5	-	1.9	2.2	6	45

ABSOLUTE MAXIMUM RATINGS (Ta = 25°C)

REVERSE VOLTAGE _____ 5V
 REVERSE CURRENT (VR=5V) _____ 100µA
 OPERATING TEMPERATURE RANGE _____ -25°C ~ 85°C
 STORAGE TEMPERATURE _____ -30°C ~ 100°C
 LEAD SOLDERING TEMPERATURE (1/16" FROM BODY) _____ 260°C for 5 Seconds

STANDARD TOLERANCE (UNLESS OTHERWISE SPECIFIED)		 BIVAR [®] 4 THOMAS, IRVINE, CA. 92618 TEL: (949) 951-8808 FAX: (949) 951-3974
DECIMALS	ANGULAR	
.X ±.1	X° ±1°	
.XX ±.02		 TITLE: T-1 (3mm) Tri-Level LED Holder
.XXX ±.010		
DESIGNED: Sonny Dam	DATE: 09/22/05	PART NO: H310CAAGDL
CHECKED: T. Yin	DATE: 09/22/05	REVISION: B
		CAGE CODE : 32559 SHEET # 1 OF 1
CAD GENERATED DOCUMENT. DO NOT MEASURE DRAWING.		