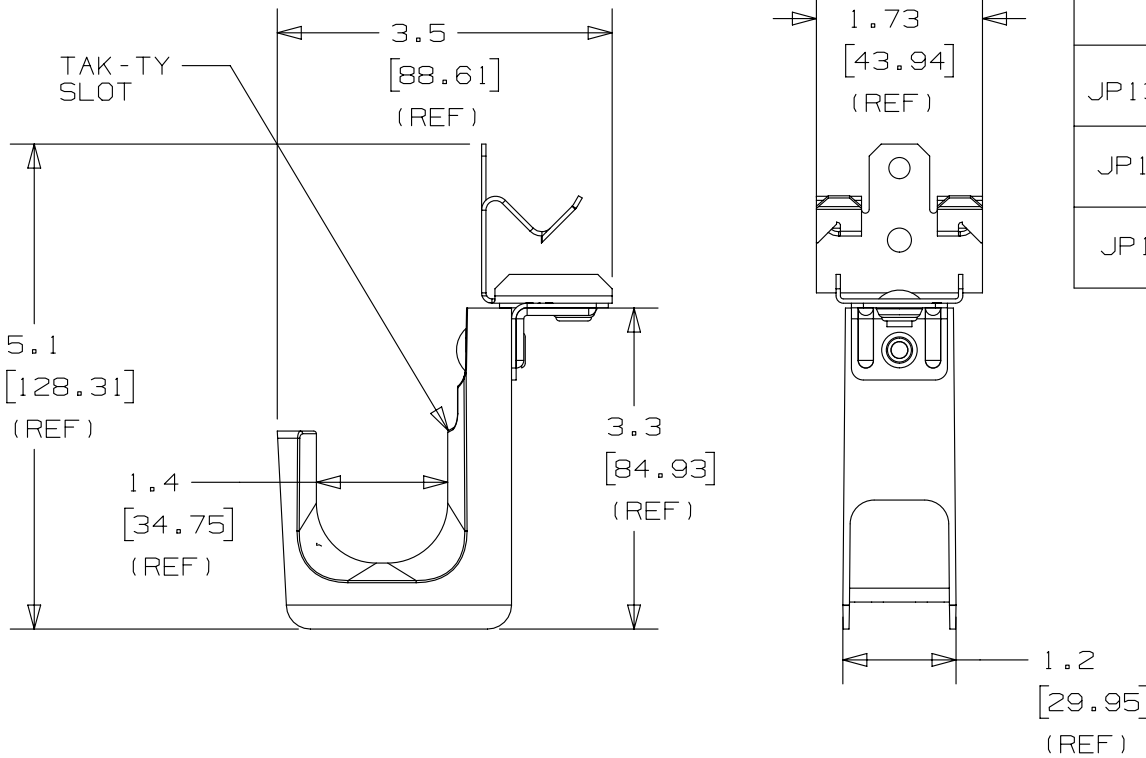
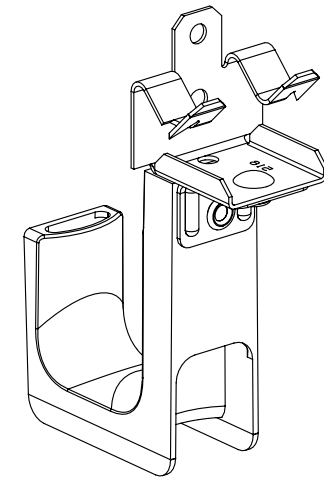


THIS COPY IS PROVIDED ON A RESTRICTED BASIS AND IS NOT TO BE USED IN ANY WAY DETRIMENTAL TO THE INTERESTS OF PANDUIT CORP.



PANDUIT PART NO.	FLANGE THICKNESS	WEIGHT 10pcs lbs (g)
JP131HBC25RB---	0.125 - 0.25 (3.18 - 6.35)	1.64 (743)
JP131HBC50RB---	0.3125 - 0.50 (7.94 - 12.7)	
JP131HBC75RB---	0.5625 - 0.75 (14.29 - 19.05)	



- NOTES:
- SEE CURRENT PRICE SHEET FOR PART NUMBER SUFFIX DESIGNATION FOR PACKAGE SIZE AND PRODUCT COLOR.
 - HOOK MATERIAL: NYLON 6/6
ANGLE BRACKET MATERIAL: PRE-GALVANIZED STEEL
RIVET MATERIAL: ALUMINUM
CLAMP MATERIAL: SPRING STEEL
 - PRODUCT IS DESIGNED TO SUPPORT A MAXIMUM OF 1 5/16" (33.34) DIAMETER BUNDLE. MAXIMUM RECOMMENDED STATIC LOAD: 25 lbs.
 - PRODUCT INCORPORATES FEATURES ALLOWING USER TO RETAIN CABLE BUNDLES IN J-PRO J-HOOK WITH TAK-TY CABLE TIES UP TO 3/4" WIDE.
 - PRODUCT MARKINGS:
cULus logo and statement:
"SUITABLE FOR USE IN AIR HANDLING SPACES IN ACCORDANCE WITH SECTION 300-22 (C) & (D) OF THE NATIONAL ELECTRIC CODE."
ULC logo and statement:
"IN ACCORDANCE WITH CAN/ULC S-102.2-10 IN SINGLE UNITS OR PAIRS, 4 ft (1220mm) MIN. SPACING, FSR=0, SDC=35."

TITLE J-PRO J-HOOK WITH 360° HAMMER-ON BEAM CLAMP (JP131HBC__RB___) CUSTOMER DRAWING				
ITEM REVISION NAME 121031AJ/00		PANDUIT TM		
DATASET FILE NAME 121031AJ_DC_C11009/00B				
UNLESS OTHERWISE SPECIFIED, DIMENSIONAL TOLERANCES ARE: IN (mm) .x ± .1 [2.54] .xxx ± .005 [0.127] .xx ± .01 [0.25] ANGLES ± 5°			MATERIAL: SEE NOTE 2	
DRAWN BY: DBLA DATE: 11/13/2012 CHK: KLN SCALE: NONE			DRAWING NUMBER: C11009	
REV DATE BY CHK APR DESCRIPTION ECN			SHT 1 OF 1 A	

01	1/16/14	RVU	DJW	KLN	REMOVE "-" FROM EACH PART NUMBER	GAECN01573
00	11/13/12	DBLA	GGC	KLN	INITIAL RELEASE	GAECN00228
REV	DATE	BY	CHK	APR	DESCRIPTION	ECN

D10100DA/12