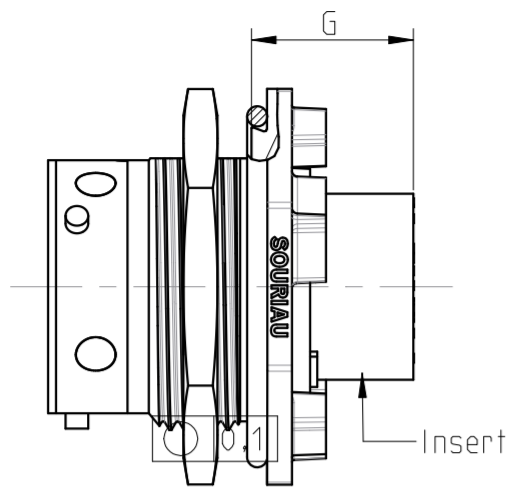


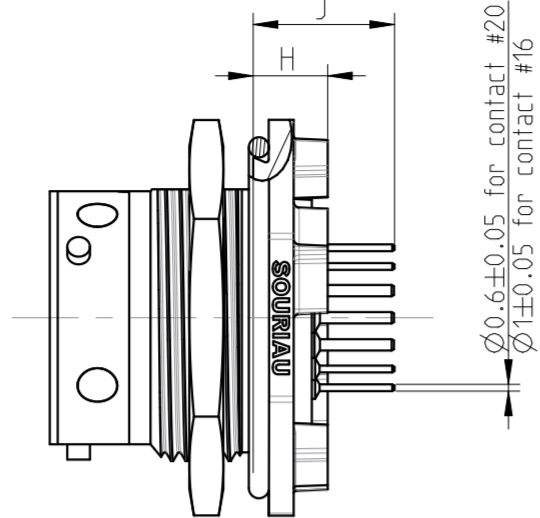
SIDE VIEW FOR EACH VERSION

COMMON QUOTES FOR ALL VERSION

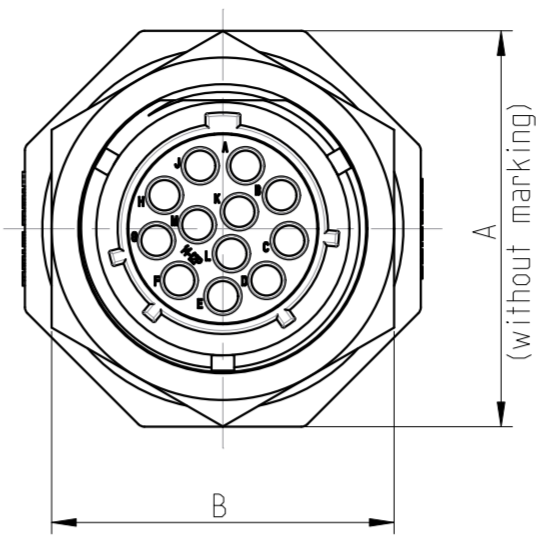
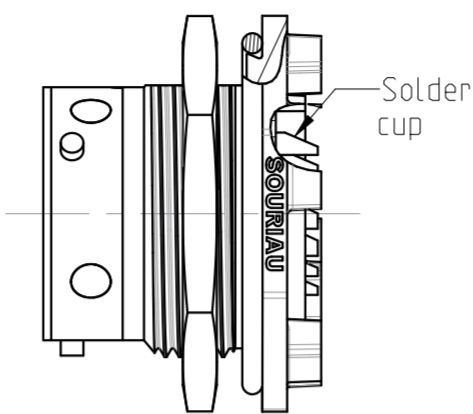
UTGX7-----P



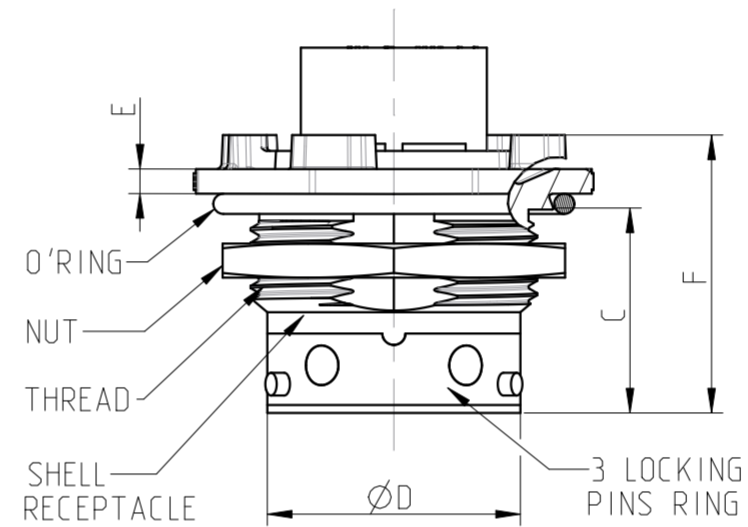
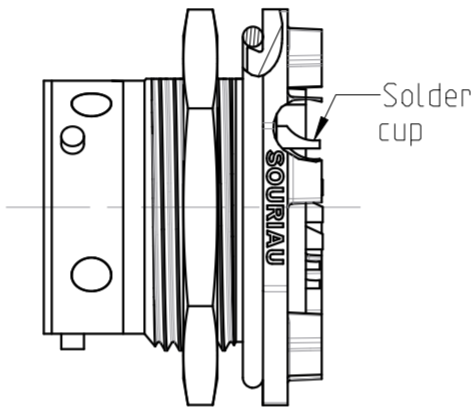
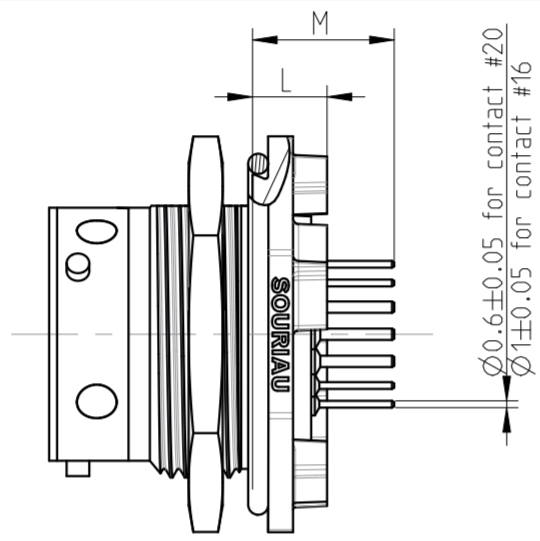
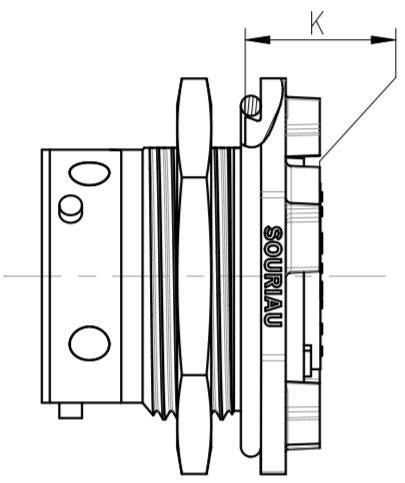
UTGX7--D---



UTGX7--E---



UTGX7-----S



MATERIAL :

- SHELL : PA UL94 V0, UL746C F1 Black color
- 3 LOCKING PINS RING : Nickel plated Brass + stainless Steel
- INSERT (UTGX7-----) : PA UL94 V0, UL746C F1
- INSERT (UTGX7--D/E---) : Polychloroprene
- NUT : Aluminium alloy + Anodic oxidation
- O'RING : Nitril
- CONTACTS : brass + coated depending on P/N

PERFORMANCE CHARACTERISTICS :

Operating temperature: -40°C up to 105°C
 Insulation resistance: 5000 MΩmin
 Corrosion salt spray: 500 hours
 Durability: 500 matings and unmatings
 Sealing conditions: SEE TABLE

NOTA:

- 1- Contact to be ordered separately for version UTGX7----- : refer to corresponding catalogue.
- 2- Insert arrangement refer to:
 UTO-CONTACT-L-C02 (Female insulator)
 UTO-DHP-003-C01 (Female insulator #20)
 UTO-DHP-002-C01 (Female insulator #16)
 UTO-CONTACT-L-C01 (Male insulator)
 UTO-DHP-003-C01 (Male insulator #20)
 UTO-DHP-001-C01 (Male insulator #16)
 C144-UTS1-A (HiSeal Version)

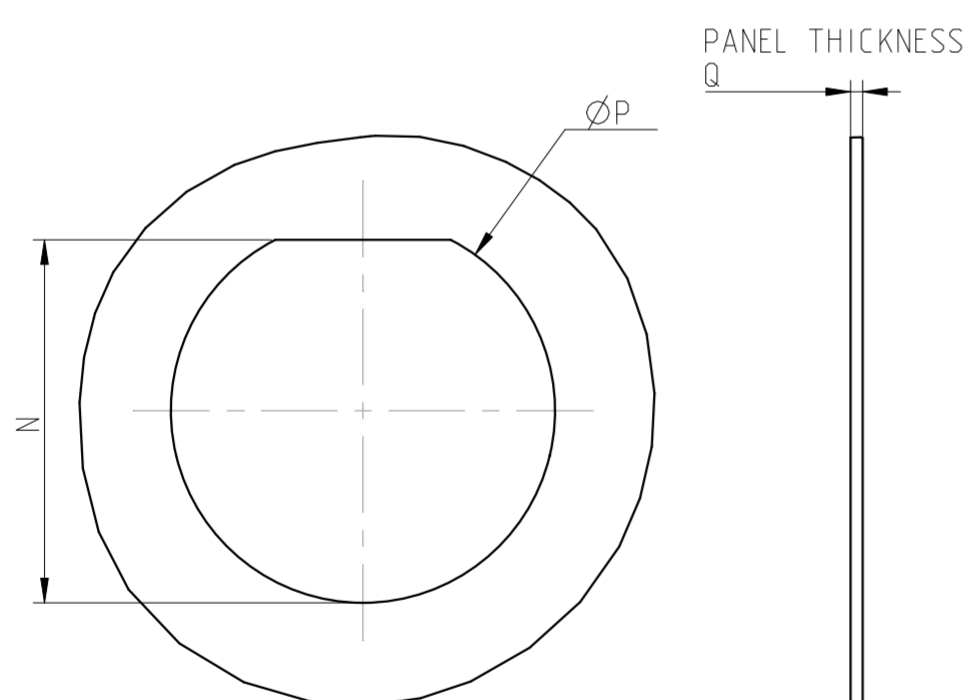
SEALING CONDITION

Sealing in MATED conditions with COUNTERPART:
 -IP68 1 bar during 1 week: immersion under 10 m of water. (IEC 60529)
 -IP69K : exposure to high pressure water of cleaning equipment(DIN 40050)

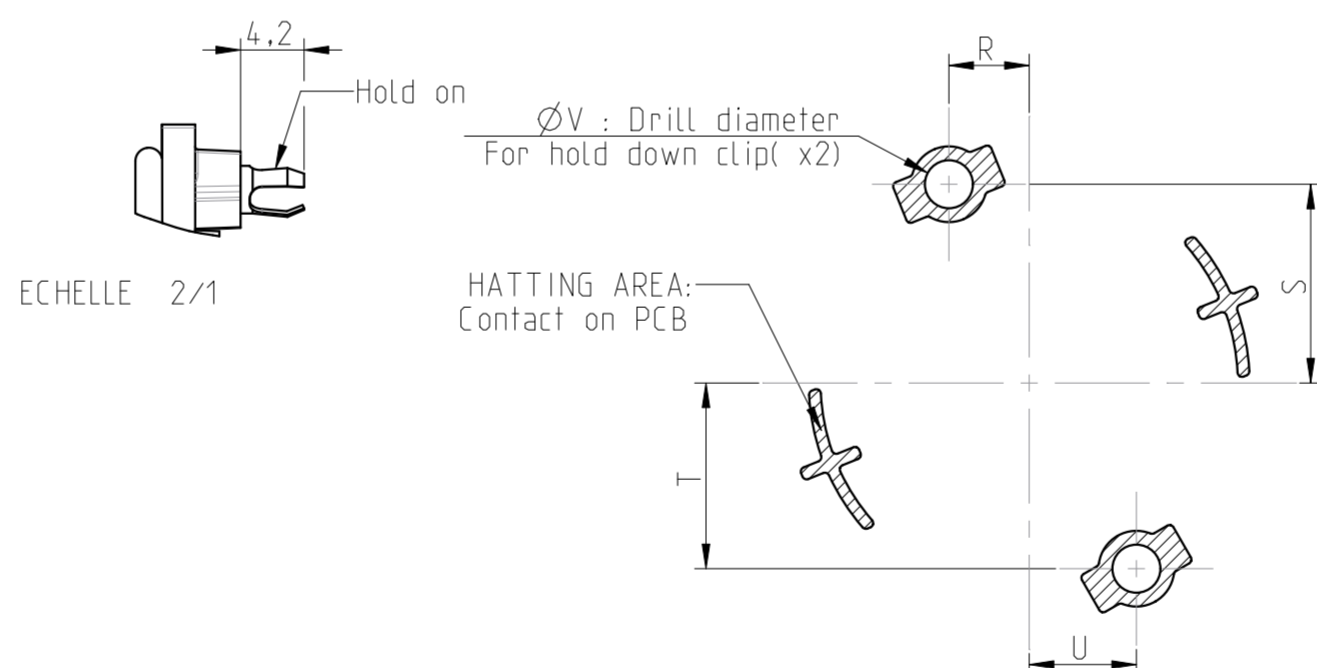
Sealing in MATED conditions with COUNTERPART and UNMATED conditions:
 -IP68 1 bar during 1 week: immersion under 10 m of water. (IEC 60529)
 -IP69K : exposure to high pressure water of cleaning equipment(DIN 40050)

Sealing in MATED conditions with COUNTERPART and UNMATED conditions:
 -IP68 1 bar during 1 week: immersion under 10 m of water. (IEC 60529)
 -IP69K : exposure to high pressure water of cleaning equipment(DIN 40050)

PANEL CUT OUT and DRILLING PATTERN DEFINITION



CONNECTOR FRONT VIEW : SPECIFICATION 32



Country	Jurisdiction & Control List
FR	NOT LISTED

SOURIAU shall not be liable for any non-conformity or damage due to a use of the Products which does not comply with the Specifications issued by either of the Parties or by a third party (professional recommendation, technical notice.)

P/N : CROSS REF TABLE

BASIC SERIES	UTGX 7 14 D 19 P - --	* P/N for example
SHELL TYPE	7 Jam nut receptacle	
SHELL SIZE	10 12 14	
TYPE OF LAYOUT	Standard layout (No digit) D : HISEAL Dispolder contacts E : HISEAL Handsolder contacts	
INSERT ARRANGEMENT	See NOTA 2	
SPECIFICATION		∅ : Without Hold on 32: With Hold on (see definition in table)
ORIENTATIONS		Normal (no digit) W.X.Y.Z
TYPE OF CONTACTS		P: MALE S: FEMALE

B	14/02/2020	Update drawing	25253J
ISS	DATE	Latest modification - by:	J.FEURPRIER
Designed by: PE.LANDAIS Date:10/05/2019			MOD N°

TITLE	JAM NUT RECEPTACLE - SIZE 10 12 & 14 - Standard and Hiseal version UTGX CONNECTOR	CUSTOMER DRAWING
-------	--	------------------

Scale	3/2	Dimensions in mm General Linear Tolerances: ±0.2	NPRDS / PROJECT GBB
-------	-----	--	------------------------

This document is the property of SOURIAU. It must not be reproduced or communicated without permission.

SHELL SIZE	±0.2	±0.2	MAX	±0.2	±0.3	±0.2	MAX	±0.25	MIN / MAX	MAX	±0.25	MIN / MAX	±0.1	±0.15	±2	±0.1	±0.1	±0.1	±0.1	±0.1	UNEF CLASS 2A	±20% (g.)
	A	B	C	ØD	E	F	G	H	J	K	L	M	N	ØP	Q	R	S	T	U	ØV	THREAD	MASS
10	27.00	22.15		15.20									16.6	17.9		3.98	9.85	9.20	5.31		11/16 24	10
12	31.75	27.15	18.1	19.15	2.2	24.5	15.2	6.57	11.5/13.4	7.8	6.57	11.5/13.4	21.3	22.7	3	4.92	12.17	11.37	6.56	3.1	7/8 20	15
14	34.90	30.20		22.31									24.4	25.9		5.29	13.10	12.23	7.06		1"20	20

* -1mm FOR LAYOUT 12D14



www.souriau.com