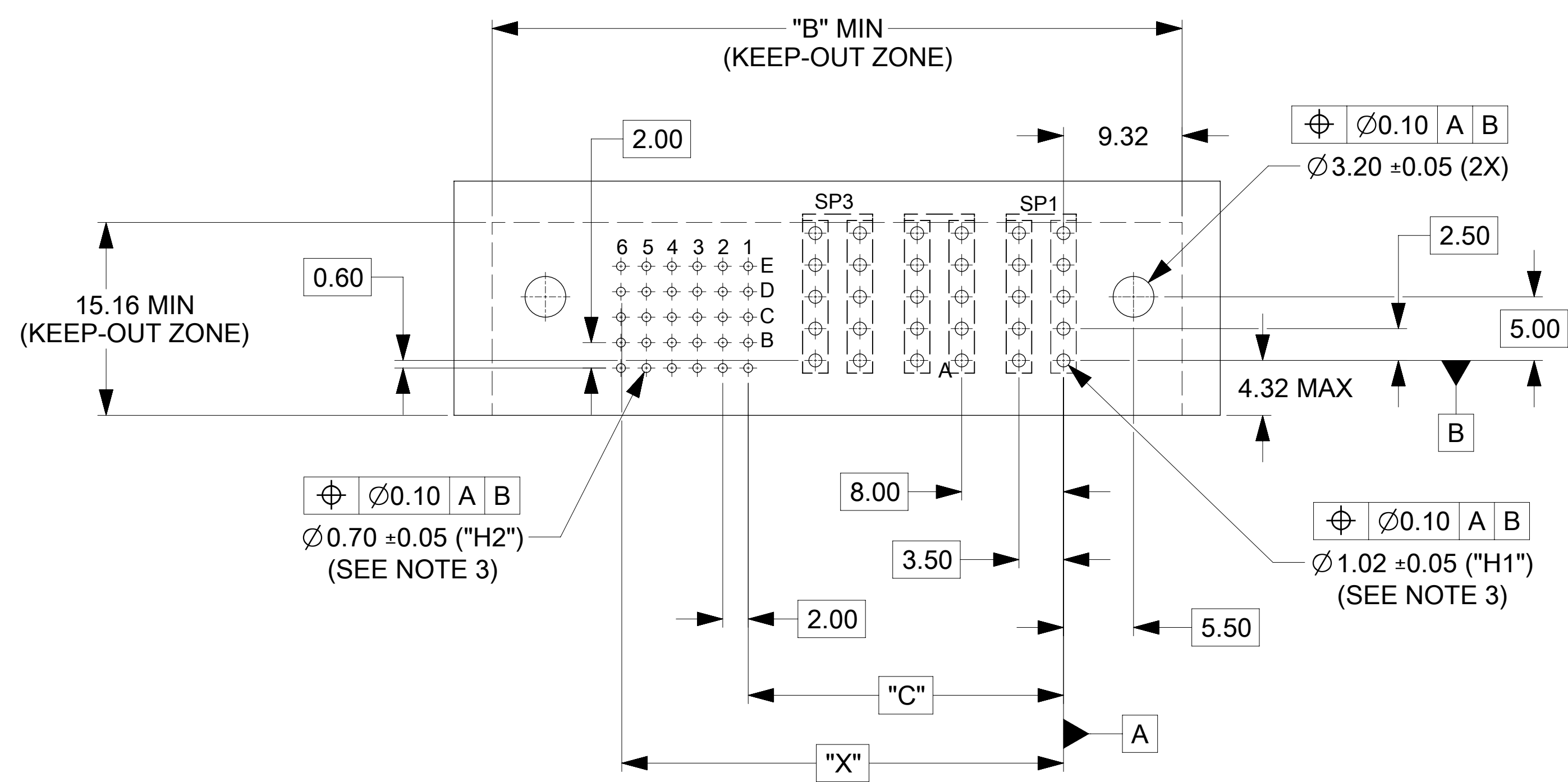
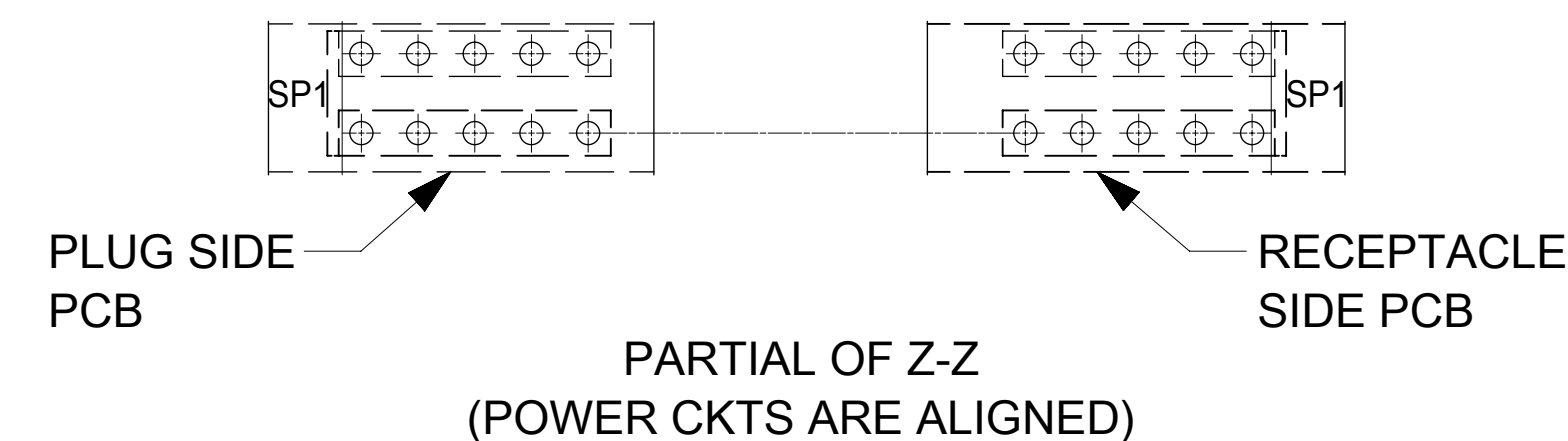
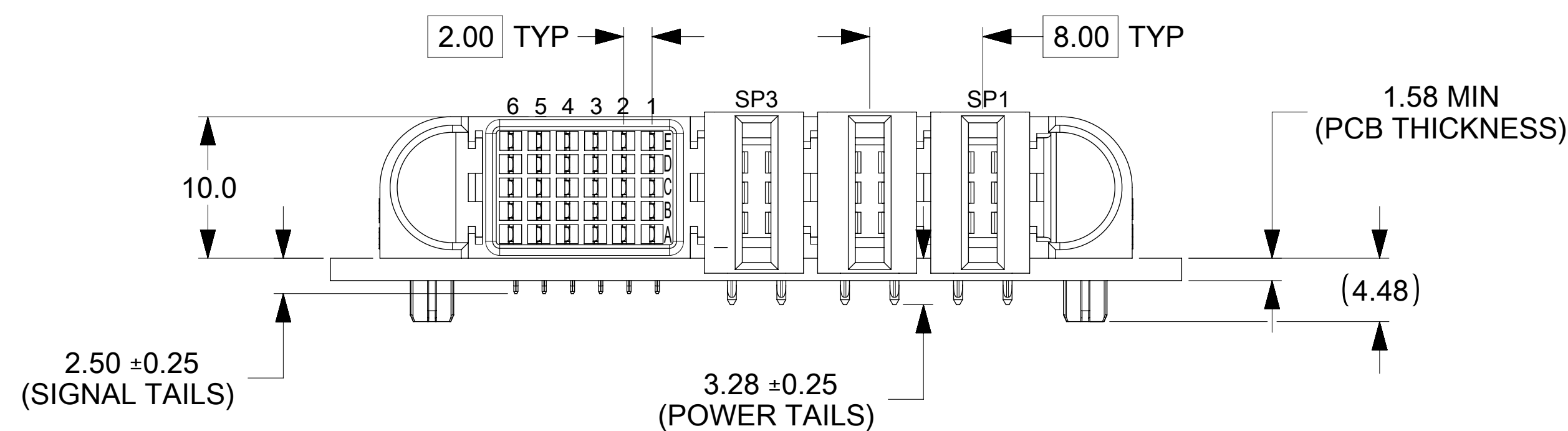


P/N: 171090-8418 (G-3SP-30S-G)

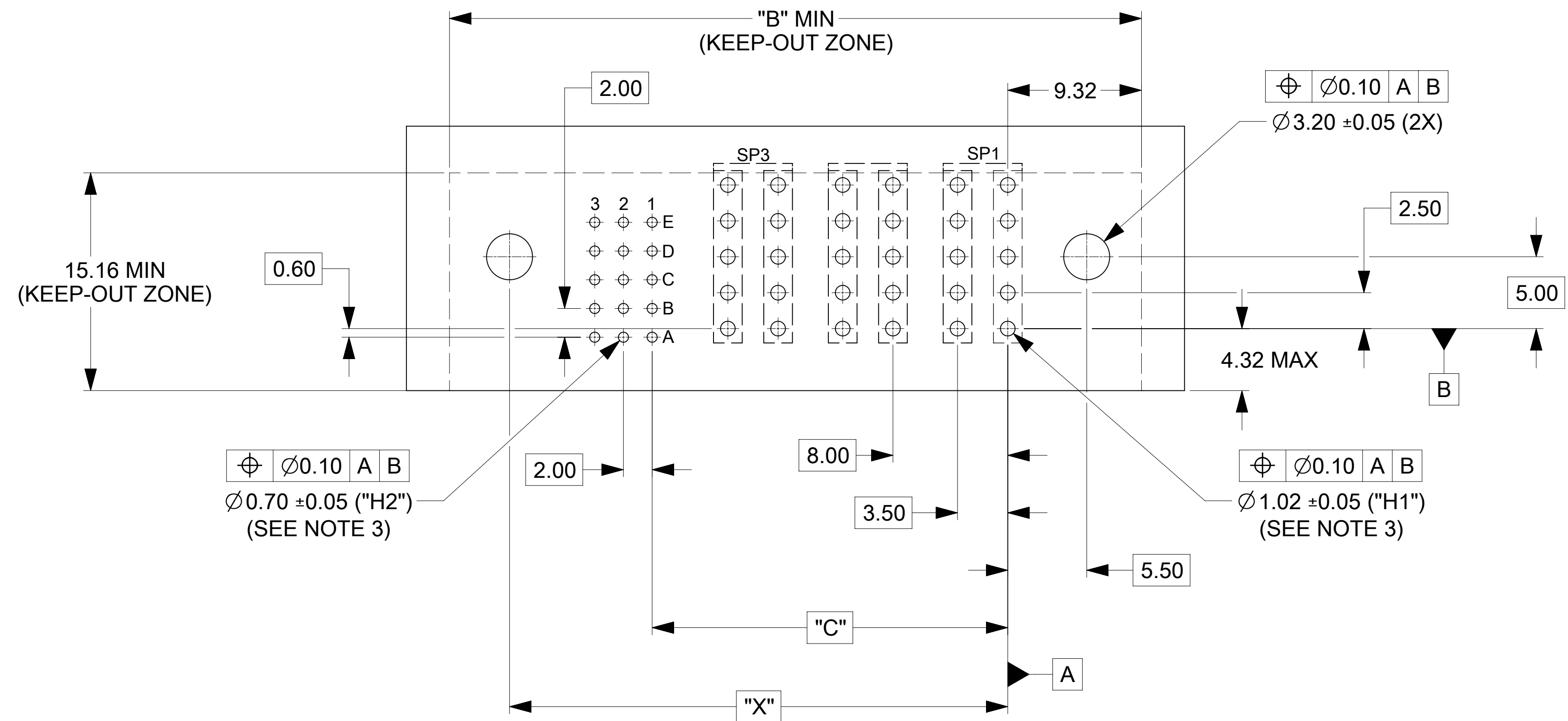


RECOMMENDED PCB LAYOUT AND KEEP-OUT ZONE FOR G-(1SP TO 3SP)-30S-G

NOTES:

- MATERIAL:
  - HOUSINGS: LCP UL94, V-0, COLOR: BLACK
  - TERMINALS: HIGH CONDUCTIVITY COPPER ALLOY
  - PLATING: 1.27 MICROMETER (50 MICROINCH) NICKEL OVERALL WITH 2.54 MICROMETER (100 MICROINCH) SELECTIVE TIN ON TAILS AND 0.762 MICROMETER (30 MICROINCH) SELECTIVE GOLD ON CONTACT AREA
- PACKAGING: ASSEMBLIES TO BE TRAY PACKED PER PACKAGING SPEC: 1710901001-PK
- PLATED THRU HOLE SIZE, REFER TO PS-171088-0000 FOR DETAILS
- PRODUCT SPEC: PS-171088-0000
- PRODUCT TO MEET RoHS REQUIREMENTS
- ASSEMBLY MATES TO MOLEX PLUG ASSEMBLY P/N 171088-\*\*\*\* (SEE TABLE IN SHEET 2).
- TAIL DESIGN: COMPLIANT TAILS
- POWER AND SIGNAL CONTACTS ARE LUBRICATED.
- APPLICATION SPEC: AS-46436-100
- MOLEX LOGO TO BE LOCATED APPROXIMATELY AS SHOWN.

THIS DRAWING CONTAINS INFORMATION THAT IS PROPRIETARY TO MOLEX ELECTRONIC TECHNOLOGIES, LLC AND SHOULD NOT BE USED WITHOUT WRITTEN PERMISSION									
DIMENSION UNITS	SCALE	CURRENT REV DESC: REMOVED P/N 8414, 8415, 8419 & 8420							
mm	3:1								
GENERAL TOLERANCES (UNLESS SPECIFIED)									
ANGULAR TOL	± 0.5°	<b>G-*SP-*S-G</b> R/A RECEP ASSY - TEN60 SPLIT POWER							
4 PLACES	±								
3 PLACES	±	PRODUCT CUSTOMER DRAWING							
2 PLACES	± 0.13								
1 PLACE	± 0.25	DOCUMENT NUMBER: <b>1710908420</b> DOC TYPE: PSD    DOC PART: 000    REVISION: A2							
0 PLACES	±								
DRAFT WHERE APPLICABLE MUST REMAIN WITHIN DIMENSIONS		THIRD ANGLE PROJECTION	DRAWING	SERIES	MATERIAL NUMBER	CUSTOMER	SHEET NUMBER		
			D-SIZE	171090	SEE TABLE	GENERAL MARKET	1 OF 3		



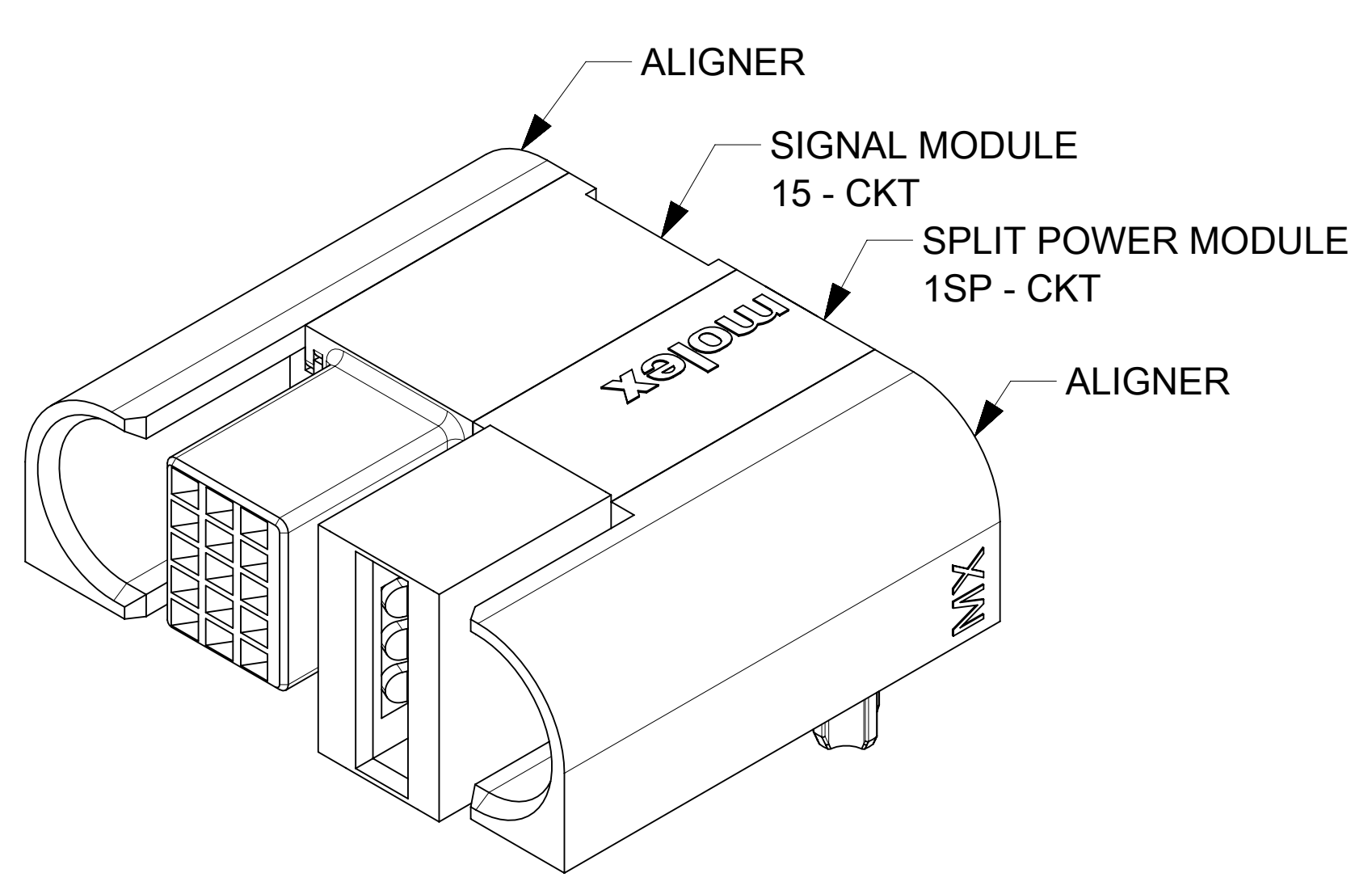
RECOMMENDED PCB LAYOUT AND KEEP-OUT ZONE FOR G-(1SP TO 3SP)-15S-G

REFER TO BELOW TABLE FOR DIMENSIONS.

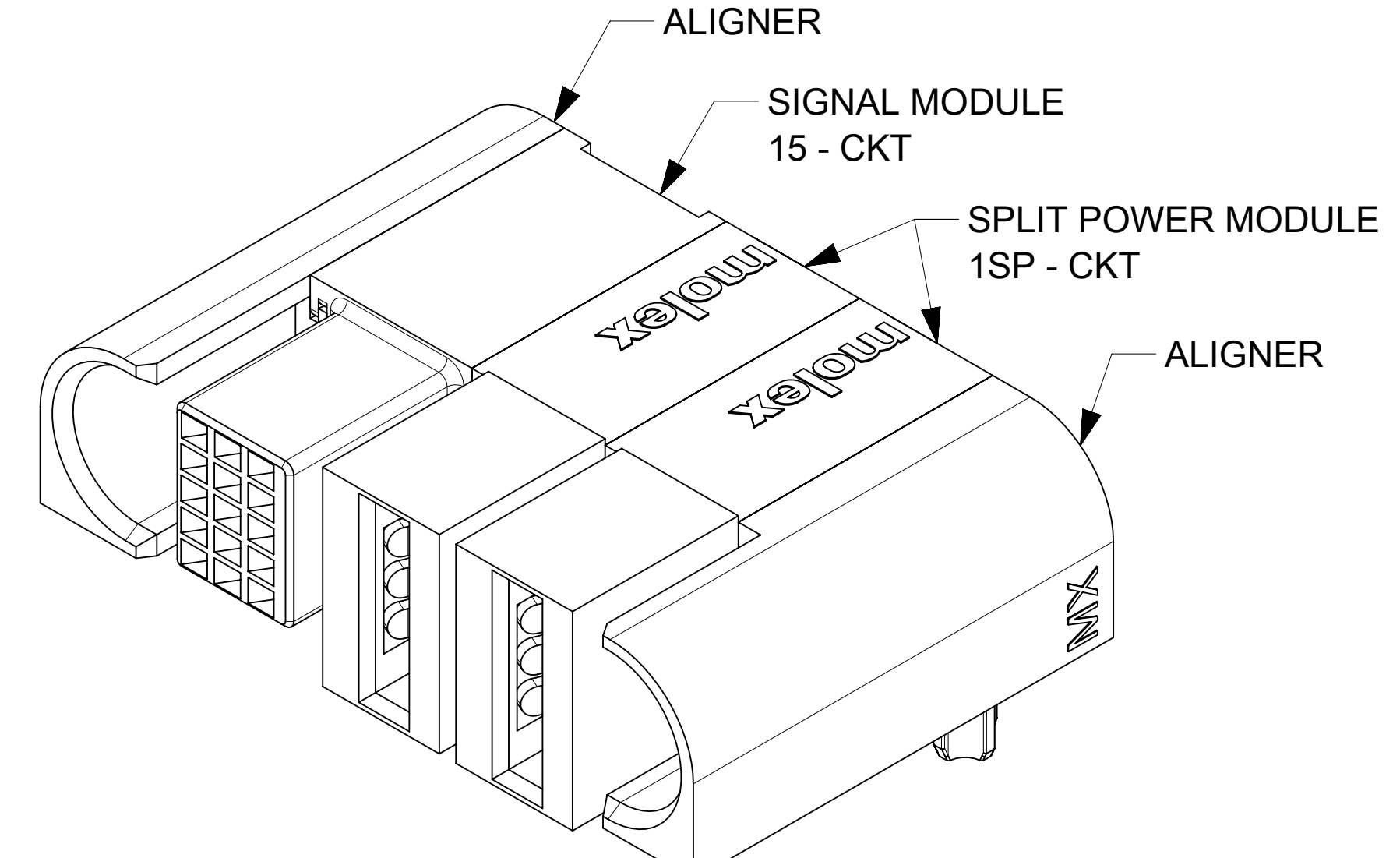
FG P/N	CONFIGURATION	POWER CKT SIZE	SIGNAL CKT SIZE	DIM "A" (IN MM)	DIM "B" (IN MM)	DIM "C" (IN MM)	DIM "X" (IN MM)	HOLES COUNT "H1"	HOLES COUNT "H2"	MATES WITH R/A PLUG ASSY P/N
1710908411	G-1SP-15S-G	1	15	31.21	32.21	8.78	18.71	10	15	1710888411
1710908412	G-2SP-15S-G	2	15	39.21	40.21	16.78	26.71	20	15	1710888412
1710908413	G-3SP-15S-G	3	15	47.21	48.21	24.78	34.71	30	15	1710888413
1710908416	G-1SP-30S-G	1	30	37.21	38.21	8.78	24.71	10	30	1710888416
1710908417	G-2SP-30S-G	2	30	45.21	46.21	16.78	32.71	20	30	1710888417
1710908418	G-3SP-30S-G	3	30	53.21	54.21	24.78	40.71	30	30	1710888418

THIS DRAWING CONTAINS INFORMATION THAT IS PROPRIETARY TO MOLEX ELECTRONIC TECHNOLOGIES, LLC AND SHOULD NOT BE USED WITHOUT WRITTEN PERMISSION

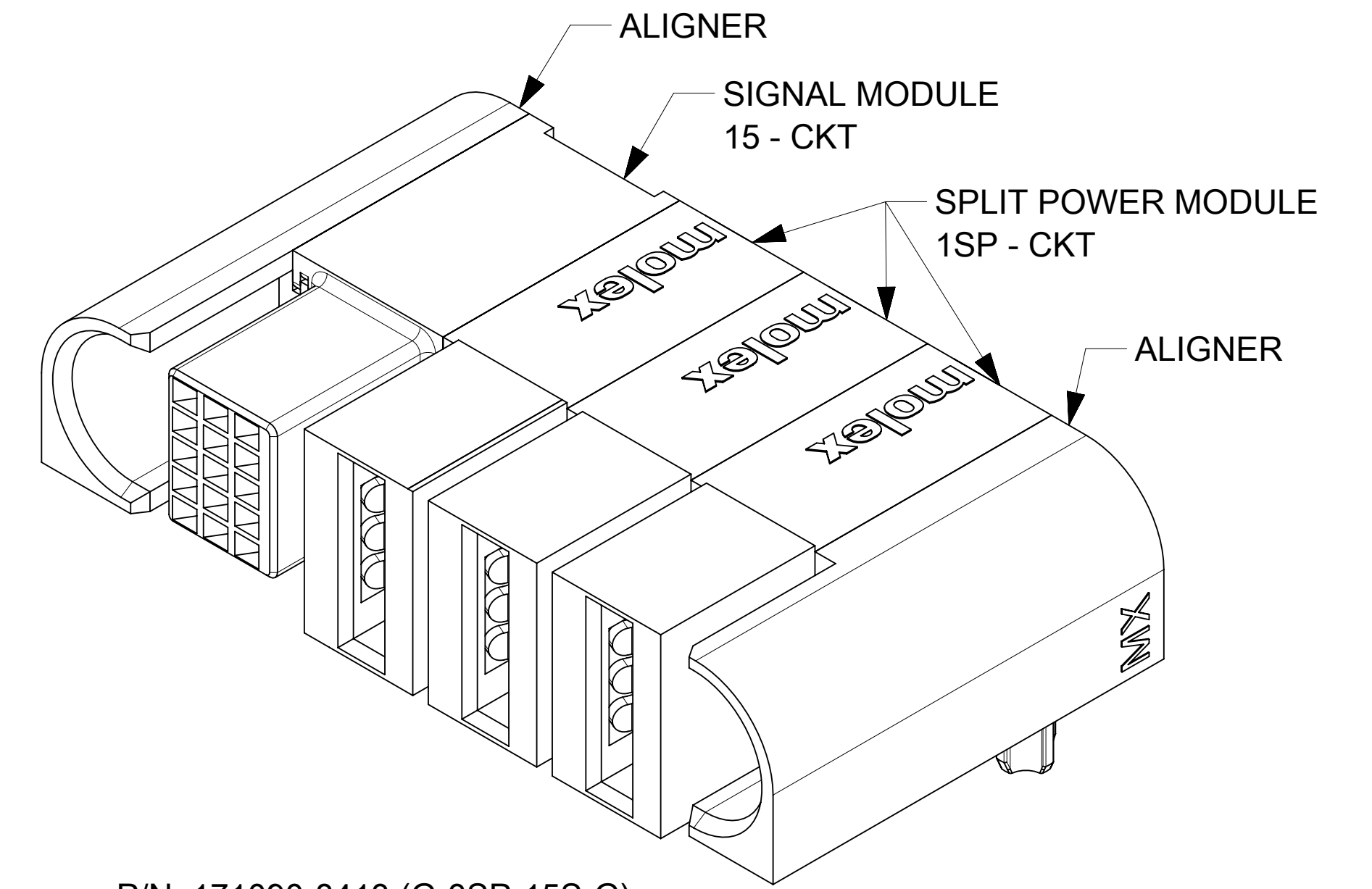
DIMENSION UNITS <b>mm</b>	SCALE <b>4:1</b>	CURRENT REV DESC: REMOVED P/N 8414, 8415, 8419 & 8420	<b>molex</b>		
GENERAL TOLERANCES (UNLESS SPECIFIED)					
ANGULAR TOL ± 0.5°	4 PLACES ±	EC NO: 707711	PRODUCT CUSTOMER DRAWING		
3 PLACES ±	3 PLACES ±	DRWN: KSUTAR 2022/05/20	DOCUMENT NUMBER		
2 PLACES ± 0.13	2 PLACES ±	CHK'D: GJEEVANSURES 2022/05/23	DOC TYPE		
1 PLACE ± 0.25	1 PLACE ±	APPR: HTHYAGARAJ 2022/06/08	DOC PART		
0 PLACES ±	0 PLACES ±	INITIAL REVISION:	REVISION		
DRAFT WHERE APPLICABLE MUST REMAIN WITHIN DIMENSIONS	THIRD ANGLE PROJECTION	DRWN: KSUTAR 2021/09/27	1710908420		
	DRAWING	APPR: HTHYAGARAJ 2021/11/08	PSD 000 A2		
	SERIES		MATERIAL NUMBER		
	<b>D-SIZE</b>	<b>171090</b>	CUSTOMER		
			SEE TABLE		
			GENERAL MARKET		
			SHEET NUMBER		
			2 OF 3		



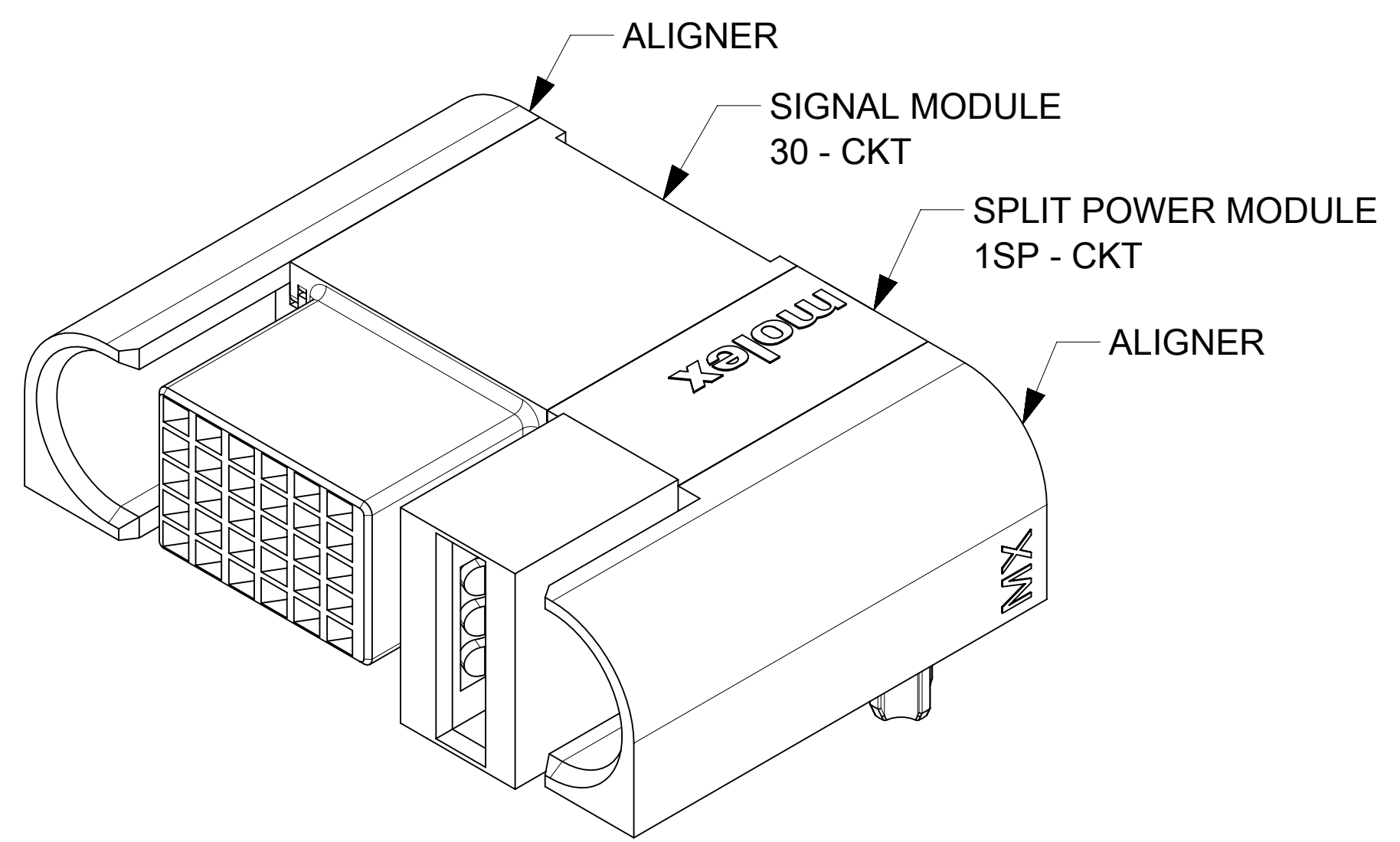
P/N: 171090-8411 (G-1SP-15S-G)



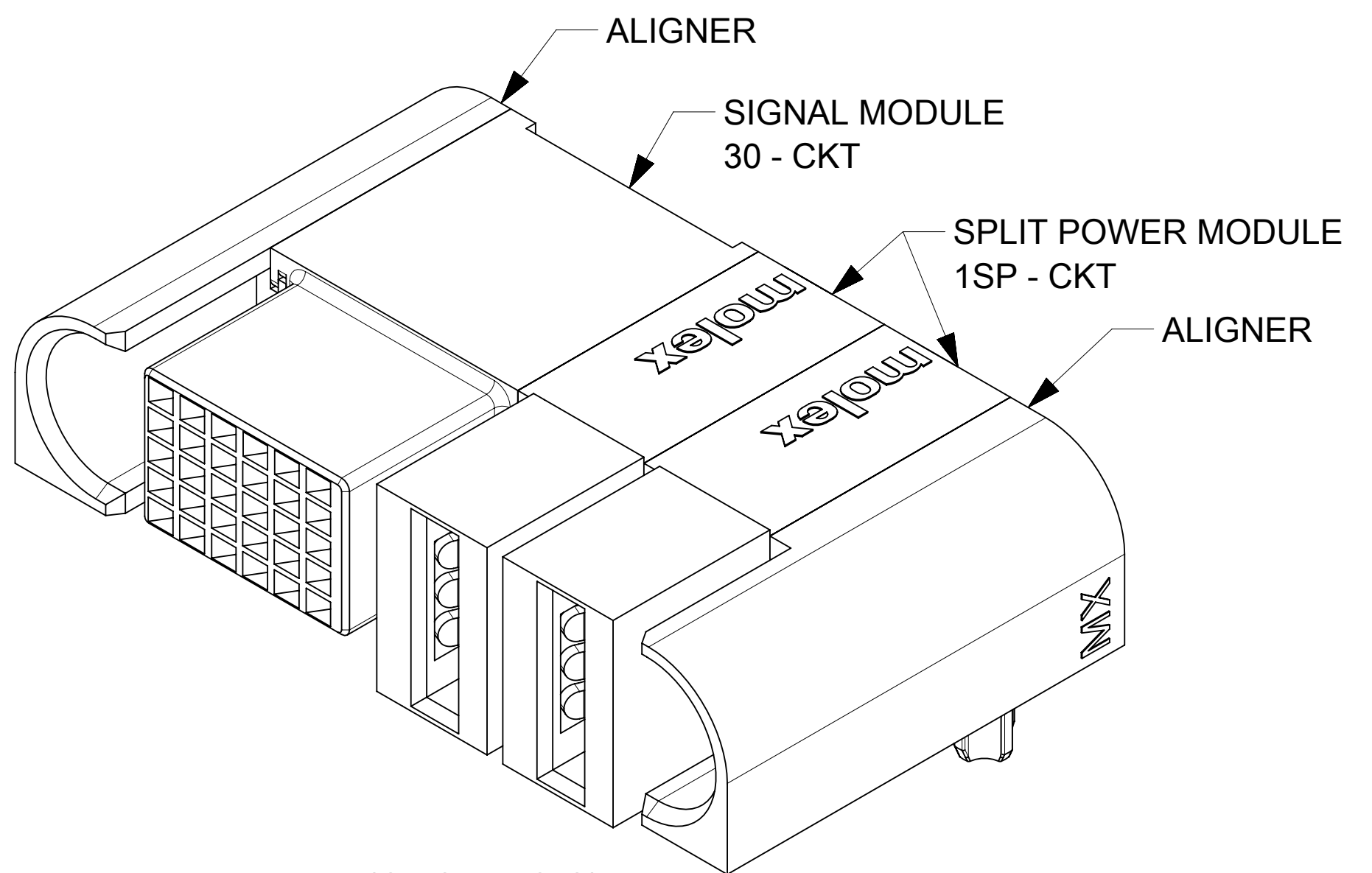
P/N: 171090-8412 (G-2SP-15S-G)





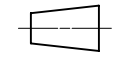
P/N: 171090-8413 (G-3SP-15S-G)



P/N: 171090-8416 (G-1SP-30S-G)



P/N: 171090-8417 (G-2SP-30S-G)

THIS DRAWING CONTAINS INFORMATION THAT IS PROPRIETARY TO MOLEX ELECTRONIC TECHNOLOGIES, LLC AND SHOULD NOT BE USED WITHOUT WRITTEN PERMISSION									
DIMENSION UNITS	SCALE	CURRENT REV DESC: REMOVED P/N 8414, 8415, 8419 & 8420							
mm	4:1								
GENERAL TOLERANCES (UNLESS SPECIFIED)		EC NO: 707711			<b>G-*SP-*S-G</b> <b>R/A RECEP ASSY - TEN60 SPLIT POWER</b>				
ANGULAR TOL	± 0.5°	DRWN: KSUTAR 2022/05/20							
4 PLACES	±	CHK'D: GJEEVANSURES 2022/05/23			<b>PRODUCT CUSTOMER DRAWING</b>				
3 PLACES	±	APPR: HTHYAGARAJ 2022/06/08							
2 PLACES	± 0.13	INITIAL REVISION:			DOCUMENT NUMBER: <b>1710908420</b> DOC TYPE: PSD    DOC PART: 000    REVISION: A2				
1 PLACE	± 0.25	DRWN: KSUTAR 2021/09/27							
0 PLACES	±	APPR: HTHYAGARAJ 2021/11/08			MATERIAL NUMBER: SEE TABLE    CUSTOMER: GENERAL MARKET    SHEET NUMBER: 3 OF 3				
DRAFT WHERE APPLICABLE MUST REMAIN WITHIN DIMENSIONS		THIRD ANGLE PROJECTION	DRAWING	SERIES					
				<b>D-SIZE 171090</b>					