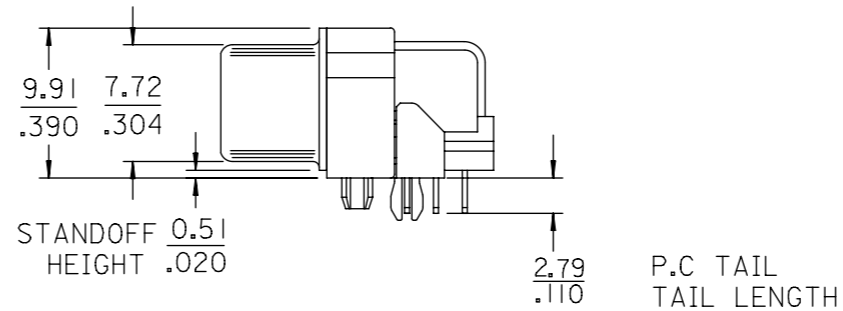


NOTES:

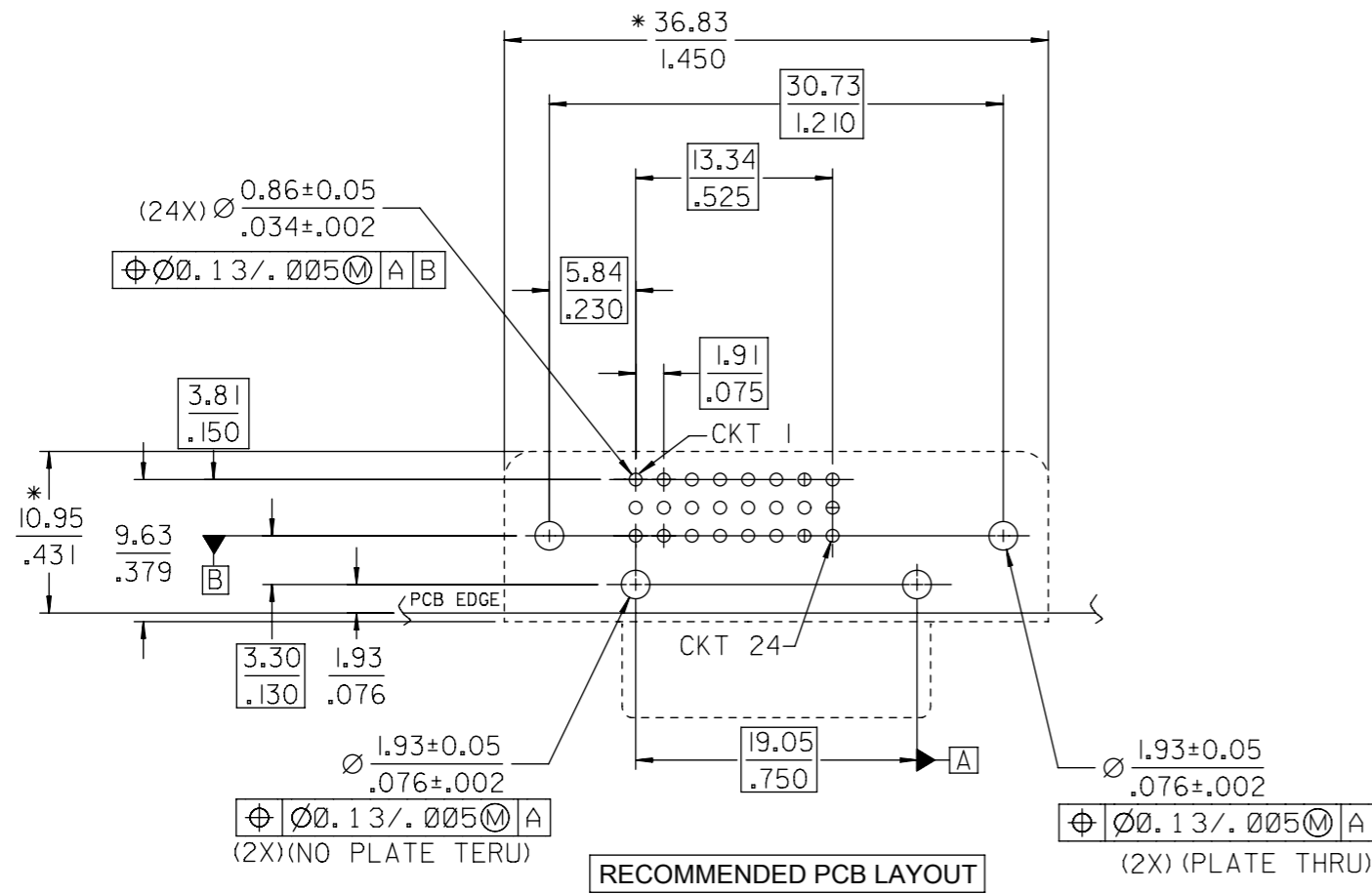
- MATERIAL:  
SHIELD: DEEP DRAW STEEL;  
HOUSING: LCP, UL94V-0, NATURAL (WHITE);  
TAIL ALIGNER: LCP, UL94V-0, NATURAL (WHITE);  
CONTACT: COPPER ALLOY;  
JACKPOST: STEEL.
- PLATING: SEE SHEET 2.
- PRODUCT CONFORMS TO MOLEX PRODUCT SPECIFICATION NUMBER PS-74320-001. REFER TO THIS SPECIFICATION FOR SPACING ON A P.C.B. OF TWO OR MORE CONNECTORS WHEN USING A CABLE OR AN ADAPTER ASSEMBLY.
- SEE SHEET 2 FOR RECOMMENDED PANEL CUT-OUT AND P.C.B. LAYOUT.
- PARTS WILL BE PACKAGED IN TRAYS PER PK-74320-010.
- PRODUCT CONFORMS TO DDWG DVI SPECIFICATION. REFER TO THIS SPECIFICATION FOR CONNECTOR MATING DIMENSIONS.
- RECOMMENDED MOUNTING HARDWARE IS MOLEX P/N 71781-0001 OR 82007-0300 OR 88780-6066. REFER TO PRODUCT SPECIFICATION NUMBER PS-74320-001 FOR THIS APPLICATION TORQUE REQUIREMENT FOR ASSMBLING MOUNTING HARDWARE.
- CAVITY ID AND MANUFACTURING PLANT CODE.



74320-4006	74320-4026	47570-0002
PART NUMBER	CONNECTOR	JACKPOST

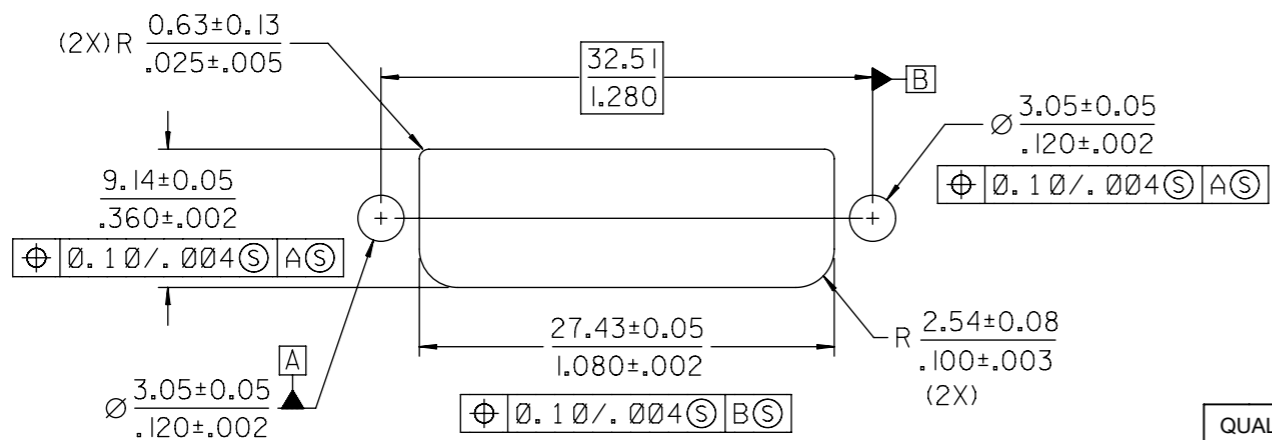
THIS DRAWING CONTAINS INFORMATION THAT IS PROPRIETARY TO MOLEX ELECTRONIC TECHNOLOGIES, LLC AND SHOULD NOT BE USED WITHOUT WRITTEN PERMISSION											
<b>QUALITY SYMBOLS</b> FA = 0 FE = 0 FB = 0 FV = 0 FC = 0 FX = 0 FS = 0 FT = 0	<b>CHANGE SHELL PLATING</b> EC NO: 118825 DRWN: XQZHANG CHK'D: XQZHANG REV APPR: AYIN	GENERAL TOLERANCES (UNLESS SPECIFIED)		DIMENSION UNITS	SCALE						
		ANGULAR TOL ± 1.0 °		INCH	1:1						
		4 PLACES ± 0.1		DRWN BY	DATE	<b>DVI-DIGITAL RIGHT ANGLE RECEPTACLE CONNECTOR, WITH JACKPOST</b>					
		3 PLACES ± 0.1		XQZHANG	2014/12/11						
		2 PLACES ± 0.1		CHK'D BY	DATE	<b>PRODUCT CUSTOMER DRAWING</b>					
		1 PLACE ±		XQZHANG	2014/12/10						
		0 PLACES ±		APPR BY	DATE	SERIES: 74320 MATERIAL NUMBER: 74320-4006 CUSTOMER: GENERAL MARKET					
		DRAFT WHERE APPLICABLE MUST REMAIN WITHIN DIMENSIONS		AYIN	2015/02/09						
				DRAWING SIZE	THIRD ANGLE PROJECTION	DOCUMENT NUMBER: SD-74320-103 DOC TYPE: PSD DOC PART: 000 SHEET NUMBER: 1 OF 2					
				A3							

RELEASE STATUS	RELEASE DATE
----------------	--------------



\* THESE DIMENSIONS REPRESENT CONNECTOR OVERLAY ON PCB.

PLATING OPTIONS:  
 OUT SHIELD -- 60u"/(1.5um) MIN. SOLDERABLE NICKEL OVER  
 30u"/(0.75um) MIN. COPPER OVERALL.  
 .075"/(1.91mm) CONTACTS -- SELECT GOLD FLASH AND  
 100u"/(2.50um) MIN. SELECT PURE TIN  
 OVER 50u"/(1.27um) MIN. NICKEL OVERALL.



RECOMMENDED PANEL CUT-OUT  
 PANEL THICKNESS: .030/0.76-.040/1.02

THIS DRAWING CONTAINS INFORMATION THAT IS PROPRIETARY TO MOLEX ELECTRONIC TECHNOLOGIES, LLC AND SHOULD NOT BE USED WITHOUT WRITTEN PERMISSION											
QUALITY SYMBOLS		CHANGE SHELL PLATING		EC NO: 118825		DRWN: XQZHANG		CHK'D: XQZHANG		APP'R: AYIN	
▽A	= 0	2016/08/17	2016/08/16	2017/07/10	GENERAL TOLERANCES (UNLESS SPECIFIED)		DIMENSION UNITS		SCALE		
▽E	= 0	ANGULAR TOL ± 1.0 °		INCH		1:1		 DVI-DIGITAL RIGHT ANGLE RECEPTACLE CONNECTOR, WITH JACKPOST PRODUCT CUSTOMER DRAWING SERIES: 74320 MATERIAL NUMBER: 74320-4006 CUSTOMER: GENERAL MARKET DOCUMENT NUMBER: SD-74320-103 DOC TYPE: PSD DOC PART: 000 SHEET NUMBER: 2 OF 2			
▽F	= 0	4 PLACES	± 0.1	DRWN BY: XQZHANG		DATE: 2014/12/11					
▽	= 0	3 PLACES	± 0.1	CHK'D BY: XQZHANG		DATE: 2014/12/10					
▽C	= 0	2 PLACES	± 0.1	APP'R BY: AYIN		DATE: 2015/02/09					
▽	= 0	1 PLACE	±	DRAFT WHERE APPLICABLE MUST REMAIN WITHIN DIMENSIONS		DRAWING SIZE: A3		THIRD ANGLE PROJECTION			
▽	= 0	0 PLACES	±								
▽	= 0										

RELEASE STATUS	RELEASE DATE
----------------	--------------