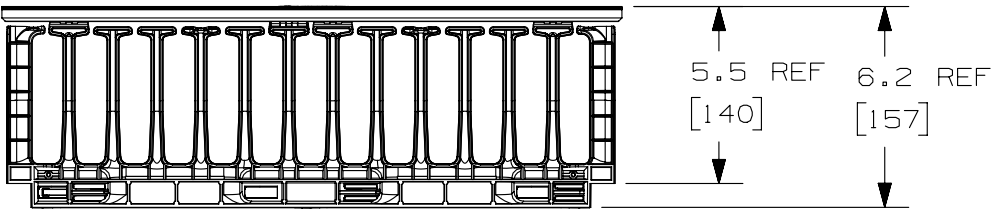
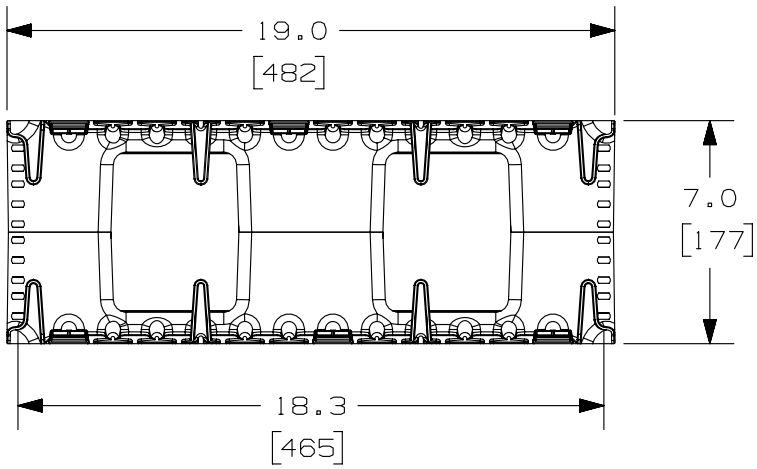
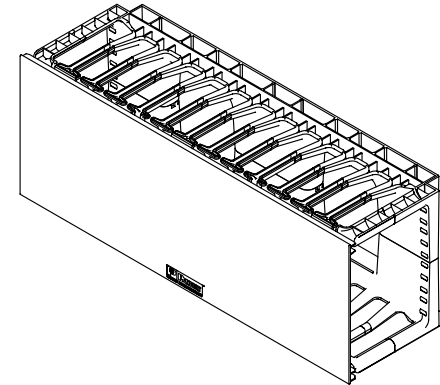


THIS COPY IS PROVIDED ON A RESTRICTED BASIS AND IS NOT TO BE USED IN ANY WAY DETRIMENTAL TO THE INTERESTS OF PANDUIT CORP.



PANDUIT P/N	WEIGHT
NMF4 NMF4WH	2.6 LBS/EACH 1179 g/EACH

- NOTES:
- VISIT OUR ON-LINE CATALOG AT WWW.PANDUIT.COM FOR A CURRENT LIST OF PRODUCTS APPLICABLE FOR USE WITH THIS PART.
 - COMPONENTS:
1- 4RU MANAGER (FRONT ONLY)
1- 4RU 19" COVER
 - DIMENSIONS IN PARENTHESIS ARE METRIC.



REV	DATE	BY	CHK	APR	DESCRIPTION	ECN
03A	10/30/14	FGR	TCO	CAHE	P/N NMF4WH ADDED	V09000AS
01B	4-1-13	RYB			REDRAWN, REMOVED OLD REVISIONS	10404-18

TITLE NMF4 CABLE MANAGER CUSTOMER DRAWING	
ITEM REVISION NAME V10404AJ/03	PANDUIT
DATASET FILE NAME V10404AJ_DC/03A	
UNLESS OTHERWISE SPECIFIED, DIMENSIONAL TOLERANCES ARE: IN (mm)	
.x ± .1 [2.54]	.xxx ± .005 [.127]
.xx ± .01 [.25]	ANGLES ± 5 °
THIRD ANGLE PROJECTION	
DRAWING NUMBER: 10404-18	
DRAWN BY BAME	DATE 3-5-07
CHK TCK	SCALE NONE
SHT 1 OF 1	
SIZE A	

D10100DA/15