

10 9 8 7 6 5 4 3 2 1

F

E

D

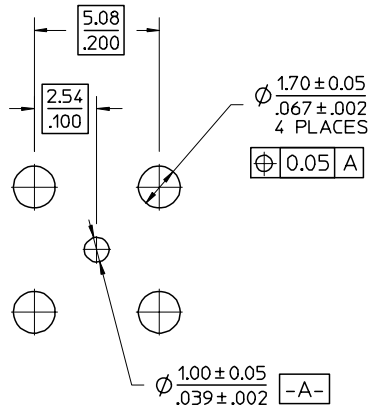
C

B

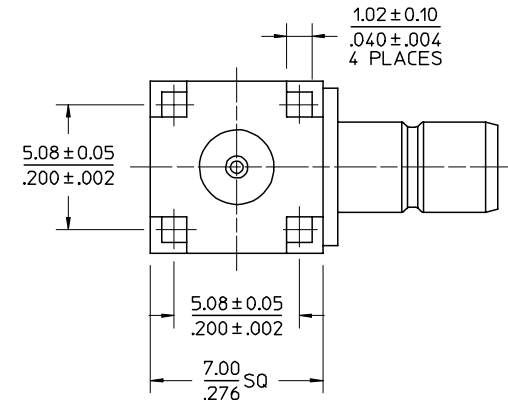
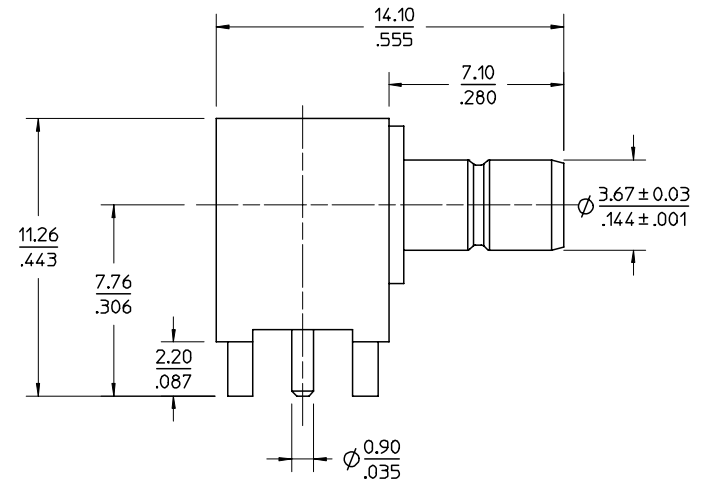
A

MATERIALS AND FINISHES

- BODY
BRASS, GOLD PLATED
- CENTER CONTACT
PHOSPHOR BRONZE, GOLD PLATED
- INSULATOR
TEFLON
- HOUSING
BRASS, GOLD PLATED



RECOMMENDED PCB HOLE CONFIGURATION



PART # 73396-0160

ES-73599-0000-013	INTERFACE DIMENSION
PS-73598-0099	PRODUCT SPECIFICATION
SPECIFICATION	DESCRIPTION

MODIFY TAPE	DESCRIPTION
EC NO: URF2005-0437	2005/04/15
DRW:ELIN	2005/04/26
CHKD:	2005/04/26
APPR:MUANG	2005/04/26
C1	REV

QUALITY SYMBOLS	DESCRIPTION
▽=0	
▽C=0	

GENERAL TOLERANCES (UNLESS SPECIFIED)	mm	INCH
4 PLACES	± ---	± ---
3 PLACES	± ---	± ---
2 PLACES	± 0.13	± ---
1 PLACE	± 0.25	± ---
ANGULAR ± 2 °		
DRAFT WHERE APPLICABLE MUST REMAIN WITHIN DIMENSIONS		

DIMENSION STYLE	MM/IN
DRAWN BY	DATE
LYNN	2005/04/12
CHECKED BY	DATE
KERRIE	2005/04/12
APPROVED BY	DATE
MISEN	2005/04/12
MATERIAL NO.	73396-0160
SIZE	A3

SCALE	DESIGN UNITS	THIRD ANGLE PROJECTION
---	METRIC	☉ □
TITLE		
50 OHM SMB JACK R/A PCB		
SMB-J/RA/PCB		
MOLEX INCORPORATED		
DOCUMENT NO.	SHEET NO.	
SD-73396-016	1 OF 02	
THIS DRAWING CONTAINS INFORMATION THAT IS PROPRIETARY TO MOLEX INCORPORATED AND SHOULD NOT BE USED WITHOUT WRITTEN PERMISSION		

9 8 7 6 5 4 3 2 1

10 9 8 7 6 5 4 3 2 1

F F

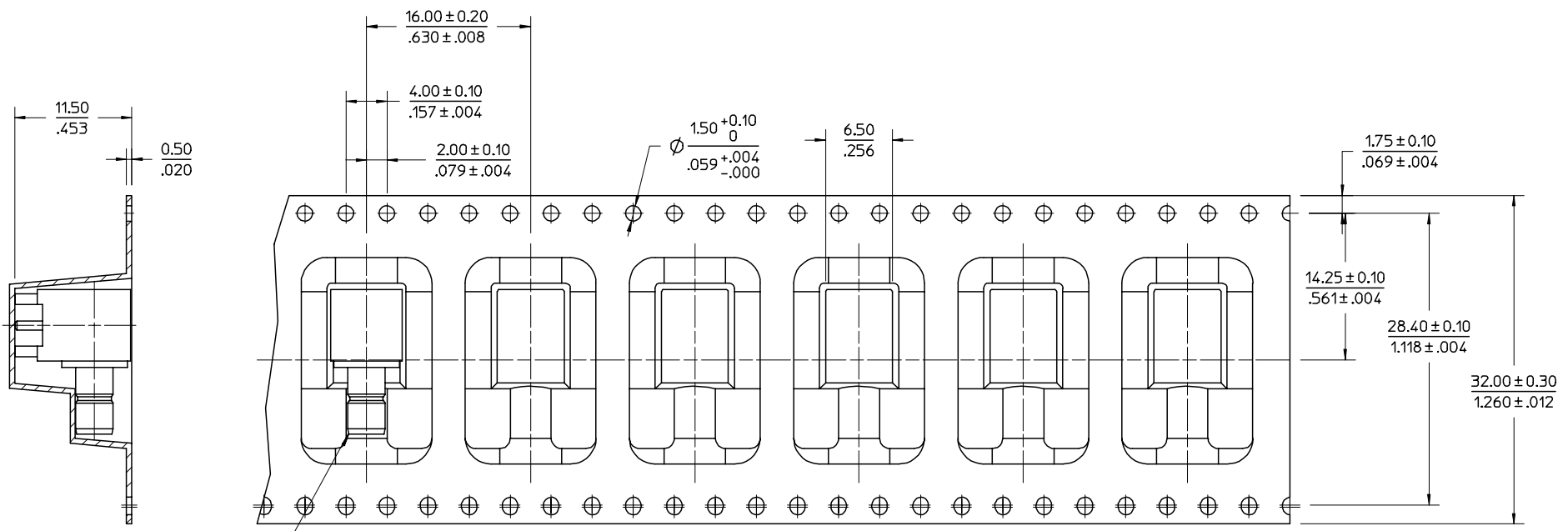
E E

D D

C C

B B

A A



MOLEX PART NO.:73396-0160

- NOTES:
1. 10 PITCHES CUMULATIVE TOLERANCE ±0.2
 2. 250 PIECES CONNECTORS MAX. PER REEL ON 13.0(330.2mm) REEL

SEE SHEET 1 EC NO: URF2005-0437 DRW:ELIN CHKD: APPR:MHUANG 2005/04/15 2005/04/26 2005/04/26	QUALITY SYMBOLS	GENERAL TOLERANCES (UNLESS SPECIFIED)	DIMENSION STYLE	SCALE	DESIGN UNITS	THIRD ANGLE PROJECTION															
	$\nabla = 0$ $\sphericalangle = 0$	<table border="1"> <thead> <tr> <th></th> <th>mm</th> <th>INCH</th> </tr> </thead> <tbody> <tr> <td>4 PLACES</td> <td>± ---</td> <td>± ---</td> </tr> <tr> <td>3 PLACES</td> <td>± ---</td> <td>± ---</td> </tr> <tr> <td>2 PLACES</td> <td>± 0.13</td> <td>± ---</td> </tr> <tr> <td>1 PLACE</td> <td>± 0.25</td> <td>± ---</td> </tr> </tbody> </table> ANGULAR ± 2 °		mm	INCH	4 PLACES	± ---	± ---	3 PLACES	± ---	± ---	2 PLACES	± 0.13	± ---	1 PLACE	± 0.25	± ---	MM/IN	---	METRIC	THIRD ANGLE PROJECTION
		mm	INCH																		
	4 PLACES	± ---	± ---																		
3 PLACES	± ---	± ---																			
2 PLACES	± 0.13	± ---																			
1 PLACE	± 0.25	± ---																			
DESCRIPTION	DRAWN BY: LYNN CHECKED BY: KERRIE APPROVED BY: MISEN DATE: 2005/04/12	TITLE	50 OHM SMB JACK R/A PCB SMB-J/RA/PCB																		
REV	MATERIAL NO. 73396-0160	MOLEX INCORPORATED MOLEX INCORPORATED	DOCUMENT NO.	SD-73396-016																	

DRAFT WHERE APPLICABLE
MUST REMAIN
WITHIN DIMENSIONS

SIZE
A3

THIS DRAWING CONTAINS INFORMATION THAT IS PROPRIETARY TO MOLEX INCORPORATED AND SHOULD NOT BE USED WITHOUT WRITTEN PERMISSION

9 8 7 6 5 4 3 2 1