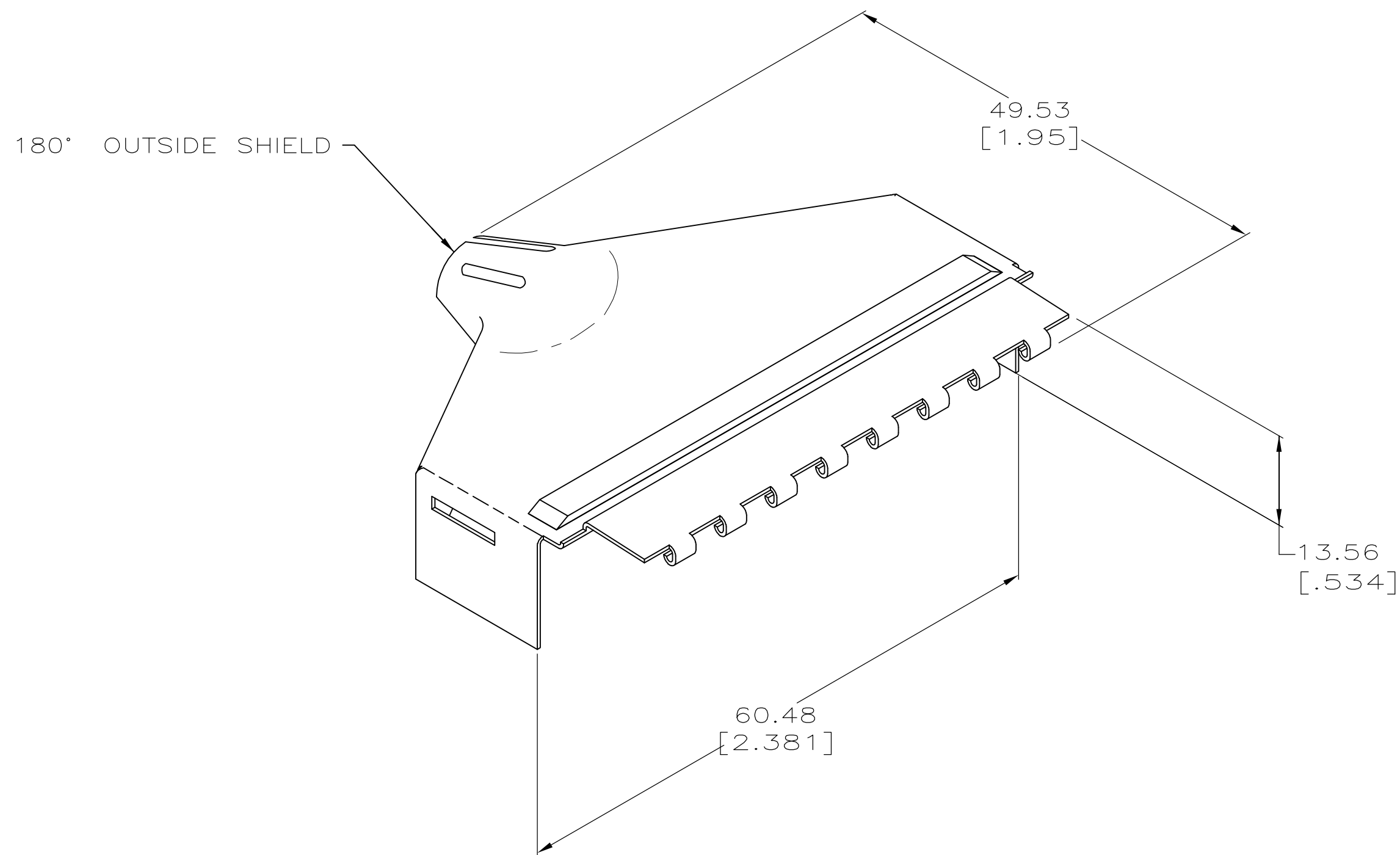


THIS DRAWING IS UNPUBLISHED. RELEASED FOR PUBLICATION
 © COPYRIGHT BY TYCO ELECTRONICS CORPORATION. ALL INTERNATIONAL RIGHTS RESERVED.

| LOC | DIST | REVISIONS | | | | | |
|-----|------|-----------|-----|---------------------------|----------|-----|------|
| AA | 20 | P | LTR | DESCRIPTION | DATE | DWN | APVD |
| | | B | | REVISED PER ECO-09-000015 | 9JAN2009 | ZMR | WLM |

- 1 MATERIAL: CARBON STEEL, 0.4[.016] THICK, BRIGHT NICKEL PLATED.
- 2. DIMENSIONS ARE MAXIMUM UNLESS OTHERWISE SPECIFIED.
- 3. CABLE RANGE: ϕ 8.89-15.88 [.350-.625].



| | |
|----------------|-------------|
| LAYER PACKAGED | 554329-3 |
| BULK PACKAGED | 554329-1 |
| PACKAGING | PART NUMBER |

| | | | | | | | |
|---|--|------------------|-------------|---------|---|------------|---------------|
| THIS DRAWING IS A CONTROLLED DOCUMENT. | | DWN | M.D. BYERLY | 11NOV83 | Tyco Electronics Corporation Harrisburg, PA 17105-3608 | | |
| DIMENSIONS: mm [INCHES] | | CHK | M. FRIEL | 30NOV83 | | | |
| TOLERANCES UNLESS OTHERWISE SPECIFIED: | | APVD | G. FOSTER | 03JAN84 | | | |
| 0 PLC ± - 1 PLC ± - 2 PLC ± - 3 PLC ± - 4 PLC ± - ANGLES ± - | | PRODUCT SPEC | NAME | | | | |
| MATERIAL | | WEIGHT | | SIZE | CAGE CODE | DRAWING NO | RESTRICTED TO |
| FINISH | | CUSTOMER DRAWING | | A2 | 00779 | C=554329 | - |
| SCALE | | SHEET | | REV | | | |
| 2:1 | | 1 of 1 | | B | | | |